

Electrical:


Six-Outlet Wet Power Strip located 14" from right side & 24" from floor.
 Eyeball Light is located 26" from right side & 72" from floor.
 Power & On-OFF switching provided on-site by licensed electrician.

Finish Schedule - 879-54-1

Face Color -
 Top Color -
 Toe Color - Queen Anne Legs
 Reveal / Accent Color -
 Hardware - Chrome Knobs
 Interior - Black Melamine
 Other (Specify) -

General Notes:

1. All counter tops are to be made removable wherever possible.
2. Items must be broken into manageable sections For Shipping. Mark For Ease Of Reassembly.
3. Install Shipping Cleats Wherever Possible To Prevent Shipping Damage.
4. Purchased items Must Be Trial Fit Before Shipping.

 Collins Manufacturing 2000 Bowser Road Cookeville, TN 38506		
Title: 879-54 Bradford Wet Station		
Size: NTS	Drawing Number: 69535	Drawn By: Brian
Date:	Sheet	

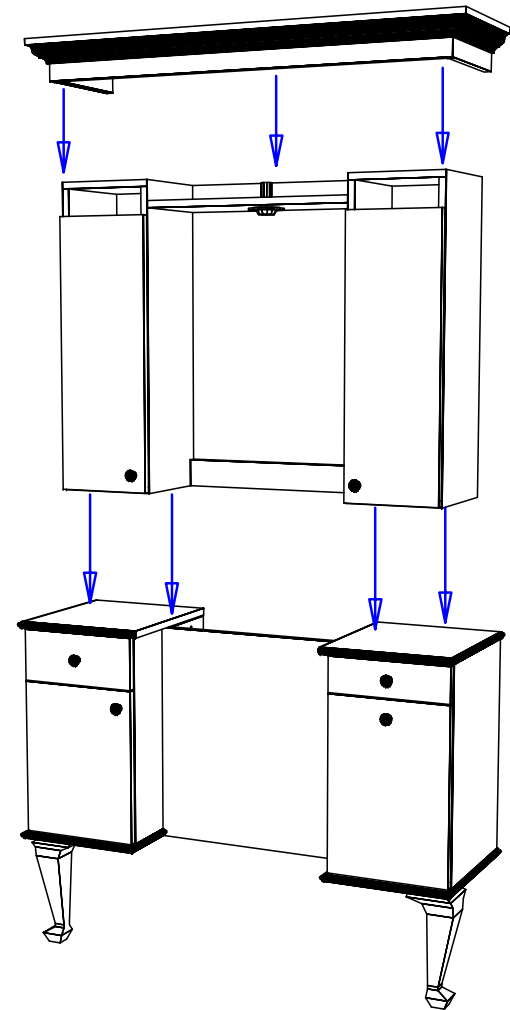
Attach adjacent cabinets, end panels, and support legs by fastening through the pre-drilled holes with the provided connector bolts. These bolts will thread into a factory installed threaded fastener, t-nut or provided matching connector nut depending upon the application and visibility of the fasteners. Some applications may require drilling holes on-site and the use of 1 ¼" wood screws and decorative washers.

This item includes a six outlet power strip with a 4' cord. The outlet strip is rated at 15 amps. The electrician is responsible for providing and mounting an outlet inside the cabinet for the power strip to plug into. The electrician is also responsible for cutting an appropriate entry point for getting power into the cabinet.

This item is attached to the wall with wood screws. 3" wood screws and decorative washers are provided for wood framed walls. Fasteners for other wall types are to be obtained locally. Screw through the back panel in locations which will be inconspicuous after installation. Suggested locations include: under shelves, behind drawers, and locations hidden by products or supplies.

Eyeball light fixtures are provided with a 2' cord. The electrician is responsible for providing an outlet for the light fixture to plug into. Bulbs are 25w - reflector type.

All electrical connections are to be made by a qualified electrician in accordance with all national, state, and local electrical codes.




Finish Schedule - 879-54-1

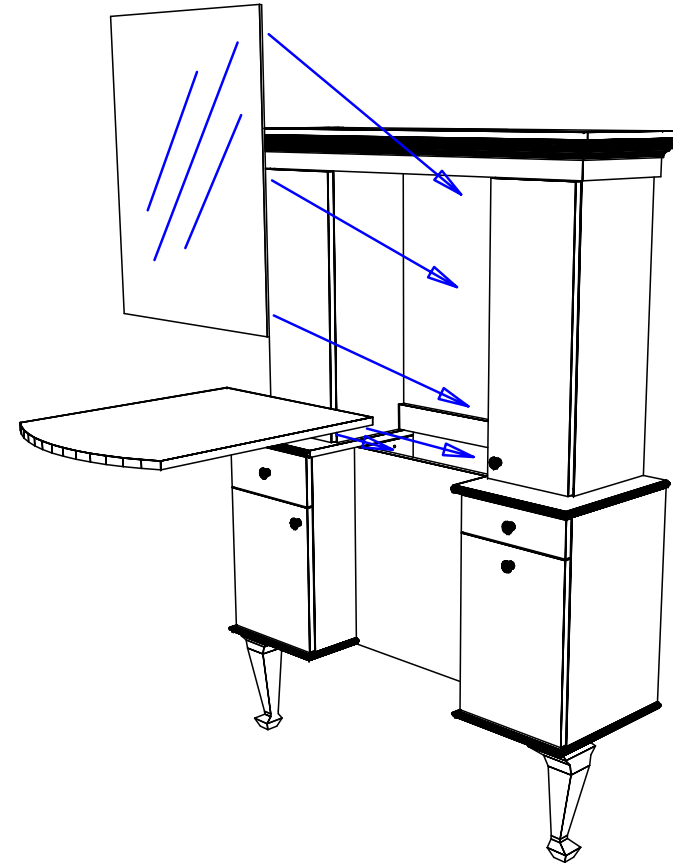
Face Color -
 Top Color -
 Toe Color - Queen Anne Legs
 Reveal / Accent Color -
 Hardware - Chrome Knobs
 Interior - Black Melamine
 Other (Specify) -

General Notes:

1. All counter tops are to be made removable wherever possible.
2. Items must be broken into manageable sections For Shipping. Mark For Ease Of Reassembly.
3. Install Shipping Cleats Wherever Possible To Prevent Shipping Damage.
4. Purchased items Must Be Trial Fit Before Shipping.

		Collins Manufacturing 2000 Bowser Road Cookeville, TN 38506	
Title: 879-54 Bradford Wet Station			
Size: NTS	Drawing Number: 69535	Drawn By: Brian	
Date:			Sheet

Mirrors are provided with mirror clips and wood screws. Attach one mirror clip at each corner approximately 2" in from the vertical edge. Two different sizes of screws are provided: 3/4" screws for attaching the mirror to wood cabinet components and 1" screws for going through gypsum board into a wood framed stud wall. Fasteners for attaching mirrors to other wall types are to be provided by the installer.




Lift lids are attached to the bulkhead cabinets by inserting the shoulder bolt through the metal bracket (attached to the lift lid) and plastic spacer into the factory installed threaded fastener. Tighten snugly but do not over tighten. Make sure that lift lid remained in the upright position after being raised.

Finish Schedule - 879-54-1

Face Color -
 Top Color -
 Toe Color - Queen Anne Legs
 Reveal / Accent Color -
 Hardware - Chrome Knobs
 Interior - Black Melamine
 Other (Specify) -

General Notes:

1. All counter tops are to be made removable wherever possible.
2. Items must be broken into manageable sections For Shipping. Mark For Ease Of Reassembly.
3. Install Shipping Cleats Wherever Possible To Prevent Shipping Damage.
4. Purchased items Must Be Trial Fit Before Shipping.

			Collins Manufacturing 2000 Bowser Road Cookeville, TN 38506		
Title: 879-54 Bradford Wet Station					
Size:	NTS	Drawing Number:	69535	Drawn By:	Brian
Date:				Sheet	