

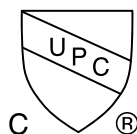
MODEL E140



- The E140 Adjust-a-Sink System elevates the shampoo bowl a total of 14” vertically.
- Height distance from the floor to the neck opening of the bowl ranges from 29” to 43”
- The basic dimensions of a unit in the “down” position are: 22” Wide, 27” Deep and 34” High (to the top of the backsplash)
- A touchpad controlled electric lift elevates the shampoo bowl (requires 120V GFCI outlet)
- Components are manufactured from stainless steel, aluminum and coated steel. The design has proven to provide years of trouble-free service when properly cleaned and maintained.

LEAD TIME: about 4 weeks for standard colors - 5 weeks for special color laminate and bowls.

PAYMENT METHODS: Credit card, or check in advance.



cUPC Listed
File #5496



Certified to Electrical
Safety Standards
File #E10062

Model E140 Standard Configurations:

- Comfort Fit #3050 Solid Surface Shampoo Bowl (Black or White)
 - Complete with 550 Faucet, 1729 Vacuum Breaker, and Spray Hose
- Basket Strainer for Shampoo Bowl (Supplied by Accessible Systems, Inc.)
- Durable Painted Steel Drain Shroud
- Hot & Cold Water Supply Lines (1/2: FIP to 3/8 comp)
 - PLEASE NOTE: We do not supply the hot and cold shut off valves
- Patent Pending Rigid Telescoping Plumbing
 - PLEASE NOTE: We do not supply the 1 1/2" "P" trap
- Backsplash of Wilsonart laminate which is available in 2 standard colors:
 - Black or Frosty White
- 2 year warranty on all parts.

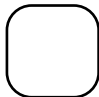




Photo of Standard E140 with optional Stainless Steel Shroud and CF #3050 Bowl



Fixture Choices for Model E140



ORDER CHECKLIST FOR E140 MODEL ONLY

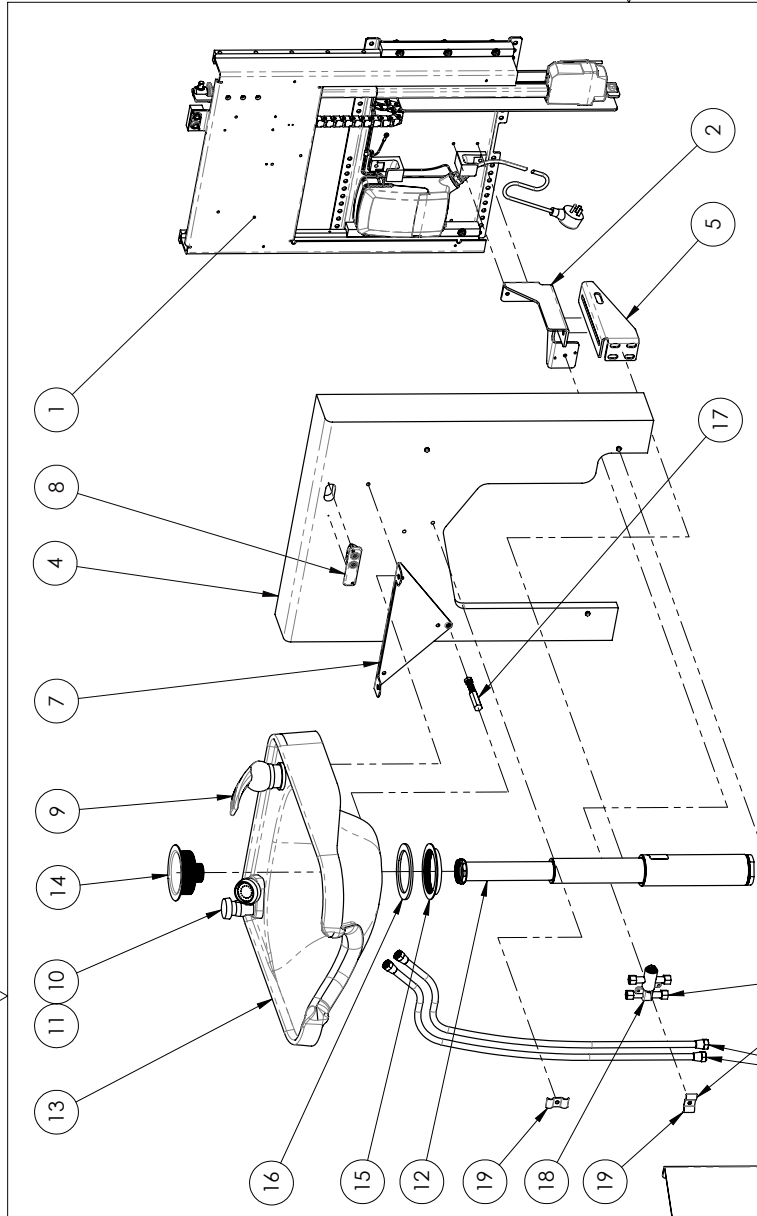
<input type="checkbox"/> Comfort Fit #3050	Bowl Selection - Model E140 is only compatible with our Comfort Fit #3050 Bowl
<input type="checkbox"/> Black <input type="checkbox"/> White <input type="checkbox"/> Other: _____	Bowl Color - Standard white and black ship the quickest. Choose from : <div style="display: flex; justify-content: center; gap: 20px; align-items: center;"> <div style="text-align: center;"> White</div> <div style="text-align: center;"> Black</div> <div style="text-align: center;"> Almond</div> <div style="text-align: center;"> Red</div> <div style="text-align: center;"> Bone</div> </div>
<input type="checkbox"/> 550 Faucet / 1729 VB <input type="checkbox"/> 800 3 in 1	Fixture Choice - 550 Fixture Set (single lever valve with whiz sprayer on the opposite corner) comes standard. Optional up-grade to 800 Fixture (3 in 1 design with pull out spray head)
<input type="checkbox"/> Black <input type="checkbox"/> White <input type="checkbox"/> Custom (mfr/color): _____	Laminate Color Choice - <u>Stock laminate</u> colors included in base price are: Black (Wilsonart 1595-60) and White (Wilsonart 1573-60). If requesting a <u>special laminate</u> please provide the manufacturer's name and color code number. There will be a modest up-charge for custom color choices - please call for a quote.
<input type="checkbox"/> Horizontal <input type="checkbox"/> Vertical	Grain Orientation for Custom Laminates - For Custom Laminate choices please indicate the orientation of the grain (if applicable).
<input type="checkbox"/> Black <input type="checkbox"/> White <input type="checkbox"/> Stainless Steel	Shroud Color - Black and White are included in the base price. Optional upgrade to a Stainless Steel shroud is available for an up charge.
QTY _____	Number of units being ordered.
<input type="checkbox"/> 1701 Poly Hair Trap <input type="checkbox"/> 8750 Cast Iron Hair Trap <input type="checkbox"/> 750 Chrome Hair Trap	Optional Hair Interceptor - Do you need a hair trap? We offer three (3) choices of optional hair interceptors/traps.
<input type="checkbox"/> 1070 Mixing Valve	Optional Anti-Scald Mixing Valve - Are you required to have an anti-scald mixing valve? We offer a kit with ASSE 1070 valve that can be installed on the mounting panel.

Ship to Contact:
(name, number) _____

Project Name
and Location: _____

Ship to Address: _____

ITEM	QTY	FILE NUMBER	TITLE
1	1	40550	LIFT UNIT - E140
2	1	40340	DRAIN SUPPORT BRACKET
3	1	40360	SHROUD - LH
4	1	40420	FRONT PANEL
5	1	40460	DRAIN CLAMP BRACKET
6	1	40480	SHROUD - RH
7	1	40540	SINK BRACKET
8	1	40560	CONTROL ASSEMBLY
9	1	K100-83-1	FAUCET
10	1	K100-83-2	VACUUM BREAKER
11	1	K100-83-5	SPRAY HOSE
12	1	T1514	TELESCOPING DRAIN - MODEL T1514
13	1	MODEL 3050	SHAMPOO SINK - MODEL 3050
14	1	20260	SINK BASKET STRAINER
15	1	BASKET STRAINER NUT (REF)	BASKET STRAINER NUT (REF)
16	1	BASKET STRAINER GASKET	BASKET STRAINER GASKET (REF)
17	1	LEVELING BOLT	LEVELING BOLT (REF)
18	1	MIXING VALVE	MIXING VALVE (REF)
19	2	WATER HOSE CLAMP	WATER HOSE CLAMP (REF)



NOTES:

1. LOWER ITEM 19 (CLAMP) INDICATED CAN BE USED IF ITEM 18 OPTION (MIXING VALVE) IS NOT SELECTED

ZONE	REV.	DESCRIPTION	DATE	APPROVED
	A	INITIAL RELEASE	4/2/2017	A. OLSON
	B	ADDED MIXING VALVE	3/4/2018	A. OLSON
	C	UPDATED BOM ENTRIES	3/21/2018	A. OLSON

REVISIONS

SEE NOTES
WATER HOSES (REF)

MM INCH
75.4MM=1 INCH
TOLERANCES EXCEPT AS NOTED

INCHES	.0 ± .1
MM	.00 ± .01
ANGLES	± 0.5°

MATERIAL
FINISH

THIRD ANGLE PROJECTION

DRAWER: AJW
DESIGNER: A. OLSON
CHECKER: A. OLSON
CUSTOMER APPROVAL:

DATE: 04-02-17
DATE: 03-12-17
DATE:

ACCESSIBLE SYSTEMS, INC.
9917 13TH AVENUE NORTH - MPLS, MN 55441 PHONE: 612. 238. 4600

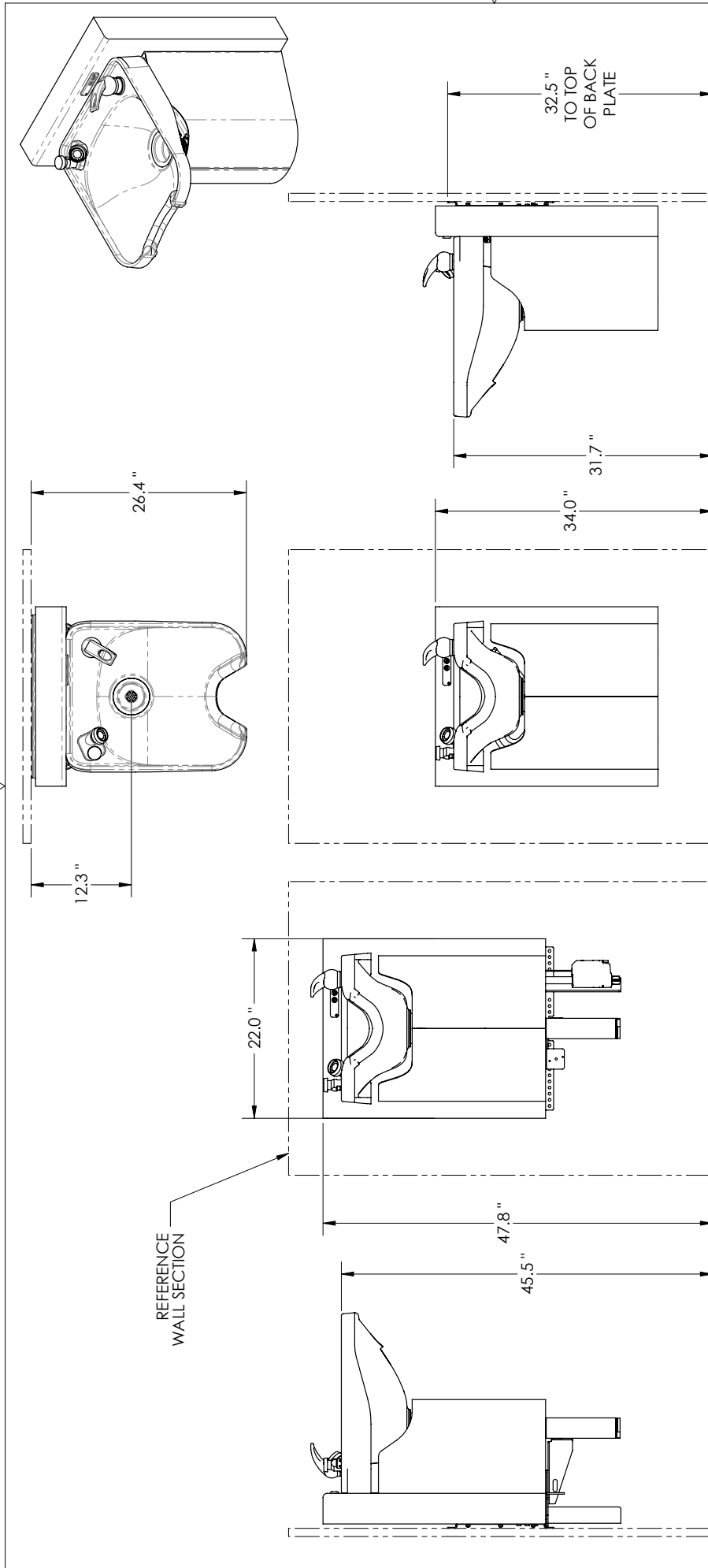
TELESCOPING DRAIN - AUTO

PROPRIETARY AND CONFIDENTIAL
The information contained in this drawing is sole property of Accessible Systems, Inc.
Any reproduction in whole or in part without written permission is strictly prohibited.

SEE DRAWING NO. **E140**

DO NOT SCALE DRAWING
WWW.ADJUSTASINK.COM

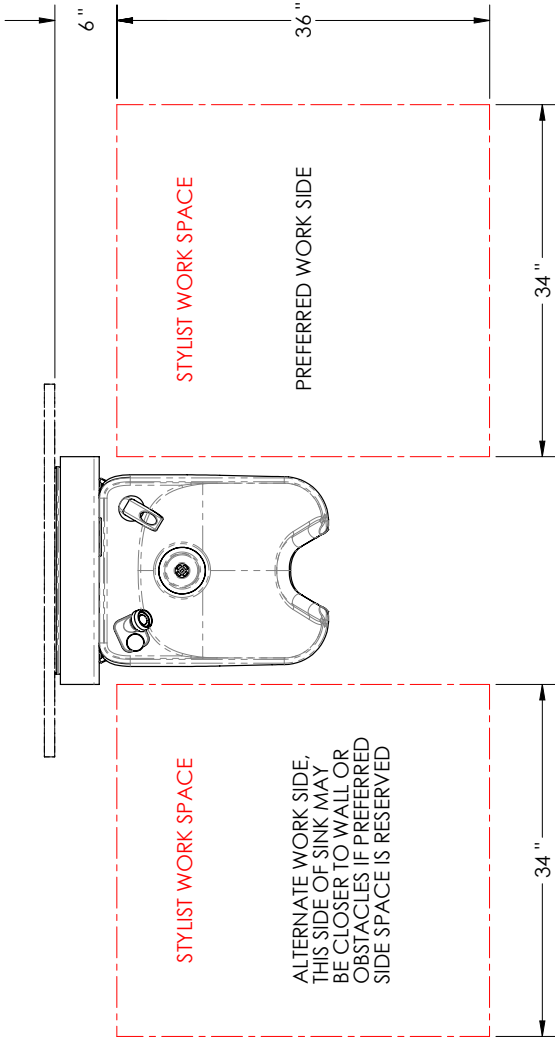
1 OF 3



NEXT ASY

		DRAWER	DATE
TOLERANCES EXCEPT AS NOTED INCHES: .0 ± .1 .00 ± .01 .000 ± .005 ANGLES: ± 0.5° MATERIAL: FINISH:		AJW	04-02-17
DRAFTSMAN DESIGNER CHECKER CUSTOMER APPROVAL		A. OLSON	03-12-17
THIRD ANGLE PROJECTION			
ACCESSIBLE SYSTEMS, INC. 9917 13TH AVENUE NORTH - MPLS, MN 55441 PHONE: 612 . 238 . 4600 TITLE: TELESCOPING DRAIN - AUTO PROPRIETARY AND CONFIDENTIAL The information contained in this drawing is sole property of Accessible Systems, Inc. Any reproduction in whole or in part without written permission is strictly prohibited.			
SIZE	DRAWING NO.	DO NOT SCALE DRAWING	WWW.ADJUSTASINK.COM
B	E140		2 OF 3

RESERVE WORK SPACE FOR SYLIST IN SALON PLAN. IF MULTIPLE SINKS ARE BEING INSTALLED ALONG THE SAME WALL, SPACE AT 54" OR GREATER ON CENTER



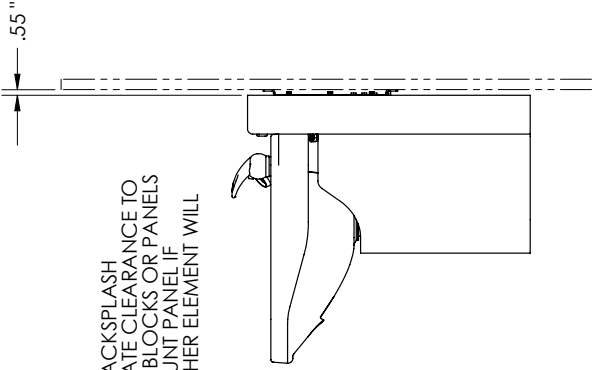
STYLIST WORK SPACE

ALTERNATE WORK SIDE, THIS SIDE OF SINK MAY BE CLOSER TO WALL OR OBSTACLES IF PREFERRED SIDE SPACE IS RESERVED

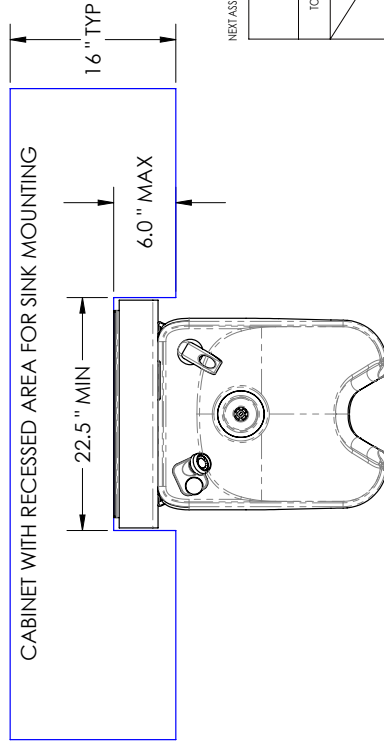
STYLIST WORK SPACE

PREFERRED WORK SIDE

THE ADJUSTABLE BACKSPLASH REQUIRES ADEQUATE CLEARANCE TO LIFT. ADD SPACER BLOCKS OR PANELS BEHIND WALL MOUNT PANEL IF TRIMWORK OR OTHER ELEMENT WILL INTERFERE.



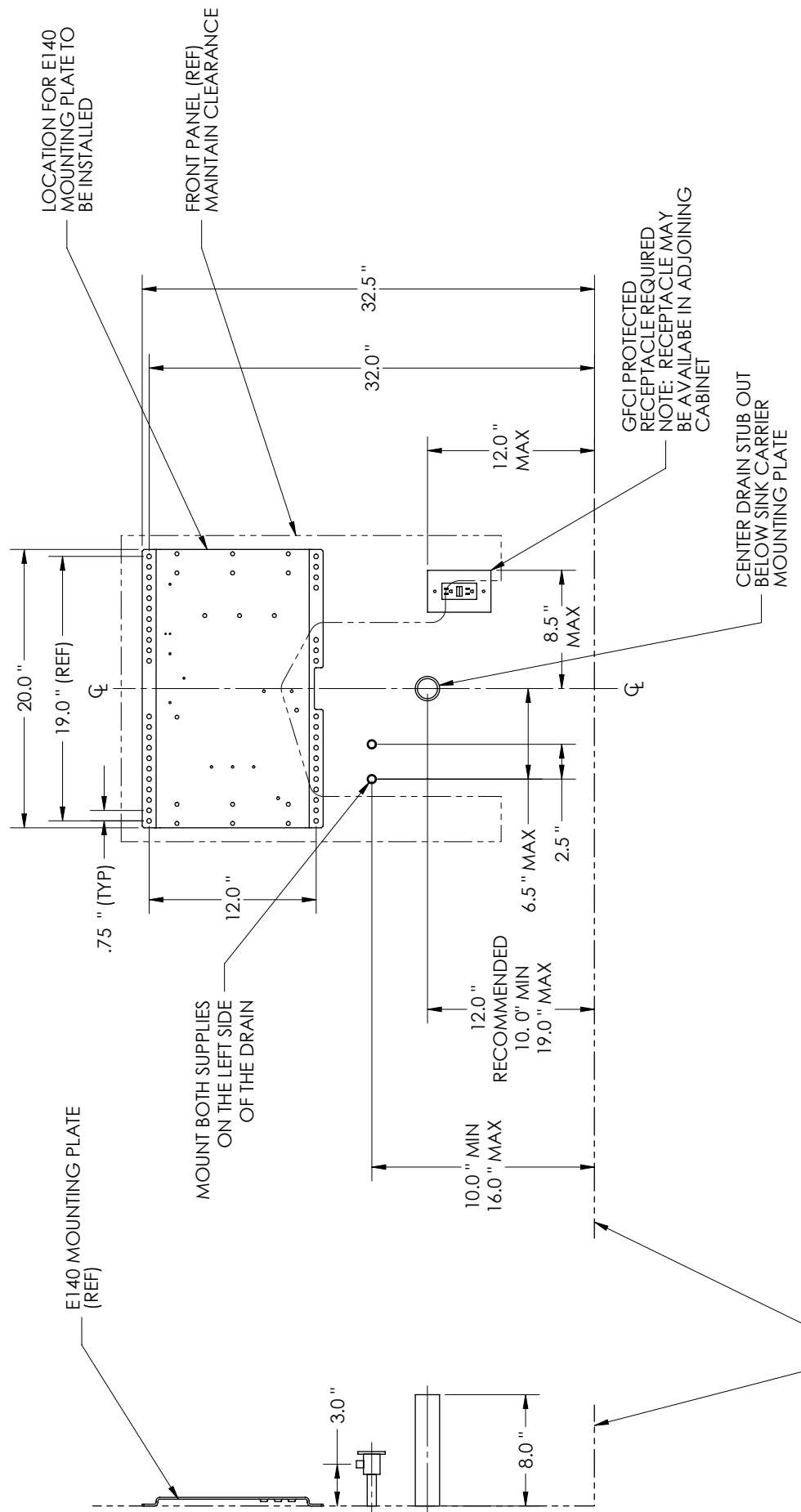
CABINET WITH RECESSED AREA FOR SINK MOUNTING



THE ADJUST-A-SINK MAY BE MOUNTED FLUSH TO A WALL OR FRONT FACE OF CABINETS. THE UNIT MAY ALSO BE RECESSED FROM CABINET FACE BY A MAXIMUM OF 6"

NEXT ASSY

<p>DATE 04-02-17</p> <p>DATE 03-12-17</p> <p>DATE</p> <p>DATE</p>		<p>DRAWER AJW</p> <p>DESIGNER A. OLSON</p> <p>CHECKER</p> <p>CUSTOMER APPROVAL</p>		<p>DATE</p> <p>DATE</p> <p>DATE</p>		<p>DATE</p> <p>DATE</p> <p>DATE</p>	
<p>MM/MINCH</p> <p>25.4MM=1 INCH</p>		<p>INCHES</p> <p>.0 ± .1</p> <p>.00 ± .01</p> <p>.000 ± .005</p>		<p>MM</p>		<p>ANGLES ± 0.5°</p>	
<p>TOLERANCES EXCEPT AS NOTED</p>		<p>FINISH</p>		<p>MATERIAL</p>		<p>THIRD ANGLE PROJECTION</p>	
<p>ACCESSIBLE SYSTEMS, INC.</p> <p>9917 13TH AVENUE NORTH - MPLS, MN 55441 PHONE: 612 . 238 . 4600</p>		<p>TELESCOPING DRAIN - AUTO</p>		<p>PROPRIETARY AND CONFIDENTIAL</p> <p>The information contained in this drawing is sole property of Accessible Systems, Inc. Any reproduction in whole or in part without written permission is strictly prohibited.</p>		<p>SIZE B</p> <p>DRAWING NO. E140</p> <p>DO NOT SCALE DRAWING</p> <p>WWW.ADJUSTASINK.COM</p> <p>3 OF 3</p>	



<p>ACCESSIBLE SYSTEMS, INC. 9917 13TH AVENUE NORTH - MPLS, MN 55441 PHONE: 612 . 238 . 4600</p>		<p>DATE 04-02-17</p>
<p>DRAWER AJW</p>	<p>DESIGNER A. OLSON</p>	<p>DATE 03-12-17</p>
<p>CHECKER A. OLSON</p>		<p>DATE</p>
<p>CUSTOMER APPROVAL</p>		<p>DATE</p>
<p>FINISH</p>		<p>THIRD ANGLE PROJECTION</p>
<p>MATERIAL</p>		<p>SIZE B</p>
<p>ANGLES ± 0.5°</p>		<p>DRAWING NO. E140</p>
<p>TOLERANCES EXCEPT AS NOTED</p> <p>INCHES .0 ± .1 .00 ± .01 .000 ± .005</p>		<p>DO NOT SCALE DRAWING</p>
<p>MM X</p>		<p>WWW.ADJUSTASINK.COM</p>
<p>FINISHED FLOOR (REF)</p>		<p>4 OF 4</p>

PROPRIETARY AND CONFIDENTIAL
 The information contained in this drawing is sole property of Accessible Systems, Inc.
 Any reproduction in whole or in part without written permission is strictly prohibited.