

MODEL K100V



- The K100-V Adjust-a-Sink System elevates the shampoo bowl a total of 12” vertically.
- Height distance from the floor to the neck of the bowl ranges from 31”-43”
- The basic dimensions of a unit in the “down” position are: 22” Wide, 27” Deep and 36” High (to the top of the backsplash)
- A self-contained maintenance free foot operated hydraulic pump provides the lift capacity needed to raise the shampoo bowl. The hydraulic pump’s foot pedal is free to rotate approximately 90 degrees to the side anytime the operator requires.
- Components are manufactured from stainless steel, aluminum and coated steel. The design has proven to provide years of trouble-free service when properly cleaned and maintained.
- Manufactured to be compatible with the Belvedere 8400K bowl.

LEAD TIME: About 4 weeks.

PAYMENT METHODS: Credit card, or check in advance.

Model K100V Standard Configurations:

- Belvedere 8400K Cast Iron Bowl
 - Complete with 522 Faucet, 403 Vacuum Breaker, and Spray Hose
 - Standard Colors are Black and White
- Basket Strainer for Shampoo Bowl (Supplied by Accessible Systems, Inc)
- Durable Painted Steel Drain Shroud in Black, White or Almond
- Hot & Cold Water Supply Lines (1/2: FIP to 3/8 comp)
 - PLEASE NOTE we do not supply the hot and cold shut off valves
- Patent Pending Hard Telescoping Plumbing
 - PLEASE NOTE we do not supply the 1 1/2" "P" trap
- Easy-to-Use Hydraulic Pump - made in the USA - 5 Year Warranty
- 2 year warranty on all other parts and workmanship
- Backboard & backsplash of Wilsonart laminate which is available in 3 standard colors:
 - Frosty White, Black or Almond

Photo of Standard White Configuration with Belvedere Bowl

	
<p>K100-V standard WHITE -WHITE Belvedere 8400K -Wilsonart 1573-60 Frosty White -WHITE Painted Shroud</p>	<p>522 Fixture with 403 VB Includes ASSE 1001 Vacuum Breaker Optional - 503 VB available</p>

ORDER CHECKLIST FOR K100V MODEL ONLY

<input type="checkbox"/> Belvedere 8400K	Bowl Selection - Compatible only with Belvedere 8400K Bowl (Not recommended for providing shampoo service to persons in wheelchairs.)
<input type="checkbox"/> Black <input type="checkbox"/> White <input type="checkbox"/> Other: _____	Bowl Color - Standard black and white ship the quickest. See next page for other bowl color choices.
<input type="checkbox"/> 522 Faucet / 403 VB <input type="checkbox"/> 522 Faucet / 503 VB	Fixture Choice - 522 Fixture Set and 403 Vacuum Breaker comes standard. Up-charge applies to 503 Vacuum Breaker.
<input type="checkbox"/> Black <input type="checkbox"/> White <input type="checkbox"/> Almond <input type="checkbox"/> Custom (mfr/color): _____	Laminate Color Choice - <u>Stock laminate</u> colors included in base price are: Black (Wilsonart 1595-60), White (Wilsonart 1573-60) and Almond (Wilsonart D30-60). If requesting a <u>special laminate</u> please provide the manufacturer's name and color code number. There will be a modest up-charge for custom color choices - please call for a quote.
<input type="checkbox"/> Horizontal <input type="checkbox"/> Vertical	Grain Orientation for Custom Laminates - For Custom Laminate choices please indicate the orientation of the grain (if applicable).
<input type="checkbox"/> Black <input type="checkbox"/> White <input type="checkbox"/> Almond <input type="checkbox"/> Stainless Steel	Shroud Color - Black, white and almond are included in the base price. Optional upgrade to a Stainless Steel shroud is available for an up charge.
QTY _____	Number of units being ordered.
<input type="checkbox"/> 1701 Poly Hair Trap <input type="checkbox"/> 8750 Cast Iron Hair Trap <input type="checkbox"/> 750 Chrome Hair Trap	Optional Hair Interceptor - Do you need a hair trap? We offer three (3) choices of optional hair interceptors/traps.
<input type="checkbox"/> 1070 Mixing Valve	Optional Anti-Scald Mixing Valve - Are you required to have an anti-scald mixing valve? We offer a kit with ASSE 1070 valve that can be installed on the mounting panel.

Ship to Contact:
(name, number) _____

Project Name
and Location: _____

Ship to Address: _____

K100V BOWL COLOR OPTIONS

Belvedere 8400K Bowl Color Options



PE005
Imperial Blue



PE006
New Plum



PE008
Slate Gray



PE011
Parchment



PE016
Sepia



PE018
Beige



PE040
Deep Grey



PE043
Rain Forest



PE051
Francesca Rose



PE053
Sahara



PE059
Pastel Citron



PE221
Gold



PE462
Stone



PE701
Midnight Blue



PE705
Pearl Grey



PE2727
Royal Blue



PE728
Soft Black



PE729
Forest Green



PE731
Bahama Beige



PE733
White



PE734
Dove



PE771
Red Wine



PE722
Pueblo



PE773
Gunpowder



PE774
Brownie



PE775
Jet Blue



PE776
Teal



PE983
Chestnut

Belvedere 8400K Mica Finish Color Options



PE521
Bronze



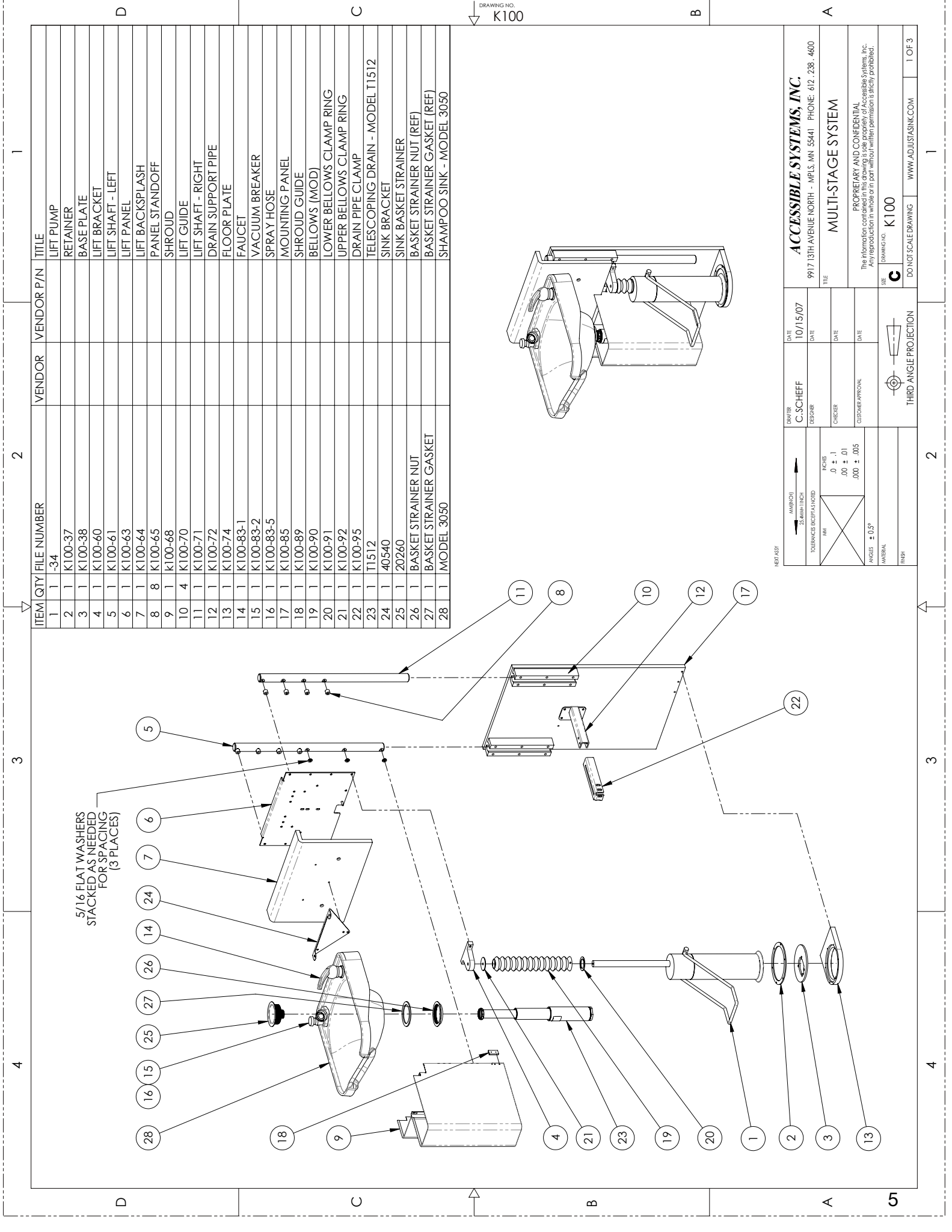
PE522
Pewter



PE525
Pearl



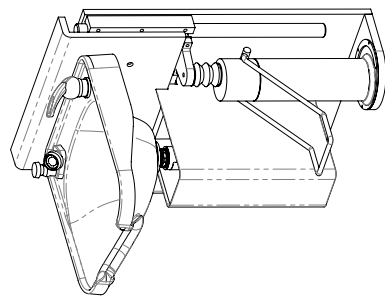
PE727
Opal Ice



ITEM	QTY	FILE NUMBER	VENDOR	VENDOR P/N	TITLE
1	1	-34			LIFT PUMP
2	1	K100-37			RETAINER
3	1	K100-38			BASE PLATE
4	1	K100-60			LIFT BRACKET
5	1	K100-61			LIFT SHAFT - LEFT
6	1	K100-63			LIFT PANEL
7	1	K100-64			LIFT BACKSPASH
8	8	K100-65			PANEL STANDOFF
9	1	K100-68			SHROUD
10	4	K100-70			LIFT GUIDE
11	1	K100-71			LIFT SHAFT - RIGHT
12	1	K100-72			DRAIN SUPPORT PIPE
13	1	K100-74			FLOOR PLATE
14	1	K100-83-1			FAUCET
15	1	K100-83-2			VACUUM BREAKER
16	1	K100-83-5			SPRAY HOSE
17	1	K100-85			MOUNTING PANEL
18	1	K100-89			SHROUD GUIDE
19	1	K100-90			BELLOWS (MOD)
20	1	K100-91			LOWER BELLOWS CLAMP RING
21	1	K100-92			UPPER BELLOWS CLAMP RING
22	1	K100-95			DRAIN PIPE CLAMP
23	1	T1512			TELESCOPING DRAIN - MODEL T1512
24	1	40540			SINK BRACKET
25	1	20260			SINK BASKET STRAINER
26	1	BASKET STRAINER NUT			BASKET STRAINER NUT (REF)
27	1	BASKET STRAINER GASKET			BASKET STRAINER GASKET (REF)
28	1	MODEL 3050			SHAMPOO SINK - MODEL 3050

5/16 FLAT WASHERS
STACKED AS NEEDED
FOR SPACING
(3 PLACES)

DRAWING NO.
K100



KEY ASY

 NORTH 25 MM INCH	DATE 10/15/07	DRAWER C.S.CHEFF	DATE 10/15/07
TOLERANCES UNLESS NOTED FRACTIONS .0 ± .1 .00 ± .01 .000 ± .005	CHECKER	CUSTOMER APPROVAL	DATE
ANGLES ± 0.5°	THIRD ANGLE PROJECTION		
MATERIAL FINISH	DRAWING NO. K100		

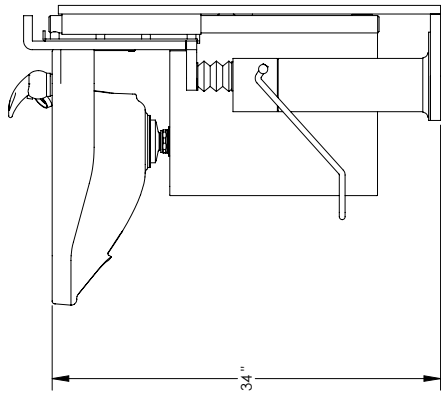
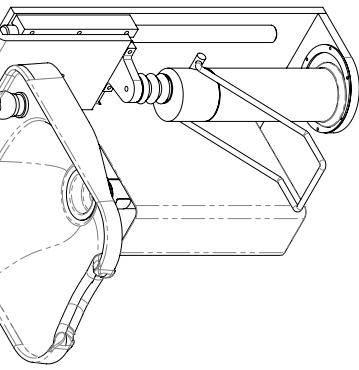
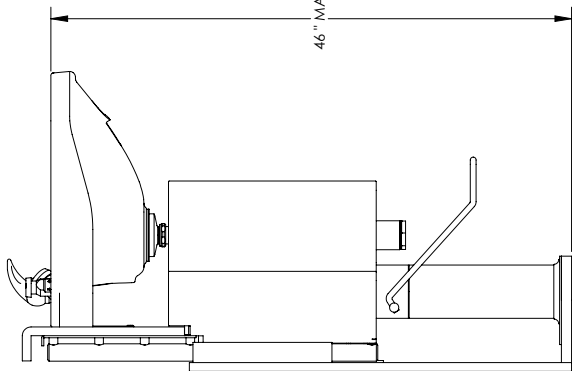
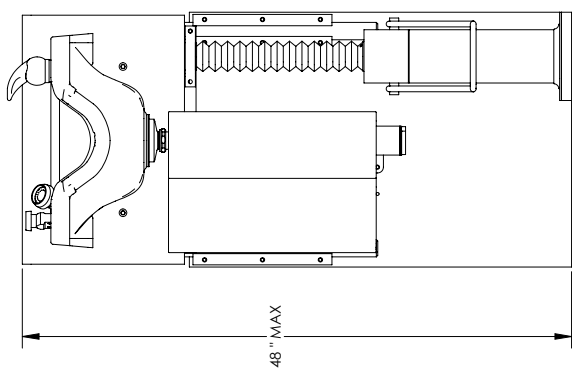
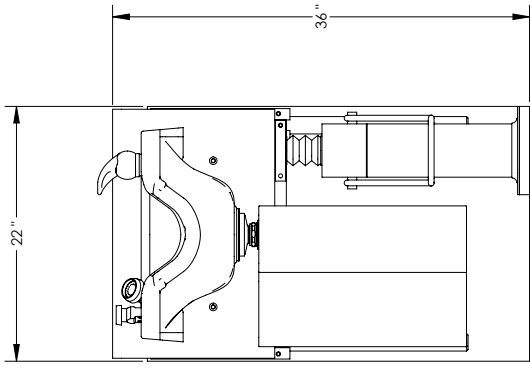
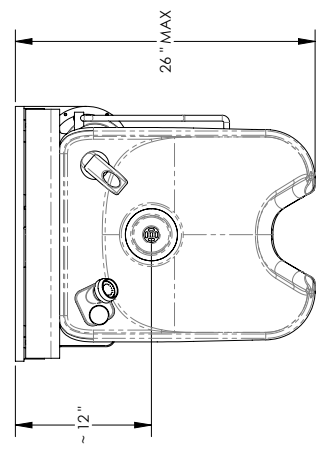
ACCESSIBLE SYSTEMS, INC. 9917 13TH AVENUE NORTH - MPLS, MN 55441 PHONE: 612.238.4600	
TITLE MULTI-STAGE SYSTEM	
PROPRIETARY AND CONFIDENTIAL The information contained in this drawing is the property of Accessible Systems, Inc. Any reproduction in whole or in part without written permission is strictly prohibited.	
DO NOT SCALE DRAWING	WWW.ADJUSTASINK.COM
1 OF 3	1

D

C

B

A



DESIGNER C. SCHEFF	DATE 10/15/07	ACCESSIBLE SYSTEMS, INC. 9917 13th Avenue North - MPLS, MN 55441 PHONE: 612.238.4600	
CHECKER	DATE	TITLE MULTI-STAGE SYSTEM	
CUSTOMER APPROVAL	DATE	PROPRIETARY AND CONFIDENTIAL The information contained in this drawing is the property of Accessible Systems, Inc. Any reproduction in whole or in part without written permission is strictly prohibited.	
NEXT ASST DIMENSIONS EXCEPT AS NOTED DIMENSIONS IN INCHES ANGLES ± 0.5° MATERIAL FINISH	DIMENSIONS EXCEPT AS NOTED DIMENSIONS IN INCHES ANGLES ± 0.5° MATERIAL FINISH	SIZE B DRAWING NO. K100	DO NOT SCALE DRAWING WWW.ADJUSTASINK.COM 2 OF 3



THIRD ANGLE PROJECTION

1

2

3

4

1

2

3

4

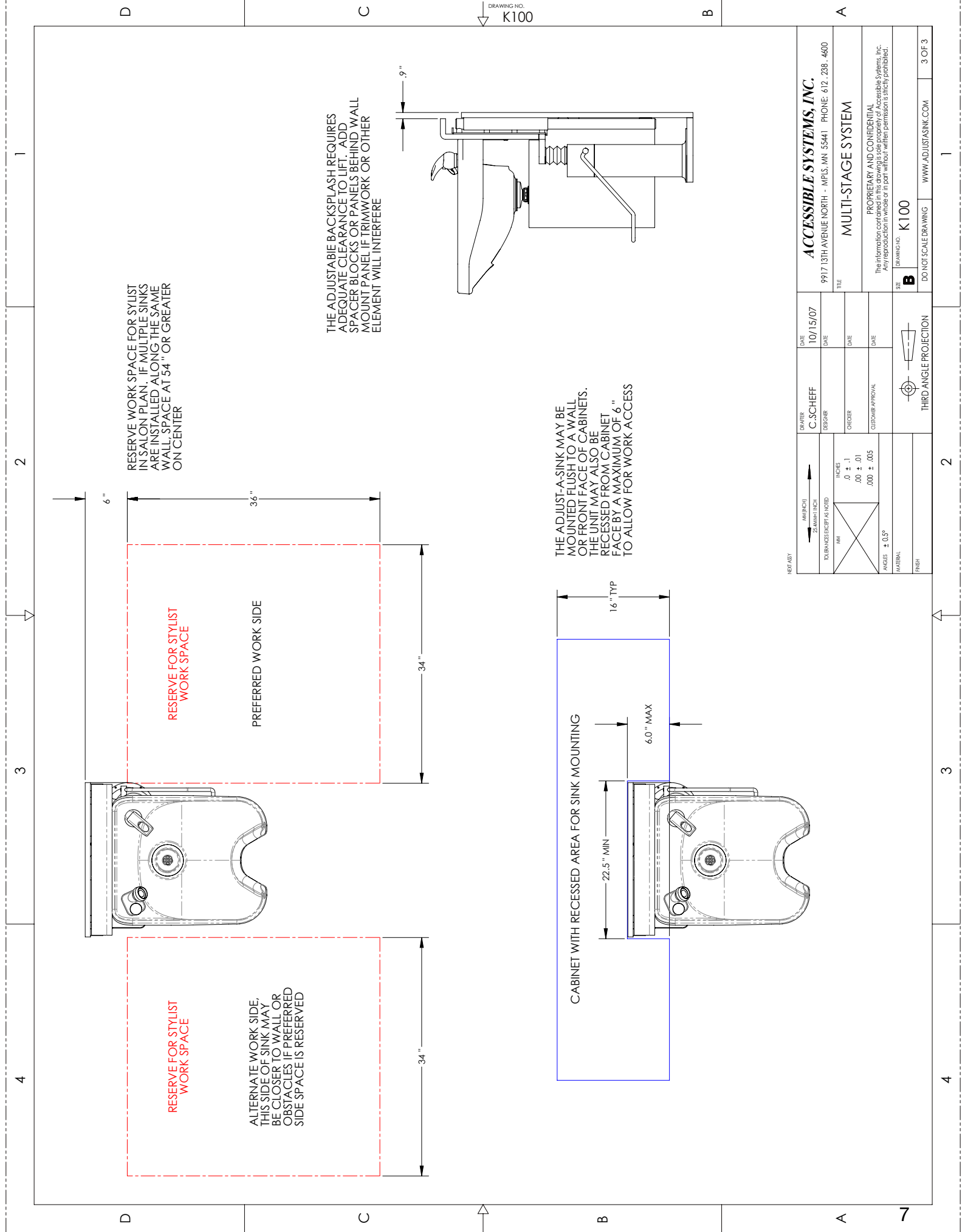
D

C

B

A

6



DRAWING NO. K100

DATE	10/15/07	DATE	
DESIGNER	C. SCHEFF	CHECKER	
CUSTOMER APPROVAL		DATE	
<p>ACCESSIBLE SYSTEMS, INC. 9917 13TH AVENUE NORTH - MPLS, MN 55411 PHONE: 612. 288 - 4600</p>			
<p>MULTI-STAGE SYSTEM</p>			
<p>PROPRIETARY AND CONFIDENTIAL The information contained in this drawing is the property of Accessible Systems, Inc. Any reproduction in whole or in part without written permission is strictly prohibited.</p>			
SIZE	B	DRAWING NO.	K100
		THIRD ANGLE PROJECTION	
DO NOT SCALE DRAWING WWW.ADJUSTASINK.COM			
3 OF 3			

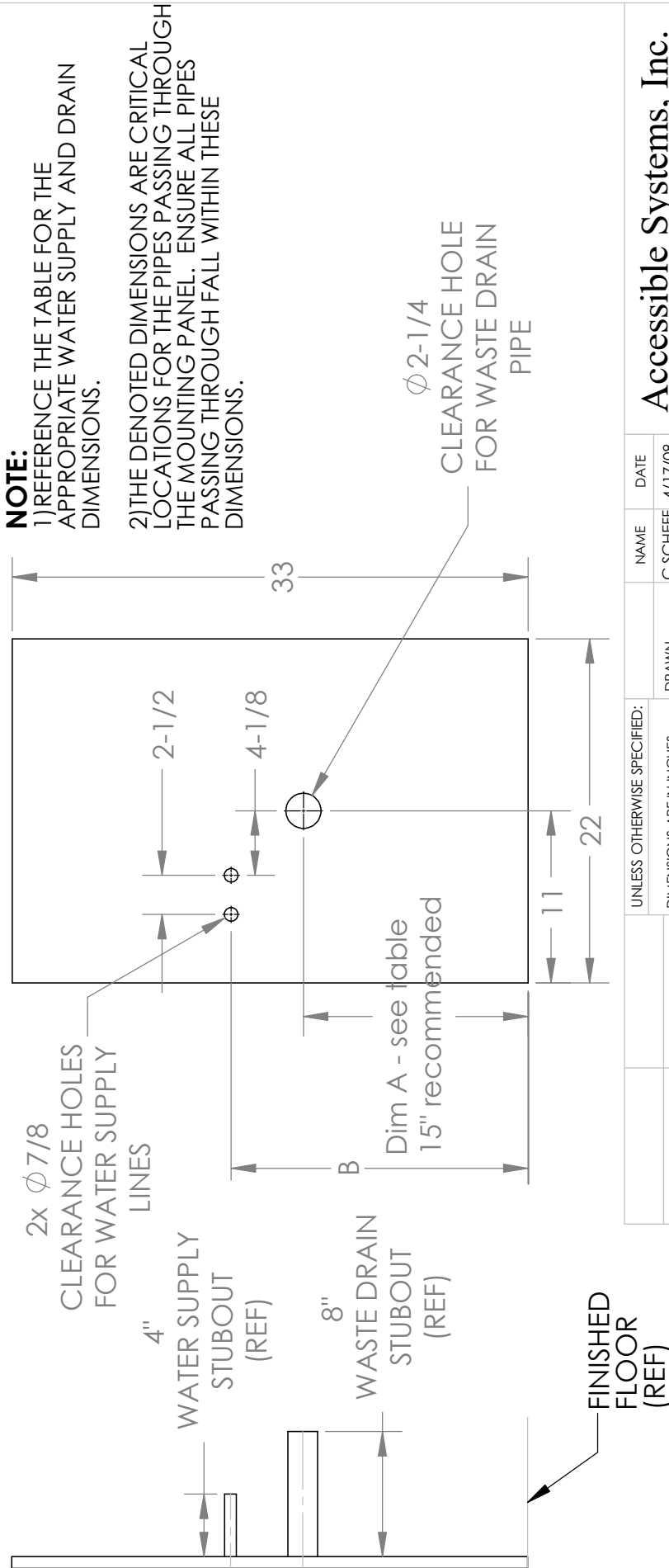
NEPT ASY

<p>UNITS: MILLIMETER / 25.4MM INCH</p> <p>TOLERANCES EXCEPT AS NOTED</p> <p>INCHES: .0 ± .1, .00 ± .01, .000 ± .005</p> <p>MM: .0 ± .1, .00 ± .01, .000 ± .005</p> <p>ANGLES: ± 0.5°</p> <p>MATERIAL: _____</p> <p>FINISH: _____</p>
--

Waste Drain and Water Supply Configurations			Without Mixing Valve Kit	WITH Mixing Valve Kit
Description	Drain Type	Dimension A Min	Dimension B Max	Dimension B Min
"Rough In" New construction or remodel	Standard with or without Hair Trap	10"	19"	3"

NOTE: FOR USE WITH COMFORT FIT #3050 SHAMPOO BOWL WITH OR WITHOUT HAIR INTERCEPTOR

NOTE: WISCONSIN REQUIRES THE SINK WASTE OUTLET NOT MORE THAN 15" ABOVE TRAP OUTLET, ROUGH IN WASTE AT 19"



UNLESS OTHERWISE SPECIFIED:		NAME	DATE
DRAWN	C SCHEFF	4/17/08	
CHECKED		5-3-10	
ENG APPR.			
MFG APPR.			
Q.A.			
COMMENTS:	REV: 1/1/18		

DIMENSIONS ARE IN INCHES		TOLERANCES:	
FRACTIONAL $\pm 1/16$	ANGULAR: MACH \pm	BEND \pm	
TWO PLACE DECIMAL \pm	THREE PLACE DECIMAL \pm		
INTERPRET GEOMETRIC TOLERANCING PER:	MATERIAL:	FINISH:	
		USED ON:	
		APPLICATION:	

PROPRIETARY AND CONFIDENTIAL		THE INFORMATION CONTAINED IN THIS DRAWING IS THE SOLE PROPERTY OF ACCESSIBLE SYSTEMS, INC. ANY REPRODUCTION IN PART OR AS A WHOLE WITHOUT THE WRITTEN PERMISSION OF ACCESSIBLE SYSTEMS, INC IS PROHIBITED.	
Accessible Systems, Inc.	Accessable Systems, Inc.	Accessable Systems, Inc.	Accessable Systems, Inc.

Accessible Systems, Inc.		TITLE: ROUGH-IN FOR K100 3-STAGE PLUMBING	
SIZE	DWG. NO.	REV	
A	K100-87	H	
SCALE: 1:8	WEIGHT:	SHEET 1 OF 1	