

4

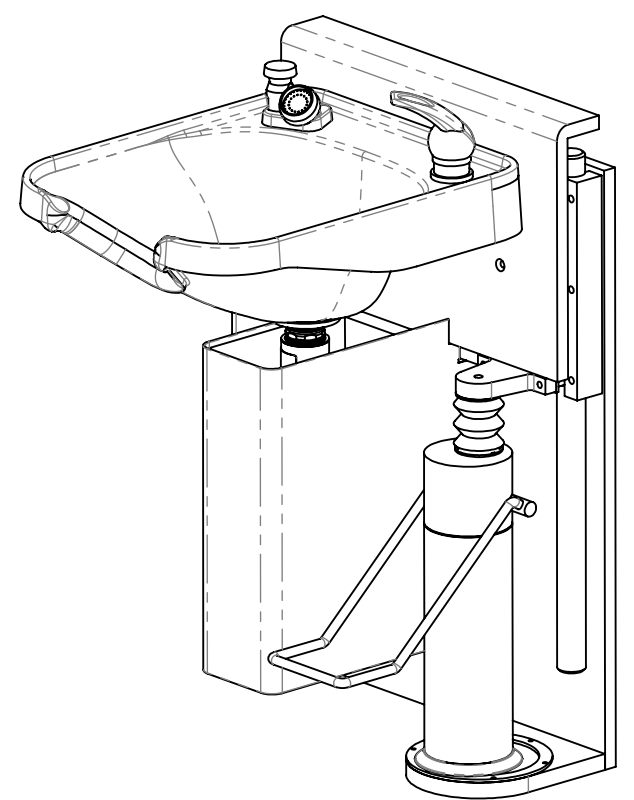
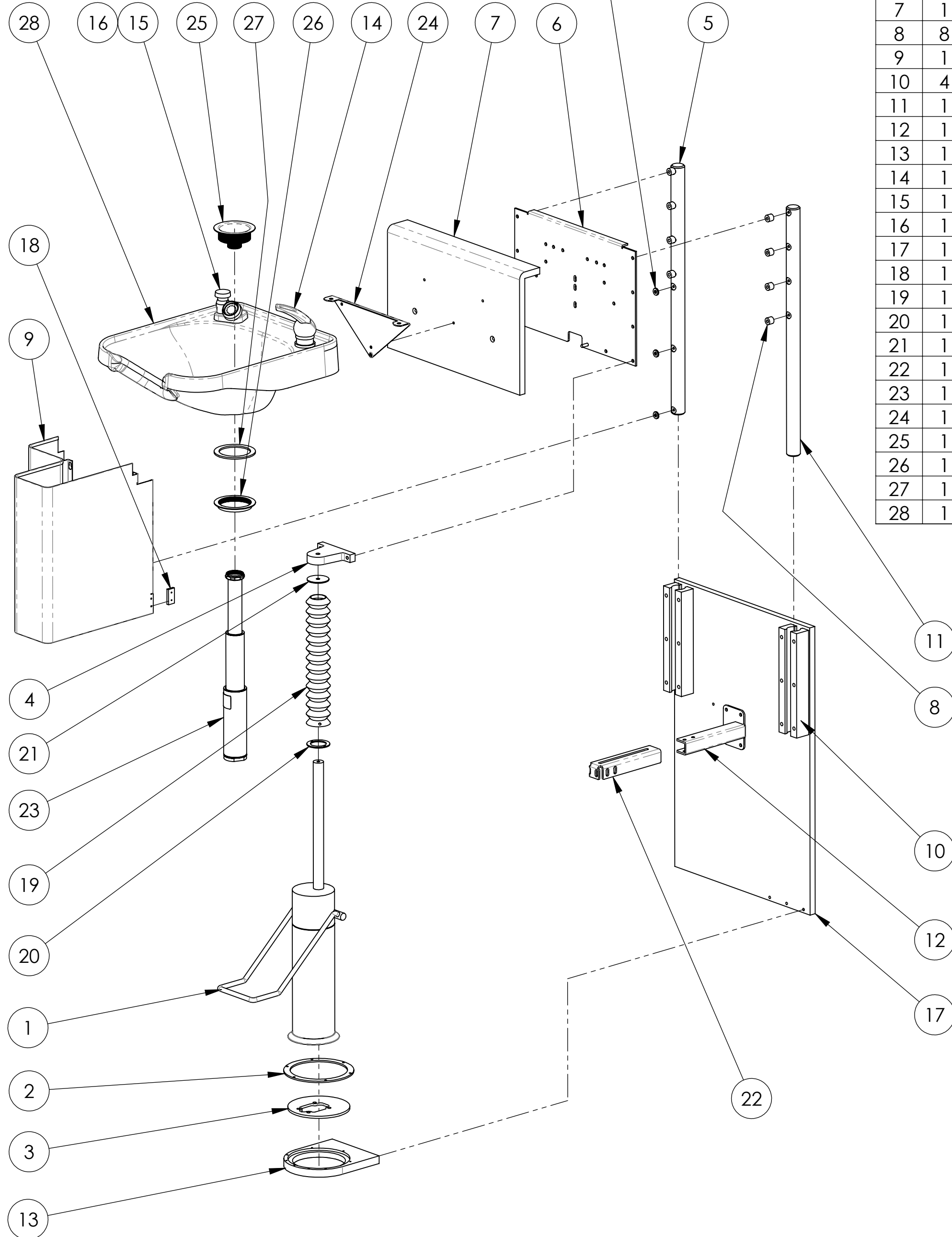
3

2

1

ITEM	QTY	FILE NUMBER	VENDOR	VENDOR P/N	TITLE
1	1	-34			LIFT PUMP
2	1	K100-37			RETAINER
3	1	K100-38			BASE PLATE
4	1	K100-60			LIFT BRACKET
5	1	K100-61			LIFT SHAFT - LEFT
6	1	K100-63			LIFT PANEL
7	1	K100-64			LIFT BACKSPLASH
8	8	K100-65			PANEL STANDOFF
9	1	k100-68			SHROUD
10	4	K100-70			LIFT GUIDE
11	1	K100-71			LIFT SHAFT - RIGHT
12	1	K100-72			DRAIN SUPPORT PIPE
13	1	K100-74			FLOOR PLATE
14	1	K100-83-1			FAUCET
15	1	K100-83-2			VACUUM BREAKER
16	1	K100-83-5			SPRAY HOSE
17	1	K100-85			MOUNTING PANEL
18	1	K100-89			SHROUD GUIDE
19	1	K100-90			BELLOWS (MOD)
20	1	K100-91			LOWER BELLOWS CLAMP RING
21	1	K100-92			UPPER BELLOWS CLAMP RING
22	1	K100-95			DRAIN PIPE CLAMP
23	1	T1512			TELESCOPING DRAIN - MODEL T1512
24	1	40540			SINK BRACKET
25	1	20260			SINK BASKET STRAINER
26	1	BASKET STRAINER NUT			BASKET STRAINER NUT (REF)
27	1	BASKET STRAINER GASKET			BASKET STRAINER GASKET (REF)
28	1	MODEL 3050			SHAMPOO SINK - MODEL 3050

5/16 FLAT WASHERS
STACKED AS NEEDED
FOR SPACING
(3 PLACES)



NEXT ASSY 	DRAFTER C.SCHEFF	DATE 10/15/07	ACCESSIBLE SYSTEMS, INC. 9917 13TH AVENUE NORTH - MPLS, MN 55441 PHONE: 612.238.4600
	DESIGNER	DATE	
TOLERANCES EXCEPT AS NOTED MM: .0 ± .1 INCHES: .00 ± .01 .000 ± .005	CHECKER	DATE	TITLE MULTI-STAGE SYSTEM
ANGLES ± 0.5° MATERIAL FINISH	CUSTOMER APPROVAL	DATE	PROPRIETARY AND CONFIDENTIAL The information contained in this drawing is sole propriety of Accessible Systems, Inc. Any reproduction in whole or in part without written permission is strictly prohibited.
	SIZE C	DRAWING NO. K100	DO NOT SCALE DRAWING WWW.ADJUSTASINK.COM 1 OF 3

4

3

2

1

D

D

C

C

B

B

A

A

DRAWING NO.
K100

4

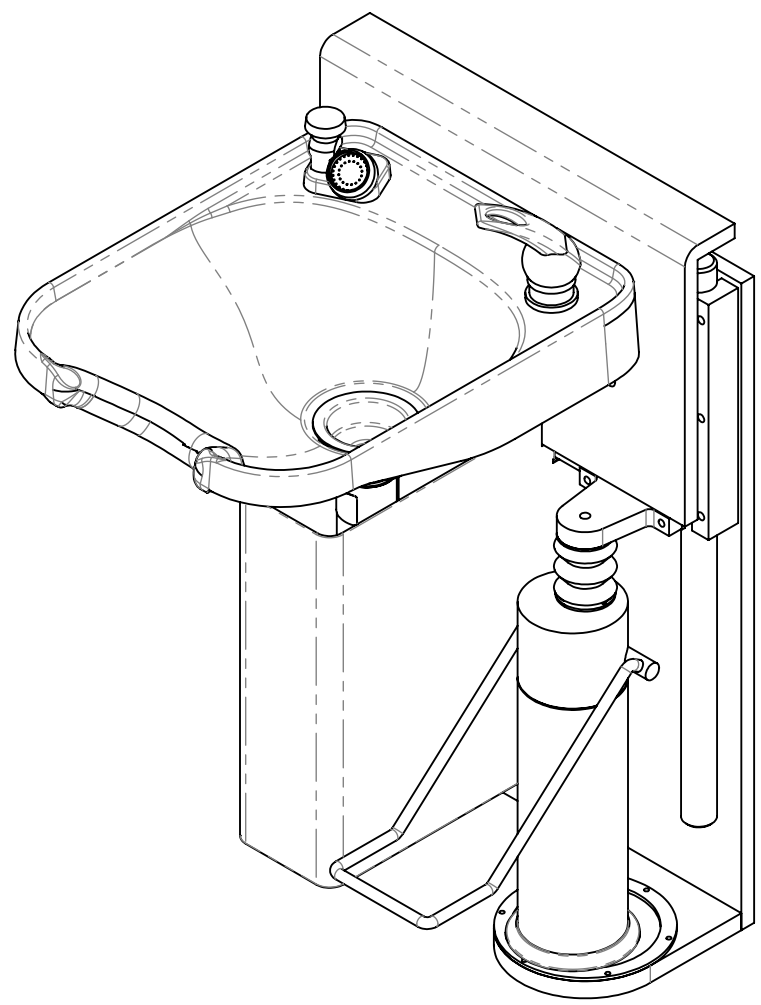
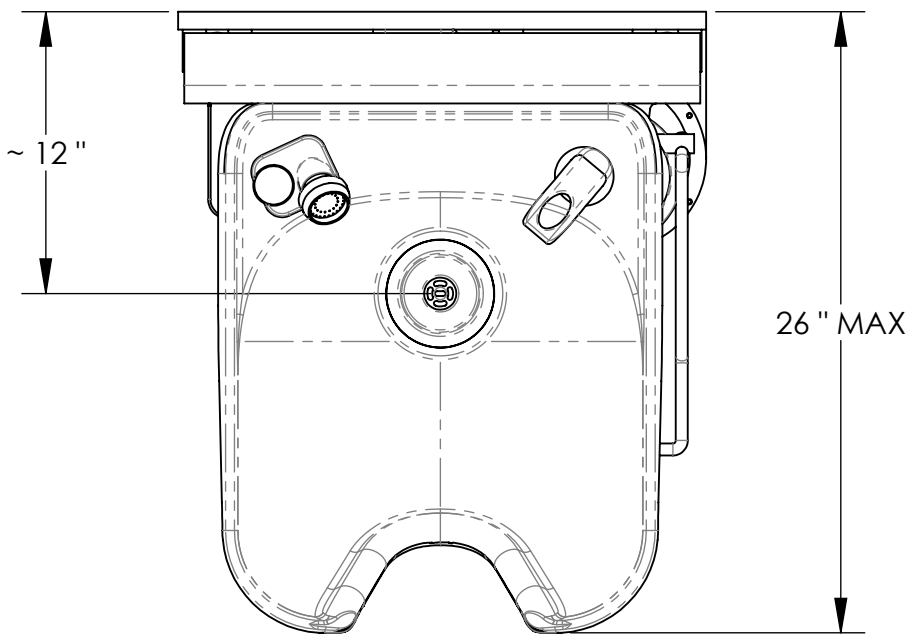
3

2

1

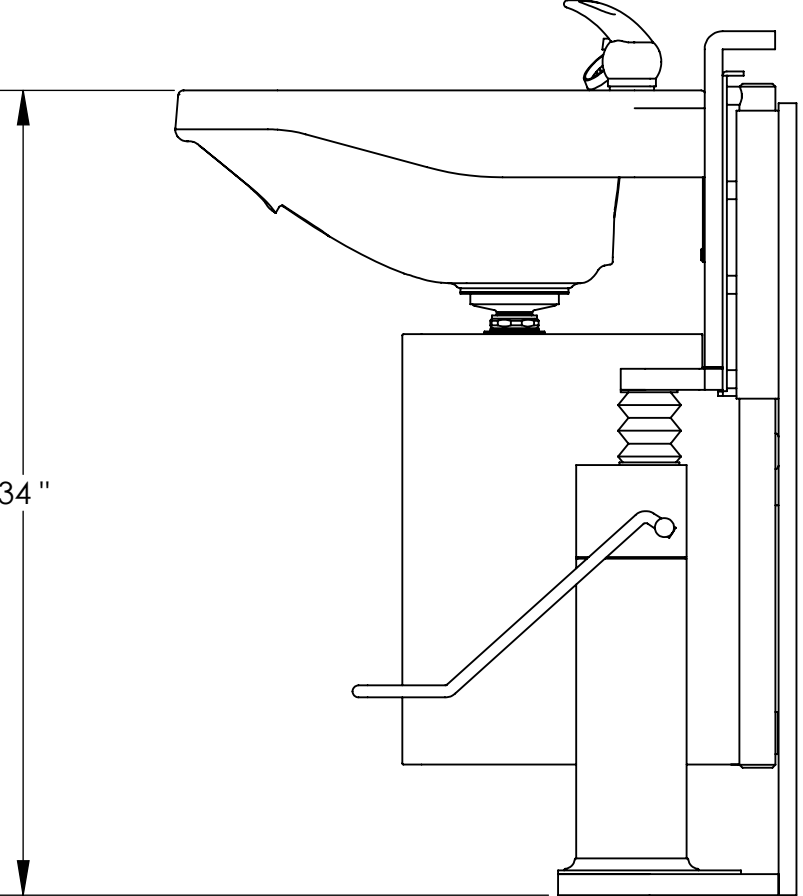
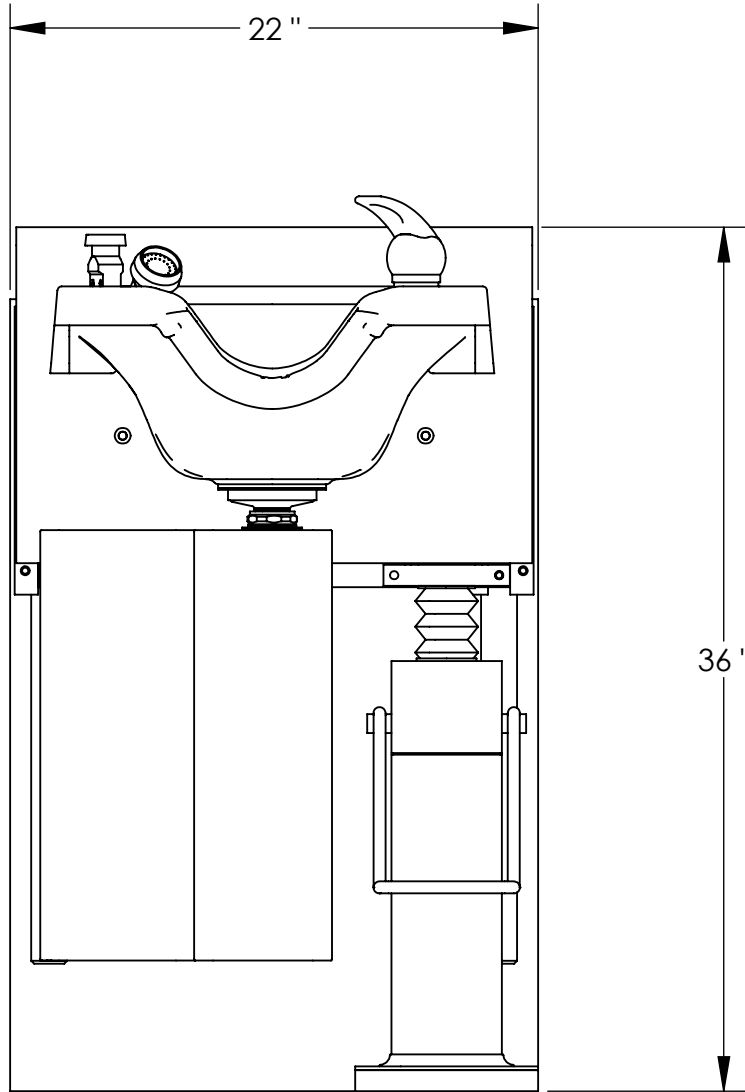
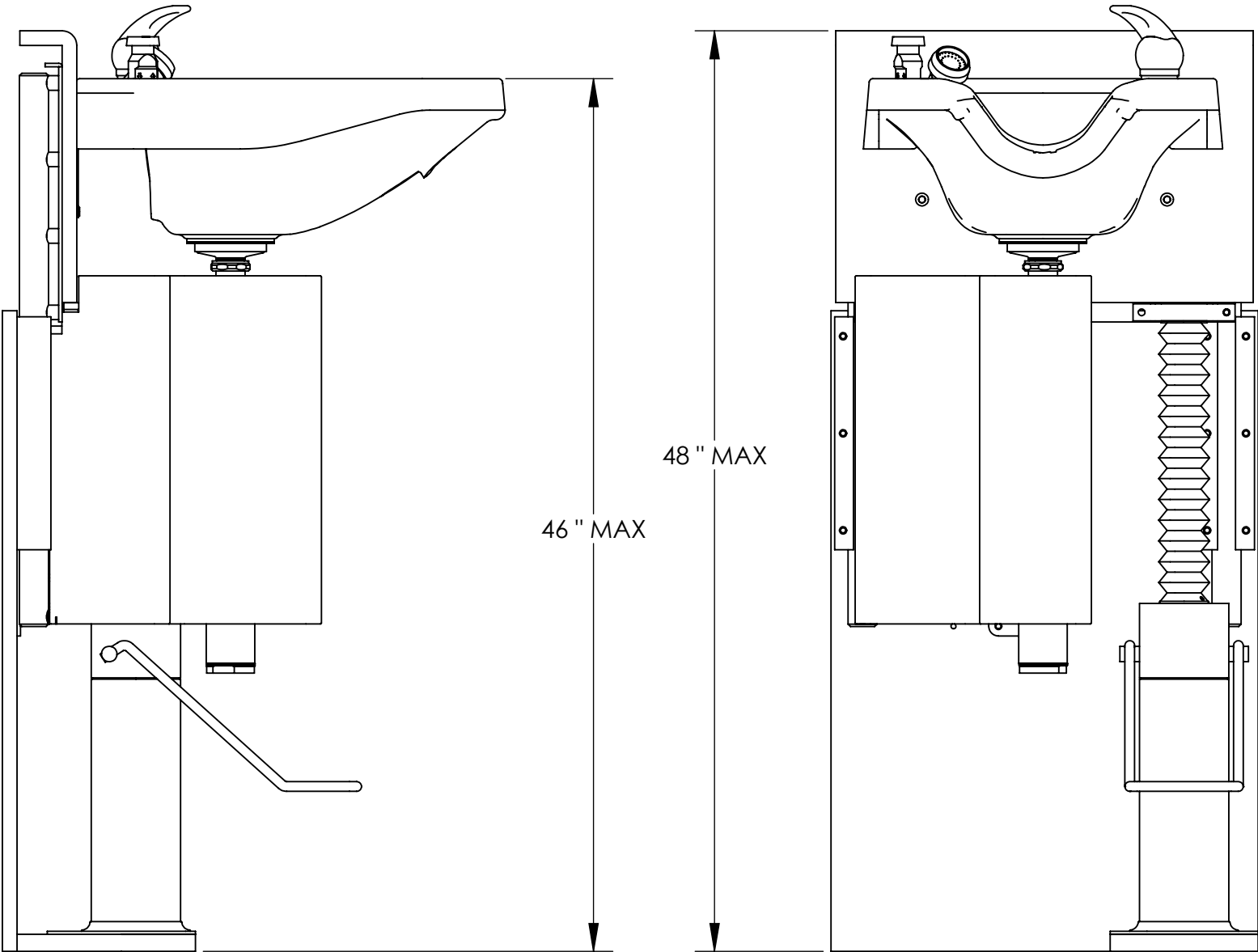
D

D



C

C



B

B

DRAWING NO. K100

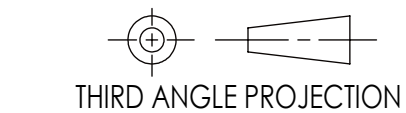
A

A

NEXT ASSY

MM(INCH) 25.4MM=1 INCH	
TOLERANCES EXCEPT AS NOTED	
MM	INCHES
	.0 ± .1
	.00 ± .01
	.000 ± .005
ANGLES ± 0.5°	
MATERIAL	
FINISH	

DRAFTER C.SCHEFF	DATE 10/15/07
DESIGNER	DATE
CHECKER	DATE
CUSTOMER APPROVAL	DATE



ACCESSIBLE SYSTEMS, INC. 9917 13TH AVENUE NORTH - MPLS, MN 55441 PHONE: 612 . 238 . 4600		
TITLE MULTI-STAGE SYSTEM		
PROPRIETARY AND CONFIDENTIAL The information contained in this drawing is sole propriety of Accessible Systems, Inc. Any reproduction in whole or in part without written permission is strictly prohibited.		
SIZE B	DRAWING NO. K100	
DO NOT SCALE DRAWING	WWW.ADJUSTASINK.COM	2 OF 3

4

3

2

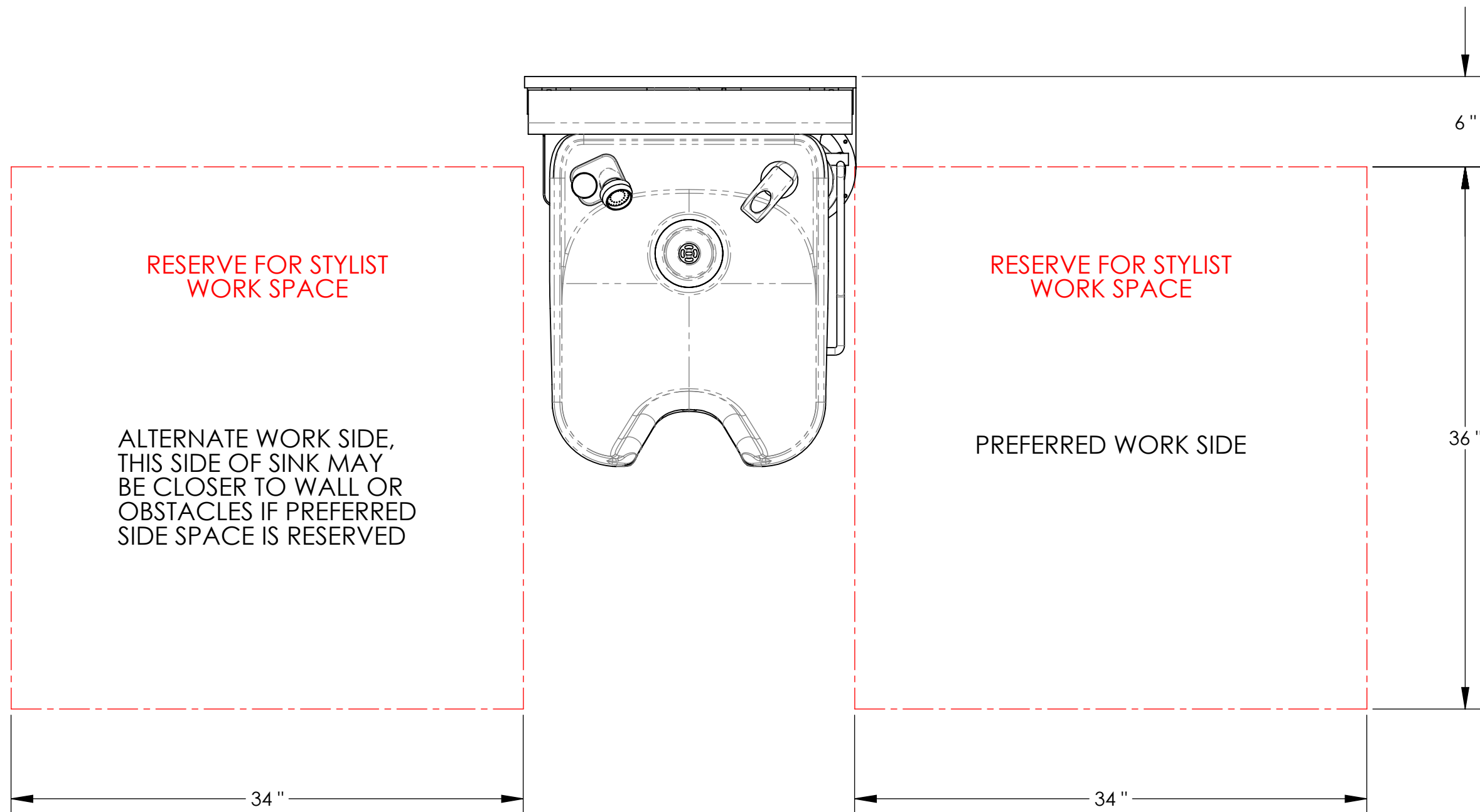
1

4

3

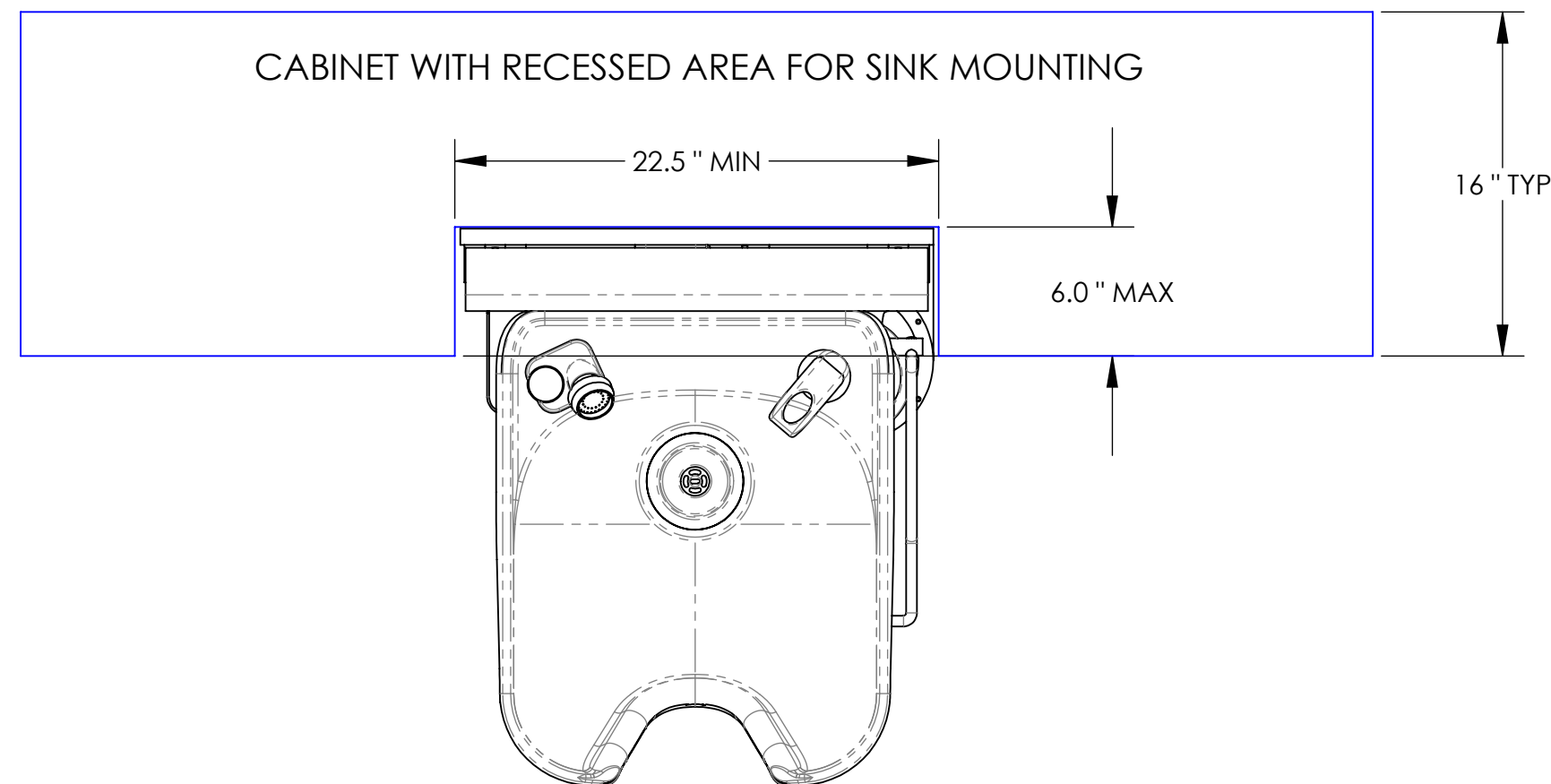
2

1

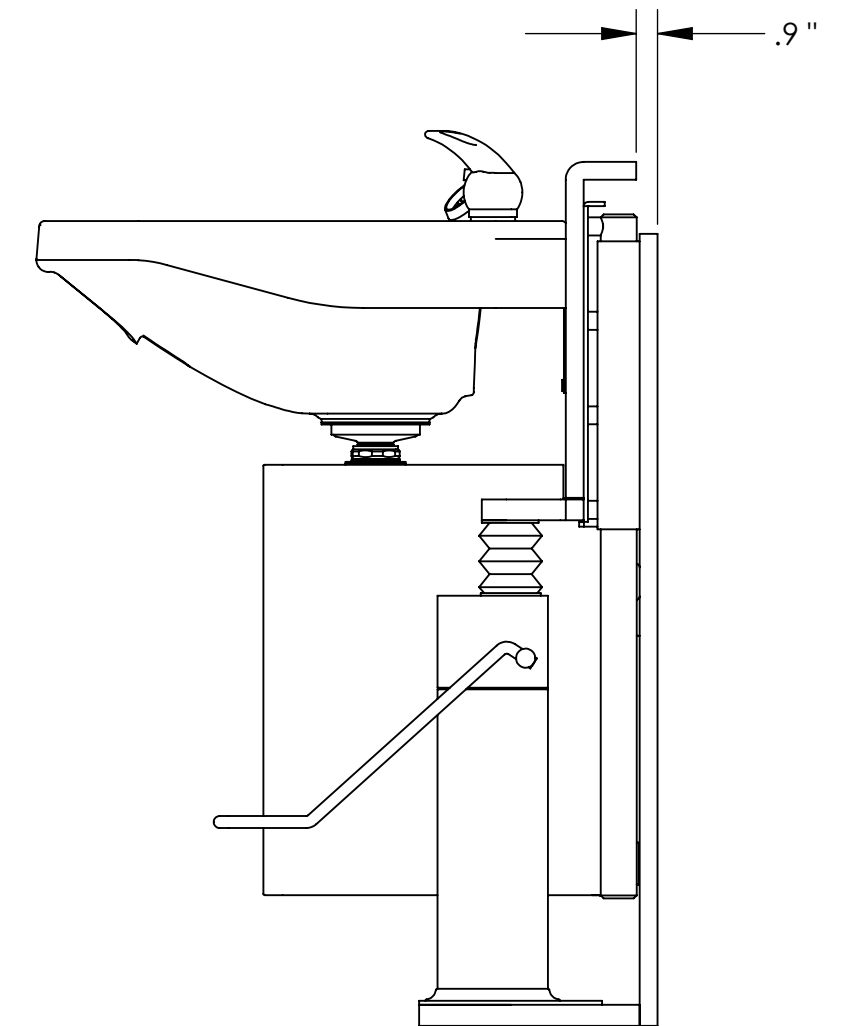


RESERVE WORK SPACE FOR SYLIST IN SALON PLAN. IF MULTIPLE SINKS ARE INSTALLED ALONG THE SAME WALL, SPACE AT 54" OR GREATER ON CENTER

THE ADJUSTABLE BACKSPLASH REQUIRES ADEQUATE CLEARANCE TO LIFT. ADD SPACER BLOCKS OR PANELS BEHIND WALL MOUNT PANEL IF TRIMWORK OR OTHER ELEMENT WILL INTERFERE



THE ADJUST-A-SINK MAY BE MOUNTED FLUSH TO A WALL OR FRONT FACE OF CABINETS. THE UNIT MAY ALSO BE RECESSED FROM CABINET FACE BY A MAXIMUM OF 6" TO ALLOW FOR WORK ACCESS



NEXT ASSY

<p>MM(INCH) 25.4MM=1 INCH</p>		DRAFTER C.SCHEFF	DATE 10/15/07
<p>TOLERANCES EXCEPT AS NOTED</p>		DESIGNER	DATE
MM	INCHES	CHECKER	DATE
	.0 ± .1	CUSTOMER APPROVAL	DATE
	.00 ± .01		
	.000 ± .005		
<p>ANGLES ± 0.5°</p>			
<p>MATERIAL</p>		<p>THIRD ANGLE PROJECTION</p>	
<p>FINISH</p>			

<p>ACCESSIBLE SYSTEMS, INC.</p> <p>9917 13TH AVENUE NORTH - MPLS, MN 55441 PHONE: 612.238.4600</p>		
<p>TITLE MULTI-STAGE SYSTEM</p>		
<p>PROPRIETARY AND CONFIDENTIAL The information contained in this drawing is sole propriety of Accessible Systems, Inc. Any reproduction in whole or in part without written permission is strictly prohibited.</p>		
SIZE B	DRAWING NO. K100	
DO NOT SCALE DRAWING	WWW.ADJUSTASINK.COM	3 OF 3

4

3

2

1

D

C

B

A

A

A

DRAWING NO.
K100