

# MODEL K100V



- The K100-V Adjust-a-Sink System elevates the shampoo bowl a total of 12” vertically.
- Height distance from the floor to the neck of the bowl ranges from 31”-43”
- The basic dimensions of a unit in the “down” position are: 22” Wide, 27” Deep and 36” High (to the top of the backsplash)
- A self-contained maintenance free foot operated hydraulic pump provides the lift capacity needed to raise the shampoo bowl. The hydraulic pump’s foot pedal is free to rotate approximately 90 degrees to the side anytime the operator requires.
- Components are manufactured from stainless steel, aluminum and coated steel. The design has proven to provide years of trouble-free service when properly cleaned and maintained.
- Manufactured to be compatible with the Belvedere 8400K bowl.
- NOTE: K100V Models are NOT UPC listed.

**LEAD TIME:** About 5 weeks.

**PAYMENT METHODS:** Credit card, or check in advance.

## Model K100V Standard Configurations:

- Belvedere 8400K Cast Iron Bowl
  - Complete with 522 Faucet, 403 Vacuum Breaker, and Spray Hose
  - Standard Colors are Black and White
- Basket Strainer for Shampoo Bowl (Supplied by Accessible Systems, Inc)
- Durable Painted Steel Drain Shroud in Black, White or Almond
- Hot & Cold Water Supply Lines (1/2: FIP to 3/8 comp)
  - PLEASE NOTE we do not supply the hot and cold shut off valves
- Patent Pending Hard Telescoping Plumbing
  - PLEASE NOTE we do not supply the 1 1/2" "P" trap
- Easy-to-Use Hydraulic Pump - made in the USA - 5 Year Warranty
- 2 year warranty on all other parts and workmanship
- Backboard & backsplash of Wilsonart laminate which is available in 3 standard colors:
  - Frosty White, Black or Almond

### Photo of Standard White Configuration with Belvedere Bowl

	
<p>K100-V standard WHITE          -WHITE Belvedere 8400K          -Wilsonart 1573-60 Frosty White          -WHITE Painted Shroud</p>	<p>522 Fixture with 403 VB          Includes ASSE 1001 Vacuum Breaker          Optional - 503 VB available</p>

## ORDER CHECKLIST FOR K100V MODEL ONLY

<input type="checkbox"/> Belvedere 8400K	<b>Bowl Selection -</b> Compatible only with Belvedere 8400K Bowl (Not recommended for providing shampoo service to persons in wheelchairs.)
<input type="checkbox"/> Black <input type="checkbox"/> White  <input type="checkbox"/> Other: _____	<b>Bowl Color -</b> Standard black and white ship the quickest. See next page for other bowl color choices.
<input type="checkbox"/> 522 Faucet / 403 VB <input type="checkbox"/> 522 Faucet / 503 VB	<b>Fixture Choice -</b> 522 Fixture Set and 403 Vacuum Breaker comes standard. Up-charge applies to 503 Vacuum Breaker.
<input type="checkbox"/> Black <input type="checkbox"/> White <input type="checkbox"/> Almond  <input type="checkbox"/> Custom (mfr/color): _____	<b>Laminate Color Choice -</b> <u>Stock laminate</u> colors included in base price are: Black (Wilsonart 1595-60), White (Wilsonart 1573-60) and Almond (Wilsonart D30-60). If requesting a <u>special laminate</u> please provide the manufacturer's name and color code number. There will be a modest up-charge for custom color choices - please call for a quote.
<input type="checkbox"/> Horizontal <input type="checkbox"/> Vertical	<b>Grain Orientation for Custom Laminates -</b> For Custom Laminate choices please indicate the orientation of the grain (if applicable).
<input type="checkbox"/> Black <input type="checkbox"/> White <input type="checkbox"/> Almond <input type="checkbox"/> Stainless Steel	<b>Shroud Color -</b> Black, white and almond are included in the base price. Optional upgrade to a Stainless Steel shroud is available for an up charge.
QTY _____	<b>Number of units being ordered.</b>
<input type="checkbox"/> 1701 Poly Hair Trap <input type="checkbox"/> 8750 Cast Iron Hair Trap <input type="checkbox"/> 750 Chrome Hair Trap	<b>Optional Hair Interceptor -</b> Do you need a hair trap? We offer three (3) choices of optional hair interceptors/traps.
<input type="checkbox"/> 1070 Mixing Valve	<b>Optional Anti-Scald Mixing Valve -</b> Are you required to have an anti-scald mixing valve? We offer a kit with ASSE 1070 valve that can be installed on the mounting panel.

**Ship to Contact:**  
**(name, number)** \_\_\_\_\_

**Project Name**  
**and Location:** \_\_\_\_\_

**Ship to Address:** \_\_\_\_\_

# K100V BOWL COLOR OPTIONS

## Belvedere 8400K Bowl Color Options



PE005  
Imperial Blue



PE006  
New Plum



PE008  
Slate Gray



PE011  
Parchment



PE016  
Sepia



PE018  
Beige



PE040  
Deep Grey



PE043  
Rain Forest



PE051  
Francesca Rose



PE053  
Sahara



PE059  
Pastel Citron



PE221  
Gold



PE462  
Stone



PE701  
Midnight Blue



PE705  
Pearl Grey



PE2727  
Royal Blue



PE728  
Soft Black



PE729  
Forest Green



PE731  
Bahama Beige



PE733  
White



PE734  
Dove



PE771  
Red Wine



PE722  
Pueblo



PE773  
Gunpowder



PE774  
Brownie



PE775  
Jet Blue



PE776  
Teal



PE983  
Chestnut

## Belvedere 8400K Mica Finish Color Options



PE521  
Bronze



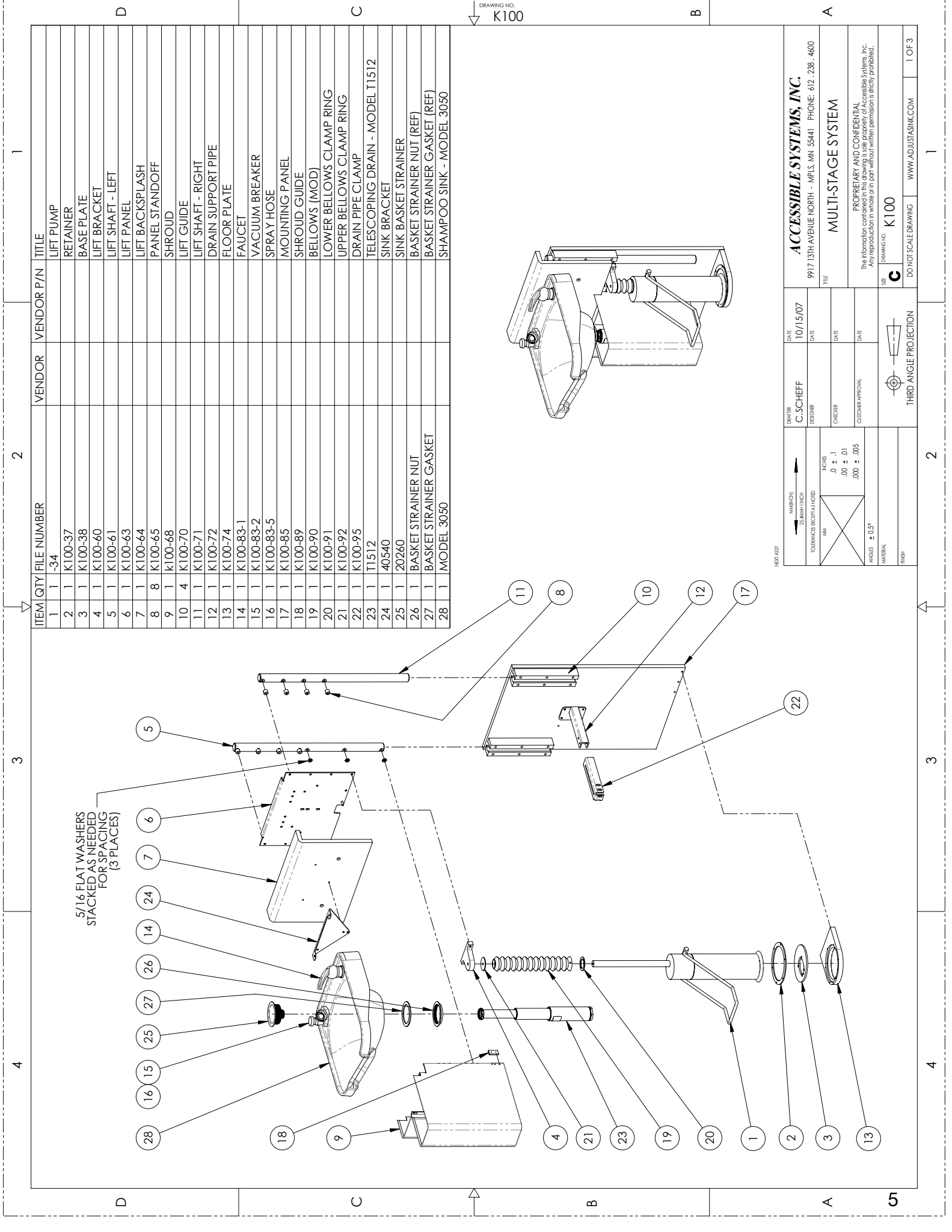
PE522  
Pewter



PE525  
Pearl



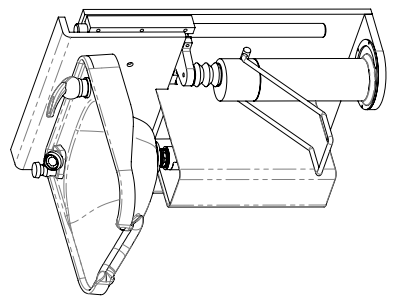
PE727  
Opal Ice



ITEM	QTY	FILE NUMBER	VENDOR	VENDOR P/N	TITLE
1	1	-34			LIFT PUMP
2	1	K100-37			RETAINER
3	1	K100-38			BASE PLATE
4	1	K100-60			LIFT BRACKET
5	1	K100-61			LIFT SHAFT - LEFT
6	1	K100-63			LIFT PANEL
7	1	K100-64			LIFT BACKSPASH
8	8	K100-65			PANEL STANDOFF
9	1	K100-68			SHROUD
10	4	K100-70			LIFT GUIDE
11	1	K100-71			LIFT SHAFT - RIGHT
12	1	K100-72			DRAIN SUPPORT PIPE
13	1	K100-74			FLOOR PLATE
14	1	K100-83-1			FAUCET
15	1	K100-83-2			VACUUM BREAKER
16	1	K100-83-5			SPRAY HOSE
17	1	K100-85			MOUNTING PANEL
18	1	K100-89			SHROUD GUIDE
19	1	K100-90			BELLOWS (MOD)
20	1	K100-91			LOWER BELLOWS CLAMP RING
21	1	K100-92			UPPER BELLOWS CLAMP RING
22	1	K100-95			DRAIN PIPE CLAMP
23	1	T1512			TELESCOPING DRAIN - MODEL T1512
24	1	40540			SINK BRACKET
25	1	20260			SINK BASKET STRAINER
26	1	BASKET STRAINER NUT			BASKET STRAINER NUT (REF)
27	1	BASKET STRAINER GASKET			BASKET STRAINER GASKET (REF)
28	1	MODEL 3050			SHAMPOO SINK - MODEL 3050

5/16 FLAT WASHERS  
STACKED AS NEEDED  
FOR SPACING  
(3 PLACES)

DRAWING NO.  
K100



KEY: ASST

DATE: 10/15/07 DRAWN BY: C. SCHEFF CHECKER: [blank] CUSTOMER APPROVAL: [blank]	TOLERANCES: DECIMAL INCH .0 ± .1 .00 ± .01 .000 ± .005	ANGLES: ± 0.5° MATERIAL: [blank] FINISH: [blank]

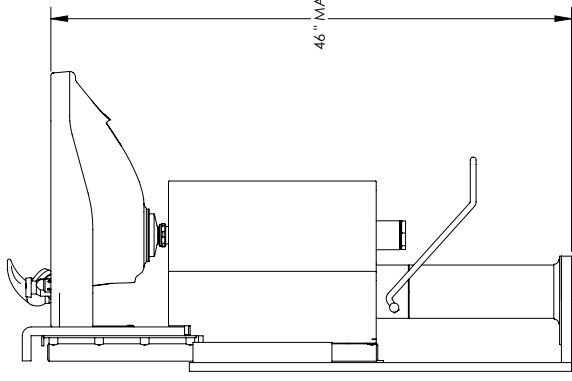
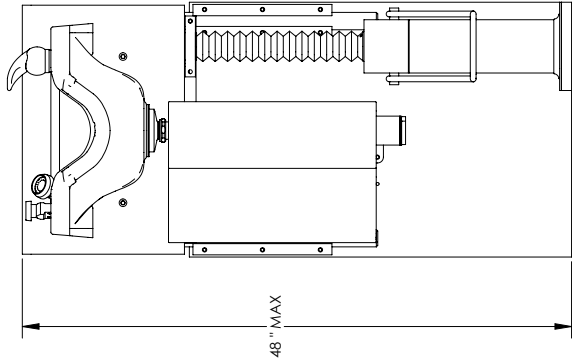
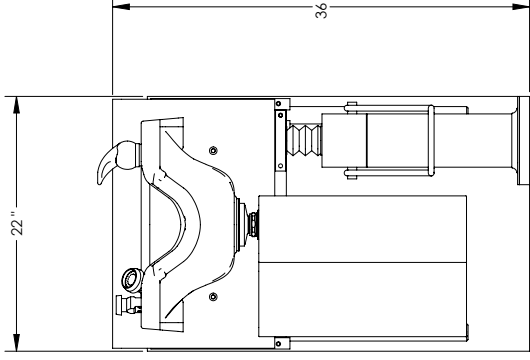
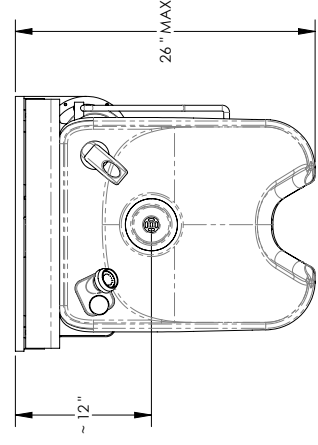
DATE: 10/15/07 DRAWN BY: C. SCHEFF CHECKER: [blank] CUSTOMER APPROVAL: [blank]	DATE: [blank] DATE: [blank] DATE: [blank]	DATE: [blank]
TITLE: MULTI-STAGE SYSTEM ACCESSIBLE SYSTEMS, INC. 9917 13TH AVENUE NORTH - MPLS, MN 55441 PHONE: 612.238.4600	TITLE: MULTI-STAGE SYSTEM	PROPRIETARY AND CONFIDENTIAL The information contained in this drawing is the property of Accessible Systems, Inc. Any reproduction in whole or in part without written permission is strictly prohibited.
DRAWING NO. K100	DO NOT SCALE DRAWING	WWW.ADJUSTASINK.COM
1 OF 3	1 OF 3	1 OF 3

D

C

B

A



D

C

B

A

6

DESIGNER <b>C. SCHEFF</b>	DATE <b>10/15/07</b>	<b>ACCESSIBLE SYSTEMS, INC.</b> 9917 13TH AVENUE NORTH - MPLS, MN 55441 PHONE: 612.238.4600	
CHECKER	DATE	TITLE <b>MULTI-STAGE SYSTEM</b>	
CUSTOMER APPROVAL	DATE	PROPRIETARY AND CONFIDENTIAL The information contained in this drawing is the property of Accessible Systems, Inc. Any reproduction in whole or in part without written permission is strictly prohibited.	
DIMENSIONS EXCEPT AS NOTED INCHES .0 ± .1 .00 ± .01 .000 ± .005	NEXT ASST FINISH	SIZE <b>B</b> DRAWING NO. <b>K100</b>	DO NOT SCALE DRAWING WWW.ADJUSTASINK.COM 2 OF 3
THIRD ANGLE PROJECTION			

1

2

3

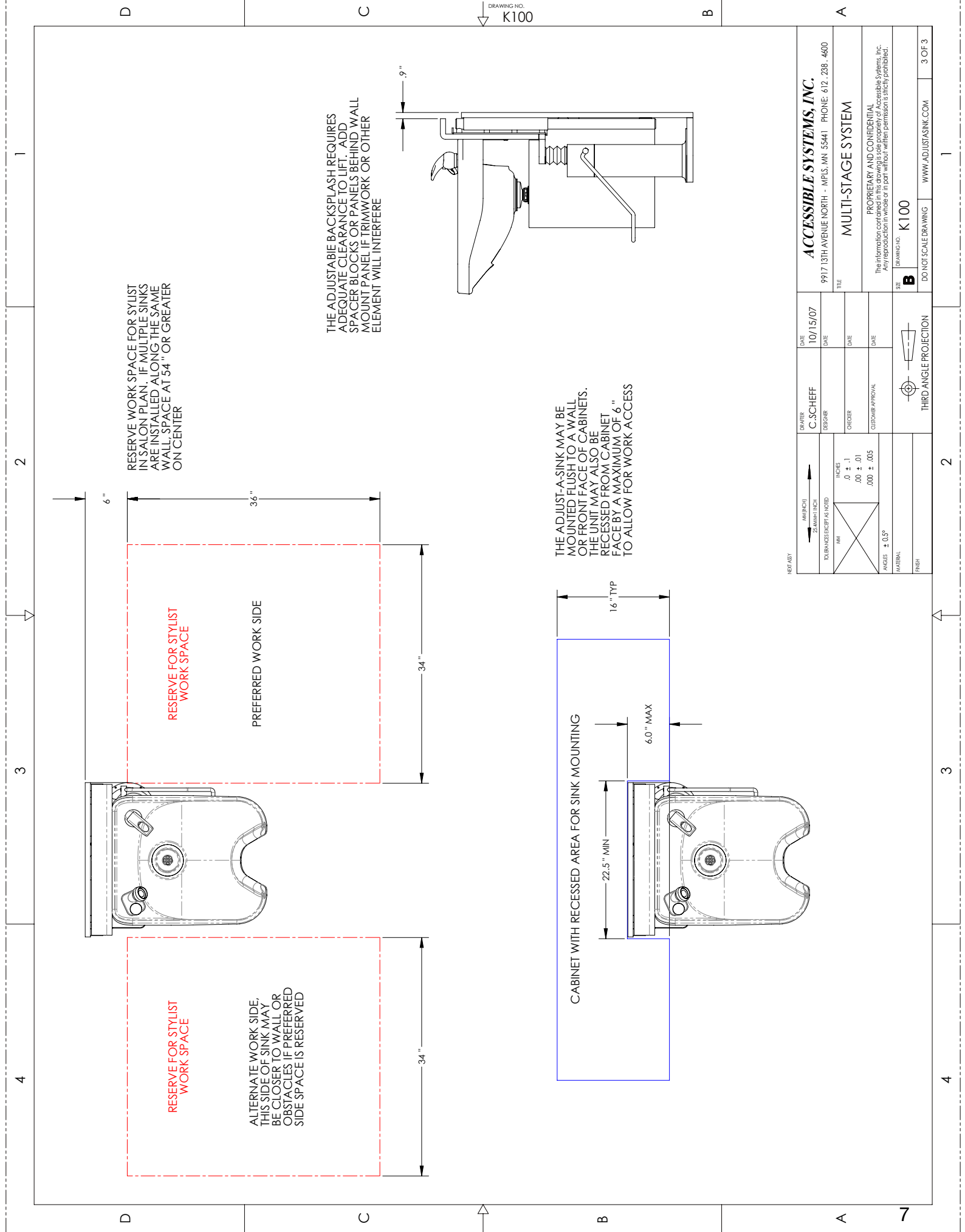
4

1

2

3

4



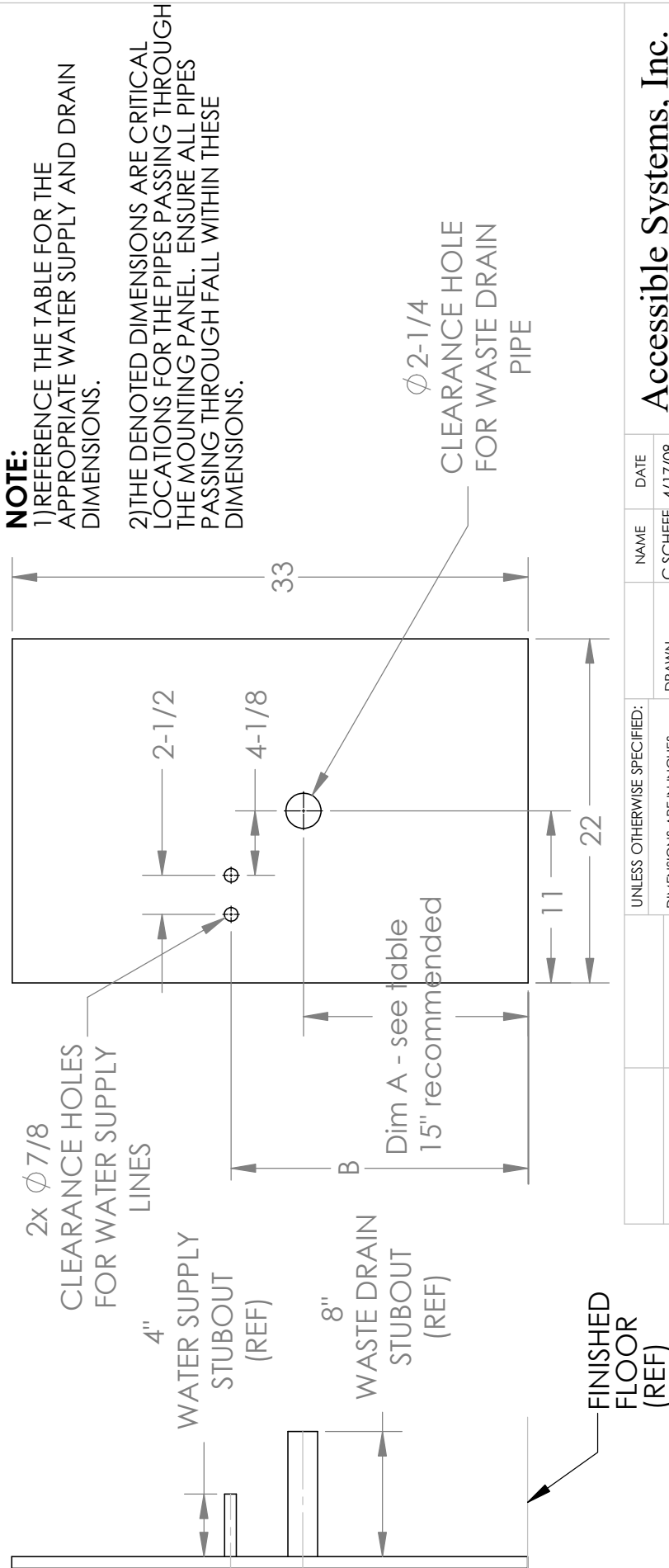
DRAWING NO. K100

DATE	10/15/07	DATE									
DESIGNER	C. SCHEFF	CHECKER									
CUSTOMER APPROVAL		DATE									
<p>ACCESSIBLE SYSTEMS, INC.          9917 13TH AVENUE NORTH - MPLS, MN 55411 PHONE: 612. 288-4600</p>											
<p>MULTI-STAGE SYSTEM</p>											
<p>PROPRIETARY AND CONFIDENTIAL          The information contained in this drawing is the property of Accessible Systems, Inc. Any reproduction in whole or in part without written permission is strictly prohibited.</p>											
SIZE	B	DRAWING NO.	K100								
		THIRD ANGLE PROJECTION									
<p>NEPT ASY</p> <p>UNITS: MILLIMETER / 25.4MM INCH</p> <p>TOLERANCES EXCEPT AS NOTED</p> <table border="1"> <tr> <td>MM</td> <td>INCHES</td> </tr> <tr> <td></td> <td>.0 ± .1</td> </tr> <tr> <td></td> <td>.00 ± .01</td> </tr> <tr> <td></td> <td>.000 ± .005</td> </tr> </table> <p>ANGLES ± 0.5°</p> <p>MATERIAL</p> <p>FINISH</p>		MM	INCHES		.0 ± .1		.00 ± .01		.000 ± .005	<p>DO NOT SCALE DRAWING</p> <p>WWW.ADJUSTASINK.COM</p> <p>3 OF 3</p>	
MM	INCHES										
	.0 ± .1										
	.00 ± .01										
	.000 ± .005										

Waste Drain and Water Supply Configurations			Without Mixing Valve Kit	WITH Mixing Valve Kit
Description	Drain Type	Dimension A Min	Dimension B Max	Dimension B Max
"Rough In" New construction or remodel	Standard with or without Hair Trap	10"	19"	9"

**NOTE:** FOR USE WITH COMFORT FIT #3050 SHAMPOO BOWL WITH OR WITHOUT HAIR INTERCEPTOR

**NOTE:** WISCONSIN REQUIRES THE SINK WASTE OUTLET NOT MORE THAN 15" ABOVE TRAP OUTLET, ROUGH IN WASTE AT 19"



**NOTE:**

- 1) REFERENCE THE TABLE FOR THE APPROPRIATE WATER SUPPLY AND DRAIN DIMENSIONS.
- 2) THE DENOTED DIMENSIONS ARE CRITICAL LOCATIONS FOR THE PIPES PASSING THROUGH THE MOUNTING PANEL. ENSURE ALL PIPES PASSING THROUGH FALL WITHIN THESE DIMENSIONS.

**PROPRIETARY AND CONFIDENTIAL**  
 THE INFORMATION CONTAINED IN THIS DRAWING IS THE SOLE PROPERTY OF ACCESSIBLE SYSTEMS, INC. ANY REPRODUCTION IN PART OR AS A WHOLE WITHOUT THE WRITTEN PERMISSION OF ACCESSIBLE SYSTEMS, INC IS PROHIBITED.

UNLESS OTHERWISE SPECIFIED:		NAME	DATE
DIMENSIONS ARE IN INCHES	DRAWN	C SCHEFF	4/17/08
TOLERANCES:	CHECKED		
FRACTIONAL $\pm 1/16$	ENG APPR.		
ANGULAR: MACH $\pm$ BEND $\pm$	MFG APPR.		
TWO PLACE DECIMAL $\pm$	Q.A.		
THREE PLACE DECIMAL $\pm$	COMMENTS:		
INTERPRET GEOMETRIC TOLERANCING PER:			
MATERIAL:			
FINISH:			
NEXT ASSY	USED ON		
APPLICATION	DO NOT SCALE DRAWING		

Accessible Systems, Inc.

TITLE: **ROUGH-IN FOR K100 3-STAGE PLUMBING**

SIZE **A** DWG. NO. **K100-87** REV **H**

REV: 1/1/18

SCALE: 1:8 WEIGHT: SHEET 1 OF 1