

# Adjust-a-Sink®

## Product Information and Specifications



### Table of Contents:

|   |    |
|---|----|
| Model E-140 .....   | 2  |
| Standard Configuration.....   | 3  |
| Order Information & Checklist .....   | 4  |
| Prints and Drawings .....   | 5  |
| Model K100 .....  | 9  |
| Standard Configuration.....   | 10 |
| Order Information & Checklist.....  | 11 |
| Bowl Color Options.....   | 12 |
| Prints and Drawings.....  | 13 |
| Model K100V- <del>THIS MODEL HAS BEEN DISCONTINUED</del> Substitute K100 with Comfort Fit Bowl. | 17 |

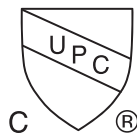
**ACCESSIBLE  
SYSTEMS**

# MODEL E140



- The E140 Adjust-a-Sink System elevates the shampoo bowl a total of 14” vertically.
- Height distance from the floor to the neck opening of the bowl ranges from 29” to 43”
- The basic dimensions of a unit in the “down” position are: 22” Wide, 27” Deep and 34” High (to the top of the backsplash)
- A touchpad controlled electric lift elevates the shampoo bowl (requires 120V GFCI outlet)
- Components are manufactured from stainless steel, aluminum and coated steel. The design has proven to provide years of trouble-free service when properly cleaned and maintained.

**PAYMENT METHODS:** Credit card, or check in advance.



cUPC Listed  
File #5496



Certified to Electrical  
Safety Standards  
File #E10062

## Model E140 Standard Configurations:

- Comfort Fit #3050 Solid Surface Shampoo Bowl (Black or White)
  - Complete with 650 Faucet, 1729 Vacuum Breaker, and Spray Hose
- Basket Strainer for Shampoo Bowl (Supplied by Accessible Systems, Inc.)
- Durable Painted Steel Drain Shroud
- Hot & Cold Water Supply Lines (1/2: FIP to 3/8 comp)
  - PLEASE NOTE: We do not supply the hot and cold shut off valves
- Patent Pending Rigid Telescoping Plumbing
  - PLEASE NOTE: We do not supply the 1 1/2" "P" trap
- Backsplash of Wilsonart laminate which is available in 2 standard colors:
  - Black or Frosty White
- 2 year warranty on all parts.

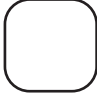

## Photos of Standard E140 and CF #3050 Bowl

|  |   |  |   |
|--|---|--|---|
|                   |                           |                 |                         |
| E140-BK standard BLACK<br>- BLACK Comfort Fit #3050<br>- Wilsonart 1595-60 BLACK<br>- BLACK Shroud | E140-BK standard BLACK<br>- BLACK Comfort Fit #3050<br>- Wilsonart 1595-60 BLACK<br>-STAINLESS STEEL Shroud | E140-WT standard WHITE<br>- WHITE Comfort Fit #3050<br>- Wilsonart 1573-60 WHITE<br>- WHITE Shroud | E140-WT standard WHITE<br>- WHITE Comfort Fit #3050<br>- Wilsonart 1573-60 WHITE<br>-STAINLESS STEEL Shroud |

## Fixture for Model E140



## ORDER CHECKLIST FOR E140 MODEL ONLY

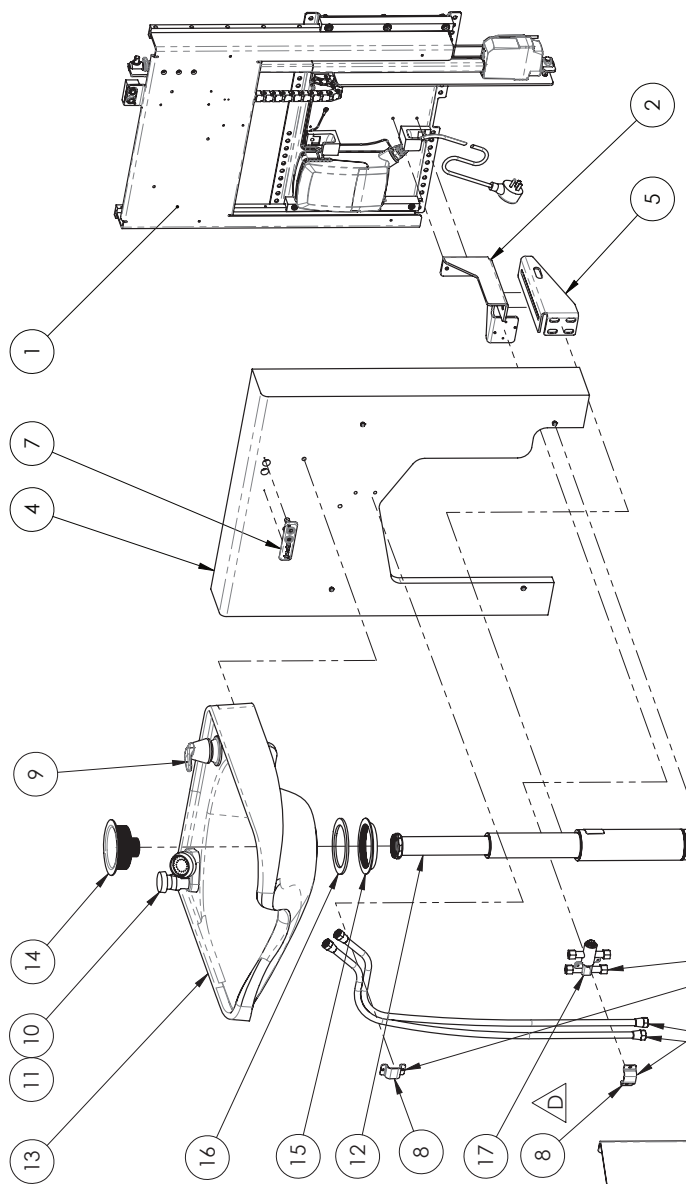
|  |   |
|--|---|
| <input type="checkbox"/> Comfort Fit #3050   | <b>Bowl Selection -</b><br>Model E140 is only compatible with our Comfort Fit #3050 Bowl  |
| <input type="checkbox"/> Black<br><input type="checkbox"/> White<br><br><input type="checkbox"/> Other: _____                                      | <b>Bowl Color -</b><br>Standard white and black ship the quickest. Choose from :<br><br><div style="display: flex; justify-content: center; gap: 20px;"> <div style="text-align: center;"> <br/>           White         </div> <div style="text-align: center;"> <br/>           Black         </div> </div> |
| <input type="checkbox"/> Standard<br><input type="checkbox"/> Other:   | <b>Fixture Choice -</b><br>Standard Fixture Set is a single lever valve with whiz sprayer on the opposite corner. Contact us for A112.18.1 requirements.  |
| <input type="checkbox"/> Black<br><input type="checkbox"/> White<br><br><input type="checkbox"/> Custom (mfr/color): _____                         | <b>Laminate Color Choice -</b><br><u>Stock laminate</u> colors included in base price are: Black (Wilsonart 1595-60) and White (Wilsonart 1573-60). If requesting a <u>special laminate</u> please provide the manufacturer's name and color code number. There will be a modest up-charge for custom color choices - please call for a quote.  |
| <input type="checkbox"/> Horizontal<br><input type="checkbox"/> Vertical   | <b>Grain Orientation for Custom Laminates -</b><br>For Custom Laminate choices please indicate the orientation of the grain (if applicable).  |
| <input type="checkbox"/> Black<br><input type="checkbox"/> White<br><input type="checkbox"/> Stainless Steel                                       | <b>Shroud Color -</b><br>Black and White are included in the base price. Optional upgrade to a Stainless Steel shroud is available for an up charge.  |
| QTY _____  | <b>Number of units being ordered.</b>   |
| <input type="checkbox"/> 1701 Poly Hair Trap<br><input type="checkbox"/> 8750 Cast Iron Hair Trap<br><input type="checkbox"/> 750 Chrome Hair Trap | <b>Optional Hair Interceptor -</b><br>Do you need a hair trap? We offer three (3) choices of optional hair interceptors/traps.  |
| <input type="checkbox"/> 1070 Mixing Valve   | <b>Optional Anti-Scald Mixing Valve -</b><br>Are you required to have an anti-scald mixing valve? We offer a kit with ASSE 1070 valve that can be installed on the mounting panel.  |

**Ship to Contact:**  
(name, number) \_\_\_\_\_

**Project Name**  
**and Location:** \_\_\_\_\_

**Ship to Address:** \_\_\_\_\_

| ITEM | QTY | FILE NUMBER            | TITLE                           |
|------|-----|------------------------|---------------------------------|
| 1    | 1   | 40550                  | LIFT UNIT - E140                |
| 2    | 1   | 40340                  | DRAIN SUPPORT BRACKET           |
| 3    | 1   | 40360                  | SHROUD - LH                     |
| 4    | 1   | 40420                  | FRONT PANEL                     |
| 5    | 1   | 40460                  | DRAIN CLAMP BRACKET             |
| 6    | 1   | 40480                  | SHROUD - RH                     |
| 7    | 1   | 40560                  | CONTROL ASSEMBLY                |
| 8    | 2   | 40180                  | DOUBLE HOSE CLAMP               |
| 9    | 1   | 650                    | FIXTURE SET                     |
| 10   | 1   | VACUUM BREAKER         | SUPPLIED WITH 650               |
| 11   | 1   | SPRAY HOSE             | SUPPLIED WITH 650               |
| 12   | 1   | T1514                  | TELESCOPING DRAIN - MODEL T1514 |
| 13   | 1   | 3050-2 SINK MOLD       | 3050-2 SHAMPOO BOWL             |
| 14   | 1   | 20260                  | SINK BASKET STRAINER            |
| 15   | 1   | BASKET STRAINER NUT    | SUPPLIED WITH 20260             |
| 16   | 1   | BASKET STRAINER WASHER | SUPPLIED WITH 20260             |
| 17   | 1   | MIXING VALVE           | MIXING VALVE (REF)              |

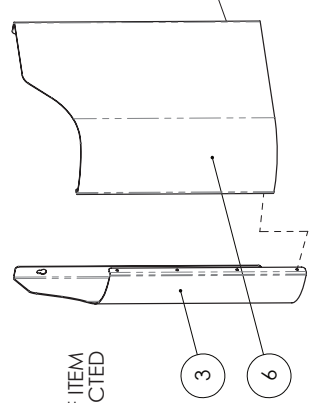
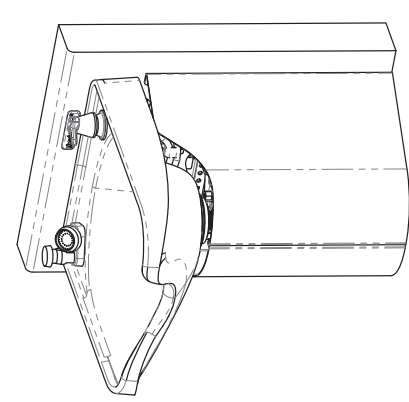


NOTES:

- 1. LOWER ITEM 9 (CLAMP) CAN BE USED IF ITEM 17 OPTION (MIXING VALVE) IS NOT SELECTED

| ZONE | REV. | DESCRIPTION                                       | DATE      | APPROVED   |
|------|------|---|-----------|------------|
|      | A    | INITIAL RELEASE                                   | 4/2/2017  | A.O. OLSON |
|      | B    | ADDED MIXING VALVE                                | 3/4/2018  | A.O. OLSON |
|      | C    | UPDATED BOM ENTRIES, ADDED SHEET 4                | 3/21/2018 | A.O. OLSON |
| B3   | D    | REMOVE ITEM 20 AND USE ITEM 9, UPDATE BOM DETAILS | 3/10/2020 | A.O. OLSON |

|                              |  |   |   |                     |
|------------------------------|--|---|---|---------------------|
| DRAFTER<br><b>AJW</b>        |  | DATE<br><b>04-02-17</b>   | <b>ACCESSIBLE SYSTEMS, INC.</b>                                 |                     |
| DESIGNER<br><b>A. OLSON</b>  |  | DATE<br><b>03-12-17</b>   | 9917 13TH AVENUE NORTH - MPLS, MN 55441 PHONE: 612 . 238 . 4600 |                     |
| CHECKER<br>CUSTOMER APPROVAL |  | DATE  | TITLE<br><b>TELESCOPING DRAIN - AUTO</b>                        |                     |
| ANGLES ± 0.5°                |  | PROPRIETARY AND CONFIDENTIAL<br>The information contained in this drawing is sole property of Accessible Systems, Inc.<br>Any reproduction in whole or in part without written permission is strictly prohibited. |   |                     |
| MATERIAL<br>FINISH           |  | SIZE<br><b>B</b>  |   |                     |
| THIRD ANGLE PROJECTION       |  | DRAWING NO.<br><b>E140</b>  |   |                     |
|                              |  | DO NOT SCALE DRAWING  |   | WWW.ADJUSTASINK.COM |
|                              |  |   |   | 1 OF 4              |



SEE NOTE 1

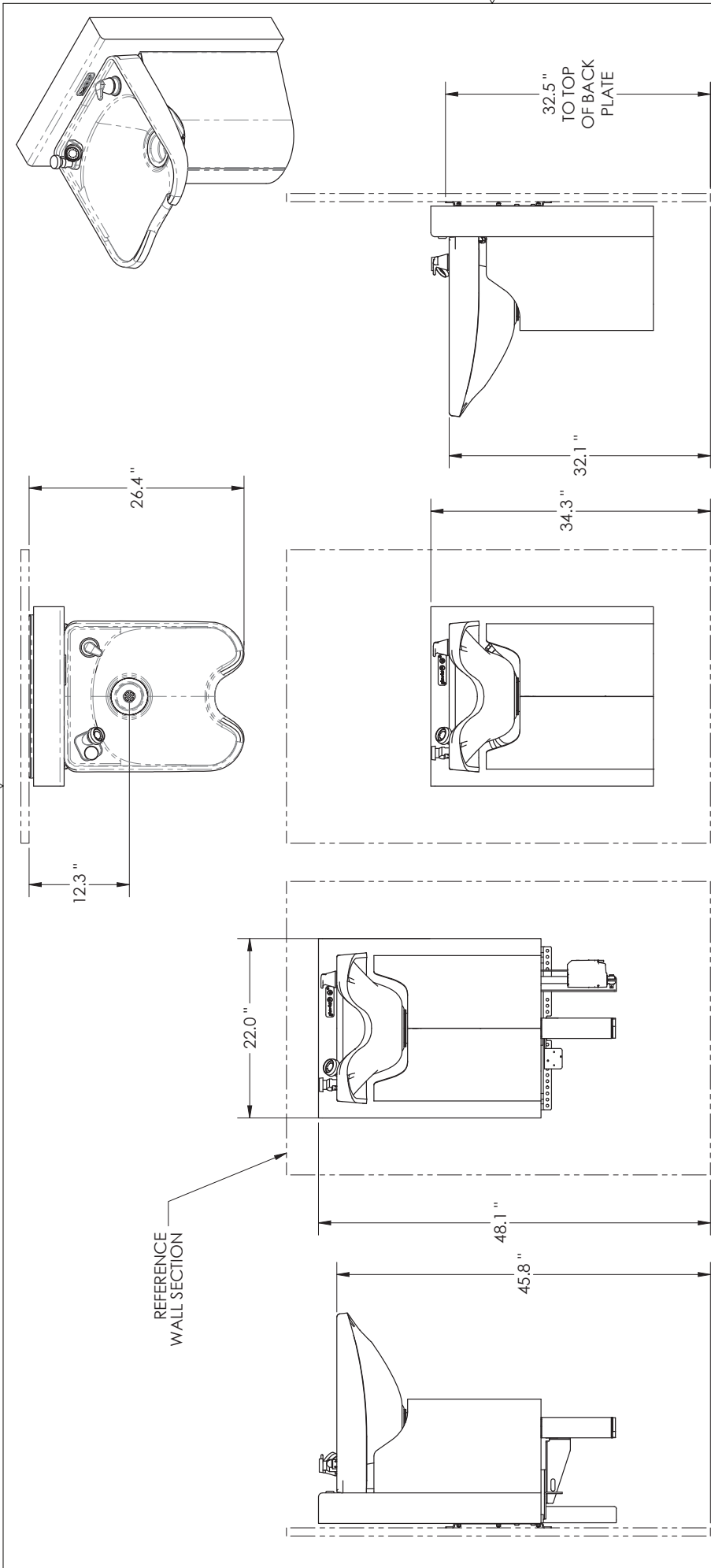
WATER HOSES (REF)

NEXT ASSY

|   |                            |
|---|----------------------------|
| MM<br>INCHES<br>.0 ± .1<br>.00 ± .01<br>.000 ± .005 | TOLERANCES EXCEPT AS NOTED |
|---|----------------------------|



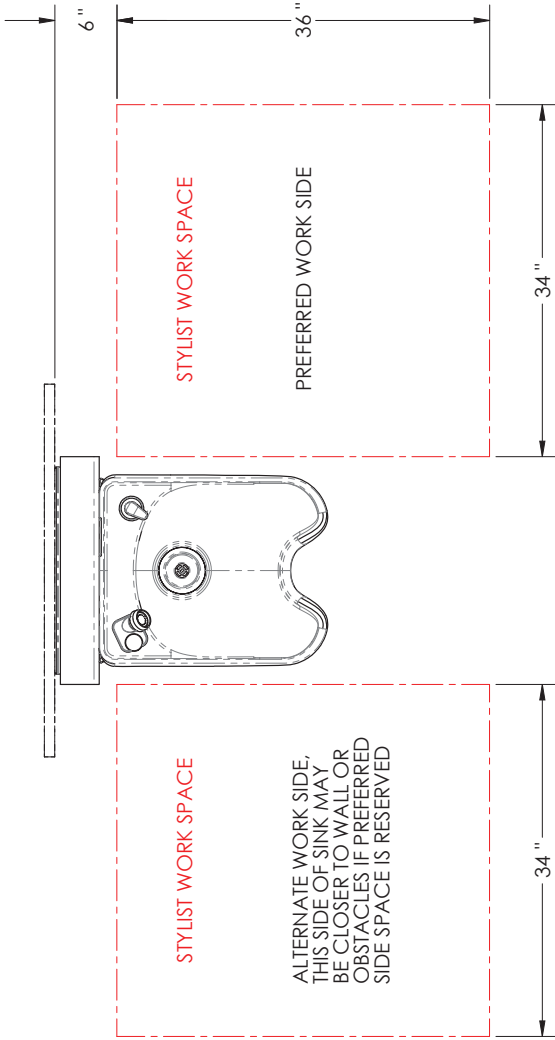
THIRD ANGLE PROJECTION



|  |                          |                               |        |  |         |  |           |  |             |             |
|--|--------------------------|-------------------------------|--------|--|---------|--|-----------|--|-------------|-------------|
| <p><b>ACCESSIBLE SYSTEMS, INC.</b><br/>9917 13TH AVENUE NORTH - MPLS, MN 55441 PHONE: 612 . 238 . 4600</p>   |                          | <p>DATE 04-02-17</p>          |        |  |         |  |           |  |             |             |
| <p>DRAFTER AJW</p>   | <p>DESIGNER A. OLSON</p> | <p>DATE 03-12-17</p>          |        |  |         |  |           |  |             |             |
| <p>TOLERANCES EXCEPT AS NOTED</p> <table border="1"> <tr> <td>MM</td> <td>INCHES</td> </tr> <tr> <td></td> <td>.0 ± .1</td> </tr> <tr> <td></td> <td>.00 ± .01</td> </tr> <tr> <td></td> <td>.000 ± .005</td> </tr> </table> |                          | MM                            | INCHES |  | .0 ± .1 |  | .00 ± .01 |  | .000 ± .005 | <p>DATE</p> |
| MM   | INCHES                   |                               |        |  |         |  |           |  |             |             |
|  | .0 ± .1                  |                               |        |  |         |  |           |  |             |             |
|  | .00 ± .01                |                               |        |  |         |  |           |  |             |             |
|  | .000 ± .005              |                               |        |  |         |  |           |  |             |             |
| <p>ANGLES ± 0.5°</p>   |                          | <p>CUSTOMER APPROVAL</p>      |        |  |         |  |           |  |             |             |
| <p>MATERIAL</p>  |                          | <p>THIRD ANGLE PROJECTION</p> |        |  |         |  |           |  |             |             |
| <p>FINISH</p>  |                          | <p>SIZE <b>B</b></p>          |        |  |         |  |           |  |             |             |
| <p>DRAWING NO. E140</p>  |                          | <p>DO NOT SCALE DRAWING</p>   |        |  |         |  |           |  |             |             |
| <p>PROPRIETARY AND CONFIDENTIAL<br/>The information contained in this drawing is sole property of Accessible Systems, Inc.<br/>Any reproduction in whole or in part without written permission is strictly prohibited.</p>   |                          | <p>WWW.ADJUSTASINK.COM</p>    |        |  |         |  |           |  |             |             |
| <p>TELESCOPING DRAIN - AUTO</p>  |                          | <p>2 OF 4</p>                 |        |  |         |  |           |  |             |             |

NEXT ASSY

RESERVE WORK SPACE FOR SYLIST IN SALON PLAN. IF MULTIPLE SINKS ARE BEING INSTALLED ALONG THE SAME WALL, SPACE AT 54" OR GREATER ON CENTER



ALTERNATE WORK SIDE, THIS SIDE OF SINK MAY BE CLOSER TO WALL OR OBSTACLES IF PREFERRED SIDE SPACE IS RESERVED

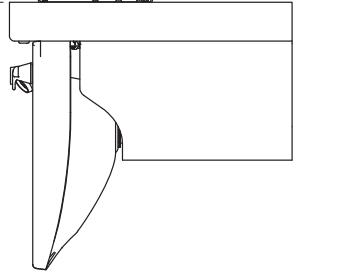
STYLIST WORK SPACE

STYLIST WORK SPACE

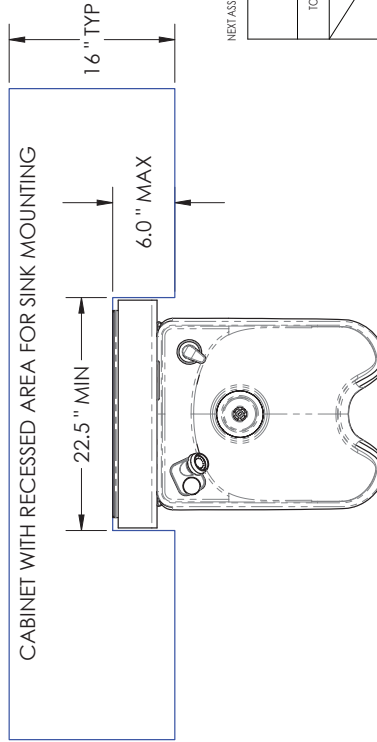
PREFERRED WORK SIDE

THE ADJUSTABLE BACKSPLASH REQUIRES ADEQUATE CLEARANCE TO LIFT. ADD SPACER BLOCKS OR PANELS BEHIND WALL MOUNT PANEL IF TRIMWORK OR OTHER ELEMENT WILL INTERFERE.

.55"



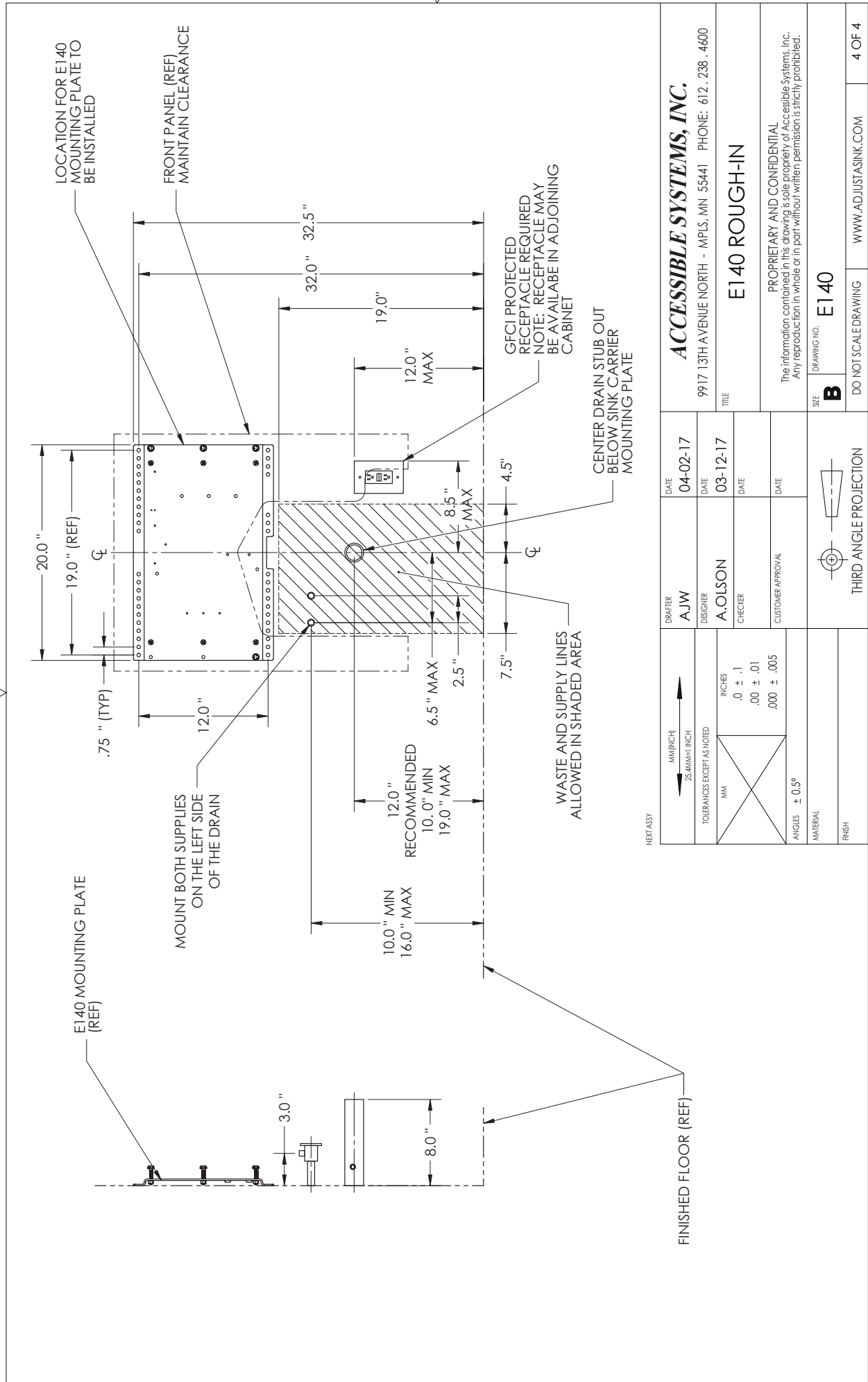
CABINET WITH RECESSED AREA FOR SINK MOUNTING



THE ADJUST-A-SINK MAY BE MOUNTED FLUSH TO A WALL OR FRONT FACE OF CABINETS. THE UNIT MAY ALSO BE RECESSED FROM CABINET FACE BY A MAXIMUM OF 6"

NEXT ASSY

|  |  |   |  |   |  |
|--|--|---|--|---|--|
| <p>DATE 04-02-17</p> <p>DATE 03-12-17</p> <p>DATE</p> <p>DATE</p>  |  | <p>DRAFTER AJW</p> <p>DESIGNER A. OLSON</p> <p>CHECKER</p> <p>CUSTOMER APPROVAL</p> |  | <p>ACCESSIBLE SYSTEMS, INC.</p> <p>9917 13TH AVENUE NORTH - MPLS, MN 55441 PHONE: 612 . 238 . 4600</p> <p>TELESCOPING DRAIN - AUTO</p>  |  |
| <p>MM/MINCH</p> <p>25.4MM=1 INCH</p> <p>TOLERANCES EXCEPT AS NOTED</p> <p>INCHES</p> <p>.0 ± .1</p> <p>.00 ± .01</p> <p>.000 ± .005</p> <p>ANGLES ± 0.5°</p> |  | <p>THIRD ANGLE PROJECTION</p>   |  | <p>PROPRIETARY AND CONFIDENTIAL</p> <p>The information contained in this drawing is sole property of Accessible Systems, Inc. Any reproduction in whole or in part without written permission is strictly prohibited.</p> |  |
| <p>MATERIAL</p> <p>FINISH</p>  |  | <p>SIZE B</p> <p>DRAWING NO. E140</p>   |  | <p>DO NOT SCALE DRAWING</p> <p>WWW.ADJUSTASINK.COM</p>  |  |
|  |  |   |  | <p>3 OF 4</p>   |  |



|   |                            |
|---|----------------------------|
| <b>ACCESSIBLE SYSTEMS, INC.</b>   |                            |
| 9917 13TH AVENUE NORTH - MPLS, MN 55441 PHONE: 612 . 238 . 4600   |                            |
| TITLE<br><b>E140 ROUGH-IN</b>   |                            |
| PROPRIETARY AND CONFIDENTIAL<br>The information contained in this drawing is sole property of Accessible Systems, Inc.<br>Any reproduction in whole or in part without written permission is strictly prohibited. |                            |
| SIZE<br><b>B</b>  | DRAWING NO.<br><b>E140</b> |
| DO NOT SCALE DRAWING  | WWW.ADJUSTASINK.COM        |
| 4 OF 4  |                            |

|                            |                         |
|----------------------------|-------------------------|
| DRAWER<br><b>AJW</b>       | DATE<br><b>04-02-17</b> |
| DESIGNER<br><b>A.OLSON</b> | DATE<br><b>03-12-17</b> |
| CHECKER                    | DATE                    |
| CUSTOMER APPROVAL          | DATE                    |

|  |             |        |  |         |  |           |  |             |                               |
|--|-------------|--------|--|---------|--|-----------|--|-------------|-------------------------------|
| <p>MM/BICHH<br/>25.4MM/1 BICHH</p> <p>TOLERANCES EXCEPT AS NOTED</p> <table border="1"> <tr> <td>MM</td> <td>INCHES</td> </tr> <tr> <td></td> <td>.0 ± .1</td> </tr> <tr> <td></td> <td>.00 ± .01</td> </tr> <tr> <td></td> <td>.000 ± .005</td> </tr> </table> <p>ANGLES ± 0.5°</p> <p>MATERIAL</p> <p>FINISH</p> | MM          | INCHES |  | .0 ± .1 |  | .00 ± .01 |  | .000 ± .005 | <p>THIRD ANGLE PROJECTION</p> |
| MM   | INCHES      |        |  |         |  |           |  |             |                               |
|  | .0 ± .1     |        |  |         |  |           |  |             |                               |
|  | .00 ± .01   |        |  |         |  |           |  |             |                               |
|  | .000 ± .005 |        |  |         |  |           |  |             |                               |

WASTE AND SUPPLY LINES ALLOWED IN SHADED AREA

GFCI PROTECTED RECEPTACLE REQUIRED  
NOTE: RECEPTACLE MAY BE AVAILABLE IN ADJOINING CABINET

CENTER DRAIN STUB OUT BELOW SINK CARRIER MOUNTING PLATE

LOCATION FOR E140 MOUNTING PLATE TO BE INSTALLED

FRONT PANEL (REF) MAINTAIN CLEARANCE

12.0" MAX

19.0"

32.0" 32.5"

12.0" (REF)

20.0"

.75" (TYP)

12.0"

10.0" MIN 16.0" MAX

12.0" RECOMMENDED 10.0" MIN 19.0" MAX

6.5" MAX 2.5" MAX

7.5"

4.5"

8.5" MAX

E140 MOUNTING PLATE (REF)

MOUNT BOTH SUPPLIES ON THE LEFT SIDE OF THE DRAIN

FINISHED FLOOR (REF)

8.0"

3.0"

NEXT ASSY

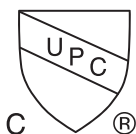


# MODEL K100



- The K100 Adjust-a-Sink System elevates the shampoo bowl a total of 12” vertically.
- Height distance from the floor to the neck opening of the bowl ranges from 31” to 43” OR 29” to 41” (set at installation)
- The basic dimensions of a unit in the “down” position are: 22” Wide, 27” Deep and 36” High (to the top of the backsplash)
- A self-contained, maintenance-free foot operated hydraulic pump provides the lift capacity needed to raise the shampoo bowl. The hydraulic pump’s foot pedal is free to rotate approximately 90 degrees to the side anytime the operator requires.
- Components are manufactured from stainless steel, aluminum, and coated steel. The design has proven to provide years of trouble-free service when properly cleaned and maintained.

**PAYMENT METHODS:** Credit card, or check in advance.



cUPC Listed  
File #5496

## Model K100 Standard Configurations:

- Comfort Fit #3050 Solid Surface Shampoo Bowl in Black, White or Almond
  - Complete with single lever faucet, vacuum breaker, and spray hose
- Basket Strainer for Shampoo Bowl (Supplied by Accessible Systems, Inc)
- Durable Painted Steel Drain Shroud in Black, White or Almond
- Hot & Cold Water Supply Lines (1/2: FIP to 3/8 comp)
  - PLEASE NOTE we do not supply the hot and cold shut off valves
- Patent Pending Rigid Telescoping Plumbing
  - PLEASE NOTE we do not supply the 1 1/2" "P" trap
- Easy-to-Use Hydraulic Pump - made in the USA - 5 Year Warranty
- 2 year warranty on all other parts and workmanship
- Backboard & backsplash of Wilsonart laminate which is available in 3 standard colors:
  - Black, Frosty White or Almond

### Photos and Colors for K100 Standard Configurations with CF #3050 Bowl

|   |   |  |   |
|---|---|--|---|
|   |   |   |   |
| <p>K100-BK standard BLACK<br/>                     - BLACK Comfort Fit #3050<br/>                     - Wilsonart 1595-60 Black<br/>                     - BLACK Painted Shroud</p> | <p>K100-WT standard WHITE<br/>                     - WHITE Comfort Fit #3050<br/>                     - Wilsonart 1573-60 Frosty White<br/>                     -WHITE Painted Shroud</p> | <p>K100-WT standard WHITE<br/>                     - WHITE Comfort Fit #3050<br/>                     - Wilsonart 1573-60 Frosty White<br/>                     - STAINLESS STEEL Shroud</p> | <p>K100-BK with SSS Up-Grade<br/>                     - BLACK Comfort Fit #3050<br/>                     - Wilsonart 1595-60 Black<br/>                     -STAINLESS STEEL Shroud</p> |

### Fixture for Model K100



## ORDER CHECKLIST FOR K100 MODEL ONLY

|  |   |
|--|---|
| <input type="checkbox"/> Comfort Fit #3050<br><br><input type="checkbox"/> Marble Products 3000W   | <b>Bowl Selection -</b><br><br>K100 comes standard with a Comfort Fit #3050 Solid Surface bowl. May substitute for a Marble Products 3000W Cultured Marble Bowl (by request).   |
| <input type="checkbox"/> Black<br><input type="checkbox"/> White<br><br><input type="checkbox"/> Other: _____                                      | <b>Bowl Color -</b><br><br>Standard black, white ship the quickest. See next page for other bowl color choices.   |
| <input type="checkbox"/> 650 Faucet / 1001 VB<br><input type="checkbox"/> Other: _____   | <b>Fixture Choice -</b><br><br>Standard fixture set is a single lever valve with whiz sprayer on the opposite corner. Contact us for ASME A112.18.1 requirements.   |
| <input type="checkbox"/> Black<br><input type="checkbox"/> White<br><br><input type="checkbox"/> Custom (mfr/color): _____                         | <b>Laminate Color Choice -</b><br><br>Stock laminate colors included in base price are: Black (Wilsonart 1595-60), White (Wilsonart 1573-60). If requesting a special laminate please provide the manufacturer's name and color code number. There will be a modest up-charge for custom color choices - please call for a quote. |
| <input type="checkbox"/> Horizontal<br><input type="checkbox"/> Vertical   | <b>Grain Orientation for Custom Laminates -</b><br>For Custom Laminate choices please indicate the orientation of the grain (if applicable).  |
| <input type="checkbox"/> Black<br><input type="checkbox"/> White<br><input type="checkbox"/> Stainless Steel                                       | <b>Shroud Color -</b><br>Black, white are included in the base price. Optional upgrade to a Stainless Steel shroud is available for an up charge.   |
| QTY _____  | <b>Number of units being ordered.</b>   |
| <input type="checkbox"/> 1701 Poly Hair Trap<br><input type="checkbox"/> 8750 Cast Iron Hair Trap<br><input type="checkbox"/> 750 Chrome Hair Trap | <b>Optional Hair Interceptor -</b><br>Do you need a hair trap? We offer three (3) choices of optional hair interceptors/traps.  |
| <input type="checkbox"/> 1070 Mixing Valve   | <b>Optional Anti-Scald Mixing Valve -</b><br>Are you required to have an anti-scald mixing valve? We offer a kit with ASSE 1070 valve that can be installed on the mounting panel.  |

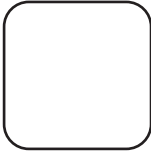
**Ship to Contact:**  
(name, number) \_\_\_\_\_

**Project Name** \_\_\_\_\_  
**and Location:** \_\_\_\_\_

**Ship to Address:** \_\_\_\_\_

# K100 BOWL COLOR OPTIONS

## Comfort Fit #3050 Bowl Color Options



White



Black

**2023 Note: Marble Products is only producing Black, White, Almond and Nutmeg colors at this time.**

## Marble Products 3000W Bowl Solid Color Options



140 Flame Red



301 Nutmeg



305 White



306 Black



309 Charcoal



311 Sand



314 Ginger



318 Mist Grey



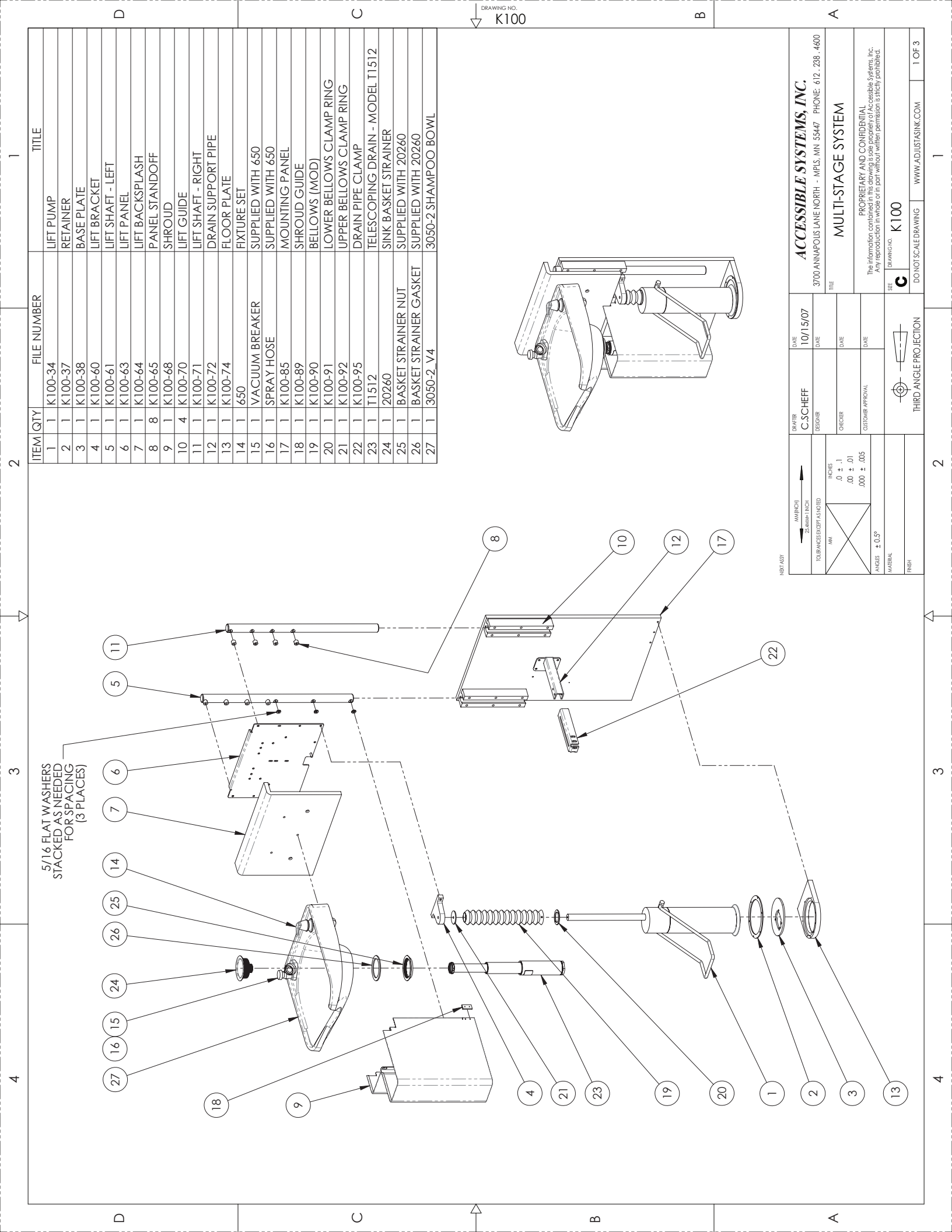
319 Spanish Red



322 Pearl

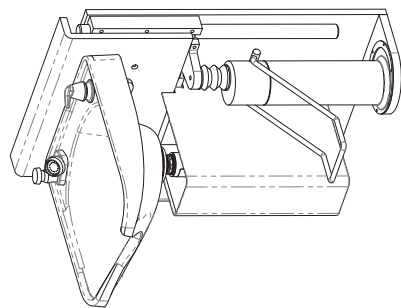


332 Almond

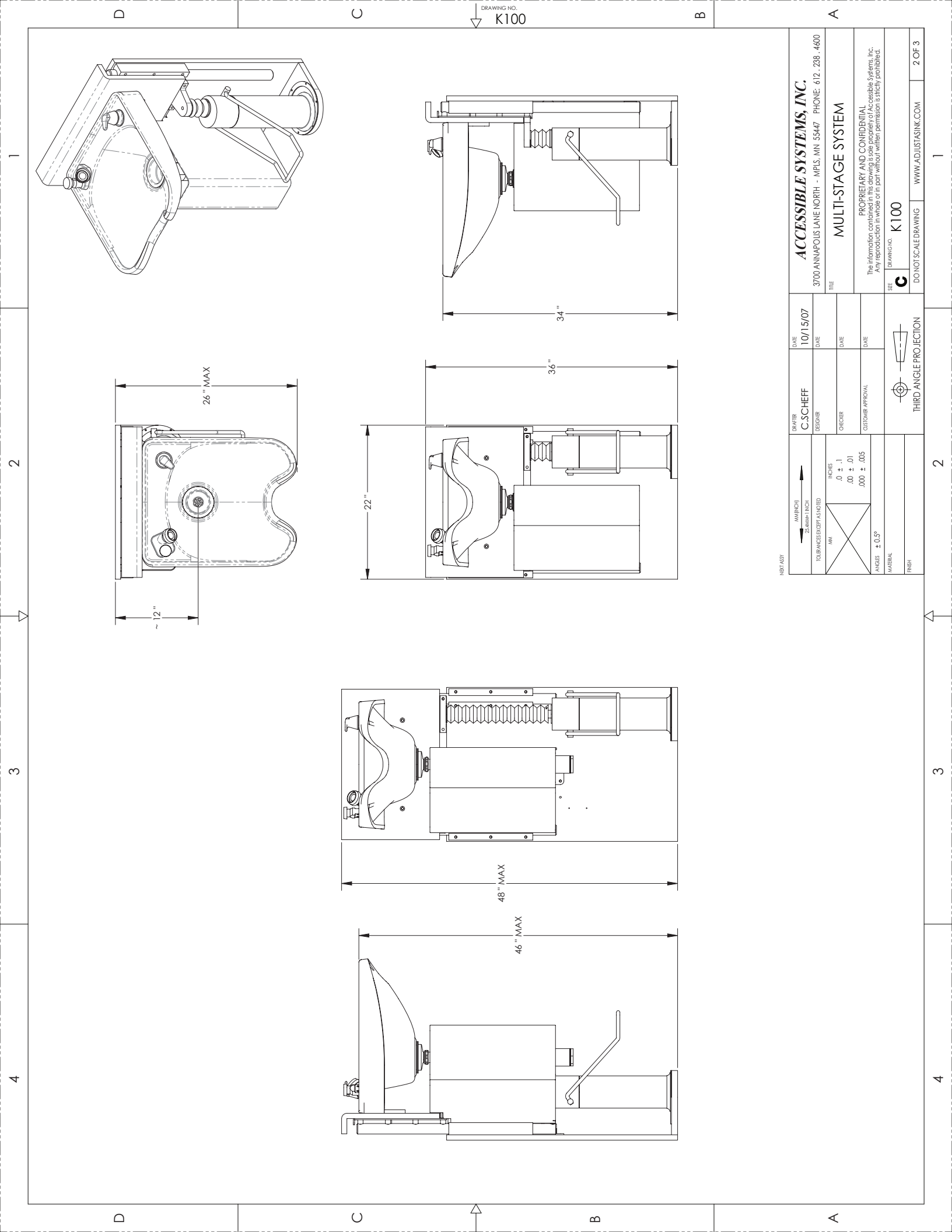


5/16 FLAT WASHERS  
STACKED AS NEEDED  
FOR SPACING  
(3 PLACES)

| ITEM | QTY | FILE NUMBER            | TITLE                           |
|------|-----|------------------------|---------------------------------|
| 1    | 1   | K100-34                | LIFT PUMP                       |
| 2    | 1   | K100-37                | RETAINER                        |
| 3    | 1   | K100-38                | BASE PLATE                      |
| 4    | 1   | K100-60                | LIFT BRACKET                    |
| 5    | 1   | K100-61                | LIFT SHAFT - LEFT               |
| 6    | 1   | K100-63                | LIFT PANEL                      |
| 7    | 1   | K100-64                | LIFT BACKSPASH                  |
| 8    | 8   | K100-65                | PANEL STANDOFF                  |
| 9    | 1   | K100-68                | SHROUD                          |
| 10   | 4   | K100-70                | LIFT GUIDE                      |
| 11   | 1   | K100-71                | LIFT SHAFT - RIGHT              |
| 12   | 1   | K100-72                | DRAIN SUPPORT PIPE              |
| 13   | 1   | K100-74                | FLOOR PLATE                     |
| 14   | 1   | 650                    | FIXTURE SET                     |
| 15   | 1   | VACUUM BREAKER         | SUPPLIED WITH 650               |
| 16   | 1   | SPRAY HOSE             | SUPPLIED WITH 650               |
| 17   | 1   | K100-85                | MOUNTING PANEL                  |
| 18   | 1   | K100-89                | SHROUD GUIDE                    |
| 19   | 1   | K100-90                | BELLOWS (MOD)                   |
| 20   | 1   | K100-91                | LOWER BELLOWS CLAMP RING        |
| 21   | 1   | K100-92                | UPPER BELLOWS CLAMP RING        |
| 22   | 1   | K100-95                | DRAIN PIPE CLAMP                |
| 23   | 1   | T1512                  | TELESCOPING DRAIN - MODEL T1512 |
| 24   | 1   | 20260                  | SINK BASKET STRAINER            |
| 25   | 1   | BASKET STRAINER NUT    | SUPPLIED WITH 20260             |
| 26   | 1   | BASKET STRAINER GASKET | SUPPLIED WITH 20260             |
| 27   | 1   | 3050-2_V4              | 3050-2 SHAMPOO BOWL             |



|   |  |   |  |
|---|--|---|--|
| DRAWING NO. <b>K100</b><br>DATE <b>10/15/07</b> |  | <b>ACCESSIBLE SYSTEMS, INC.</b><br>3700 ANNAPOLIS LANE NORTH - MPLS, MN 55447 PHONE: 612 - 238 - 4600   |  |
| DRAWER <b>C.SCHEFF</b><br>DESIGNR               |  | FILE <b>MULTI-STAGE SYSTEM</b>  |  |
| CHECKER<br>CUSTOMER APPROVAL                    |  | PROPRIETARY AND CONFIDENTIAL<br>The information contained in this drawing is the sole property of Accessible Systems, Inc.<br>Any reproduction in whole or in part without written permission is strictly prohibited. |  |
| INCHES<br>.01 ± .01<br>.00 ± .01<br>.000 ± .005 |  | SEE DRAWING NO. <b>K100</b>   |  |
| FINISH<br>MATERIAL                              |  | DO NOT SCALE DRAWING WWW.ADJUSTASINK.COM  |  |
| THIRD ANGLE PROJECTION                          |  | 1 OF 3  |  |



DRAWING NO. K100

|  |      |  |
|--|------|--|
| <b>ACCESSIBLE SYSTEMS, INC.</b><br>3700 ANNAPOLIS LANE NORTH - MPLS, MN 55447 PHONE: 612 . 238 . 4600  |      | DATE<br><b>10/15/07</b>                            |
| DRAWN BY<br><b>C. SCHEFF</b>   | DATE | DATE   |
| CHECKED BY   | DATE | DATE   |
| CUSTOMER APPROVAL  | DATE | DATE   |
| TITLE<br><b>MULTI-STAGE SYSTEM</b>   |      | SEE DRAWING NO.<br><b>K100</b>                     |
| PROPRIETARY AND CONFIDENTIAL<br>The information contained in this drawing is the sole property of Accessible Systems, Inc. Any reproduction in whole or in part without written permission is strictly prohibited. |      | DO NOT SCALE DRAWING<br><b>WWW.ADJUSTASINK.COM</b> |
| MATERIAL<br><b>FINISH</b>  |      | THIRD ANGLE PROJECTION                             |

RESERVE WORK SPACE FOR SYLIST IN SALON PLAN. IF MULTIPLE SINKS ARE INSTALLED ALONG THE SAME WALL, SPACE AT 54" OR GREATER ON CENTER

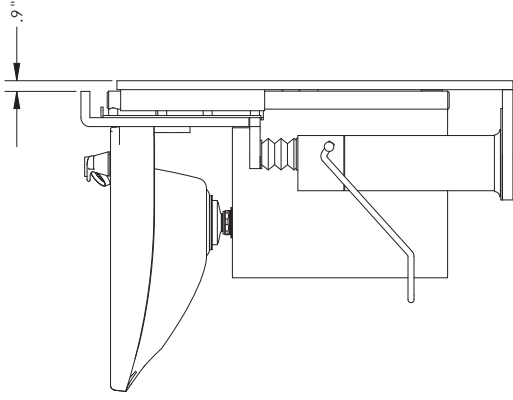
RESERVE FOR STYLIST WORK SPACE

PREFERRED WORK SIDE

RESERVE FOR STYLIST WORK SPACE

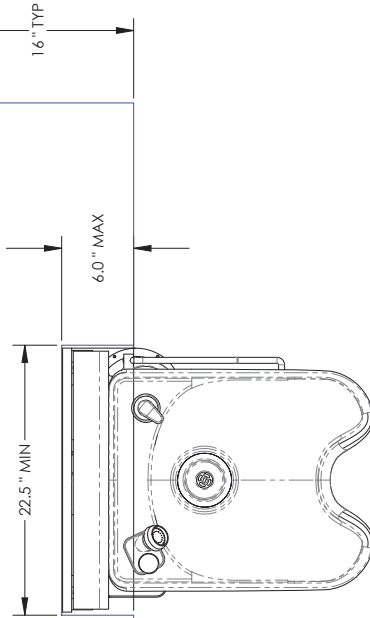
ALTERNATE WORK SIDE. THIS SIDE OF SINK MAY BE CLOSER TO WALL OR OBSTACLES IF PREFERRED SIDE SPACE IS RESERVED

THE ADJUSTABLE BACKSLASH REQUIRES ADEQUATE CLEARANCE TO LIFT. ADD SPACER BLOCKS OR PANELS BEHIND WALL MOUNT PANEL IF TRIMWORK OR OTHER ELEMENT WILL INTERFERE



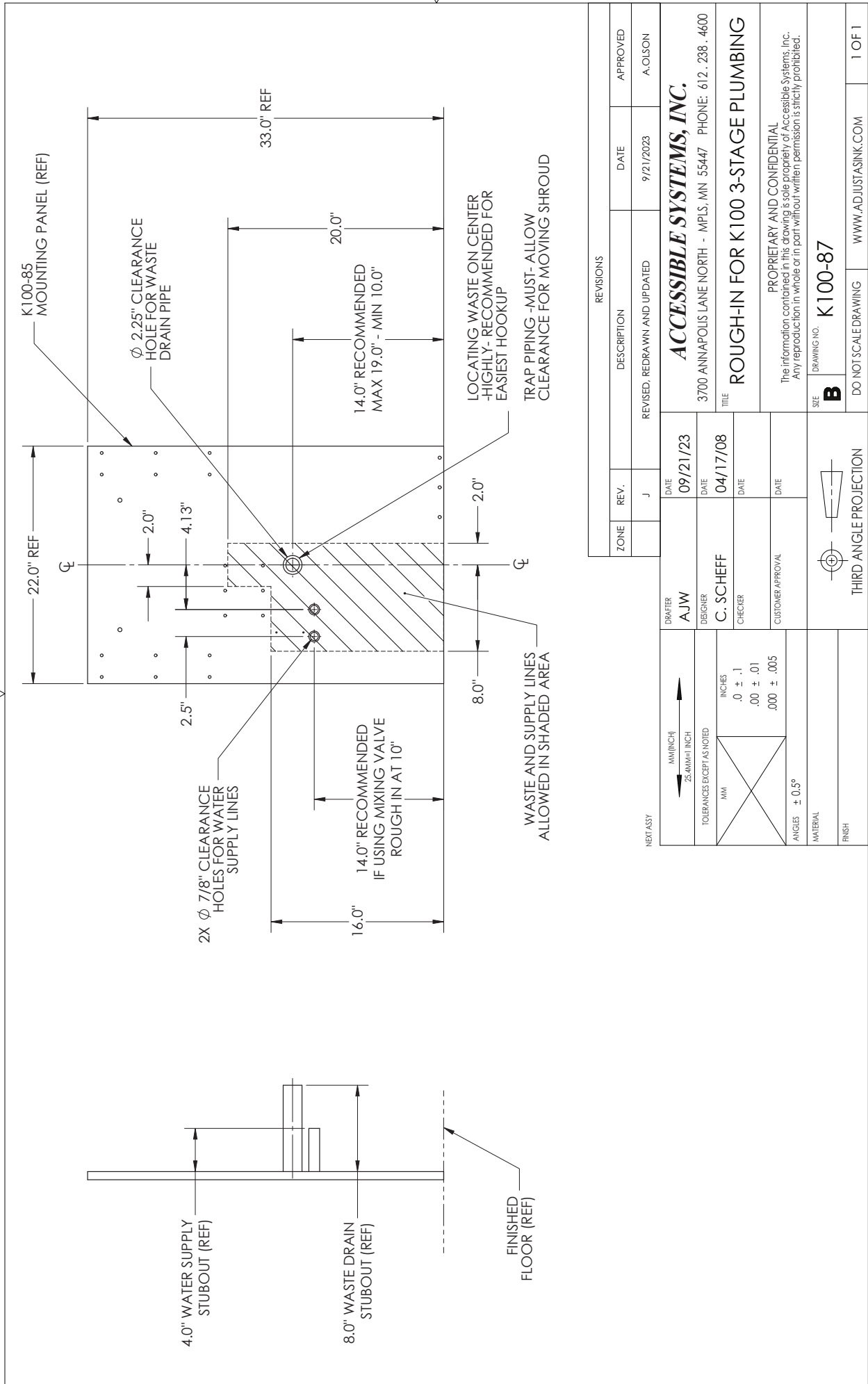
THE ADJUST-A-SINK MAY BE MOUNTED FLUSH TO A WALL OR FRONT FACE OF CABINETS. THE UNIT MAY ALSO BE RECESSED FROM CABINET FACE BY A MAXIMUM OF 6" TO ALLOW FOR WORK ACCESS

CABINET WITH RECESSED AREA FOR SINK MOUNTING



NOTE: ASST

|   |                             |   |                     |
|---|-----------------------------|---|---------------------|
| DRAWER<br><b>C. SCHEFF</b><br>DESIGNER  | DATE<br><b>10/15/07</b>     | ACCESSIBLE SYSTEMS, INC.<br>3700 ANNAPOLIS LANE NORTH - MPLS, MN 55447 PHONE: 612.238.4600  |                     |
| CHECKER<br>CUSTOMER APPROVAL  | DATE<br>DATE                | FILE<br><b>MULTI-STAGE SYSTEM</b>   |                     |
| TOLERANCES EXCEPT AS NOTED<br>INCHES<br>.01 ± .01<br>.005 ± .005<br>ANGLES ± 0.5°<br>MATERIAL<br>FINISH | SEE DRAWING NO. <b>K100</b> | PROPRIETARY AND CONFIDENTIAL<br>The information contained in this drawing is the property of Accessible Systems, Inc. Any reproduction in whole or in part without written permission is strictly prohibited. |                     |
| THIRD ANGLE PROJECTION  |                             | DO NOT SCALE DRAWING  | WWW.ADJUSTASINK.COM |



REVISIONS

| ZONE | REV. | DESCRIPTION                  | DATE      | APPROVED |
|------|------|------------------------------|-----------|----------|
|      | J    | REVISED, REDRAWN AND UPDATED | 9/21/2023 | A. OLSON |

**ACCESSIBLE SYSTEMS, INC.**  
 3700 ANNAPOLIS LANE NORTH - MPLS., MN 55447 PHONE: 612. 238. 4600

**ROUGH-IN FOR K100 3-STAGE PLUMBING**

PROPRIETARY AND CONFIDENTIAL  
 The information contained in this drawing is sole property of Accessible Systems, Inc.  
 Any reproduction in whole or in part without written permission is strictly prohibited.

SEE DRAWING NO. **K100-87**

DO NOT SCALE DRAWING WWW.ADJUSTASINK.COM 1 OF 1

| DRAFTER           | DATE     |
|-------------------|----------|
| AJW               | 09/21/23 |
| DESIGNER          | DATE     |
| C. SCHEFF         | 04/17/08 |
| CHECKER           | DATE     |
|                   |          |
| CUSTOMER APPROVAL | DATE     |
|                   |          |

| INCHES      |
|-------------|
| .0 ± .1     |
| .00 ± .01   |
| .000 ± .005 |

ANGLES ± 0.5°

MATERIAL

FINISH

THIRD ANGLE PROJECTION

| MM            |
|---------------|
| 0.1 ± 0.25    |
| 0.02 ± 0.025  |
| 0.002 ± 0.005 |

ANGLES ± 0.5°

MATERIAL

FINISH



# MODEL K100V



- The K100-V Adjust-a-Sink System elevates the shampoo bowl a total of 12” vertically.
- Height distance from the floor to the neck of the bowl ranges from 31”-43”
- The basic dimensions of a unit in the “down” position are: 22” Wide, 27” Deep and 36” High (to the top of the backsplash)
- A self-contained maintenance free foot operated hydraulic pump provides the lift capacity needed to raise the shampoo bowl. The hydraulic pump’s foot pedal is free to rotate approximately 90 degrees to the side anytime the operator requires.
- Components are manufactured from stainless steel, aluminum and coated steel. The design has proven to provide years of trouble-free service when properly cleaned and maintained.
- Manufactured to be compatible with the Belvedere 8400K bowl.
- NOTE: K100V Models are NOT UPC listed.

## Model K100V Standard Configurations:

- Belvedere 8400K Cast Iron Bowl
  - Complete with 522 Faucet, 403 Vacuum Breaker, and Spray Hose
  - Standard Colors are Black and White
- Basket Strainer for Shampoo Bowl (Supplied by Accessible Systems, Inc)
- Durable Painted Steel Drain Shroud in Black, White or Almond
- Hot & Cold Water Supply Lines (1/2: FIP to 3/8 comp)
  - PLEASE NOTE we do not supply the hot and cold shut off valves
- Patent Pending Hard Telescoping Plumbing
  - PLEASE NOTE we do not supply the 1 1/2" "P" trap
- Easy-to-Use Hydraulic Pump - made in the USA 5 Year Warranty
- 2 year warranty on all other parts and workmanship
- Backboard & backsplash of Wilsonart laminate which is available in 3 standard colors:
  - Frosty White, Black or Almond

**DISCONTINUED**  
**CAST IRON BOWL NO LONGER IN PRODUCTION**  
**SUBSTITUTE K100 with COMFORT FIT BOWL**

Photo of Standard White Configuration with Belvedere Bowl

|  |  |
|--|--|
|    |                                    |
| <p>K100-V standard WHITE<br/>         -WHITE Belvedere 8400K<br/>         -Wilsonart 1573-60 Frosty White<br/>         -WHITE Painted Shroud</p> | <p>522 Fixture with 403 VB<br/>         Includes ASSE 1001 Vacuum Breaker<br/>         Optional - 503 VB available</p> |