

Adjust-a-Sink®

E140 SERIES

INSTALLATION INSTRUCTIONS

3/2023

There are three keys to a successful installation:

1. Locate the drain rough-in along the centerline of the installed sink system. Hair interceptors need to be aligned straight back to not interfere with the moving shroud when fully assembled.

If the rough-in is not on center and you are installing on a cabinet – correct the offset within the cabinet bulkhead space.

2. This unit requires both supply lines installed on the left of the drain connection.

3. Secure the telescoping drain and verify the full range of vertical motion of the sink FIRST, then connect the trap between the drain and rough-in. You may need to construct a trap from components to get the elevations to align.

Your system comes in two boxes, what is included:

Shampoo Bowl box (left in photo): 24"x26"x15", 36 lbs. Contains the 3050 bowl, bowl, fixtures, spray hose, and vacuum breaker or backflow preventer.

E140 box: 14" x 28" x 39", 95 lbs. Contains the main unit lift system, panels and shrouds.



Required Hardware/Supplies Not Included: 1 ½" UPC Listed P-Trap, 90 Degree Supply line shut-off valves, Lag Bolts and/or 5/16" Bolts-Washers-Nuts (if mounting to cabinet), Plumbing Supplies such as Plumbers Putty, Sealant, Silicone Caulk, etc.

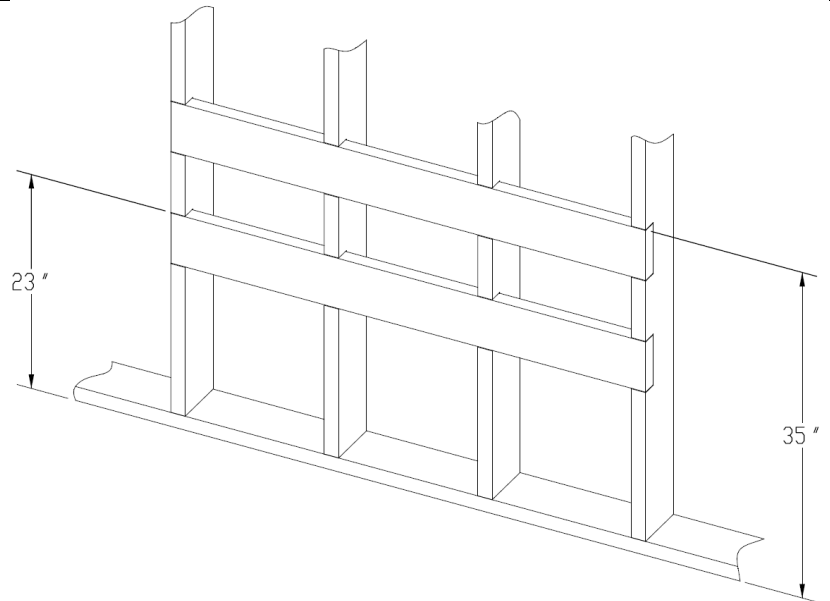
For replacement part orders or further information please contact Customer Service at: (612) 238-4600
Local Building Codes May Apply. Adjust-a-Sink® is a registered trademark of Accessible Systems, Inc.

STEP 1: SITE EVALUATION, PLUMBING ROUGH IN, & MOUNTING PANEL PREPARATION

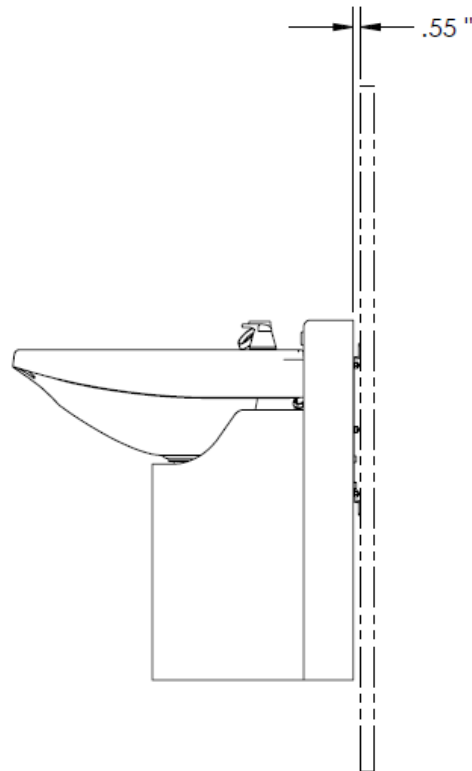
The Adjust-a-Sink® System is designed to be mounted directly to the face of a finished interior wall, with the proper rough-in plumbing already installed. The System can also be cabinet or station mounted by a qualified installer.

For installation directly on a wall, place blocking behind finished wall as shown here:

If mounting to a cabinet, have the bulkhead section constructed of $\frac{3}{4}$ " plywood and mounted securely to framing members.



The adjustable backsplash requires adequate clearance to lift. The clearance to the back wall surface is $\frac{1}{2}$ inch. Add spacer blocks or panels behind the unit if trim work or counter tops will interfere.

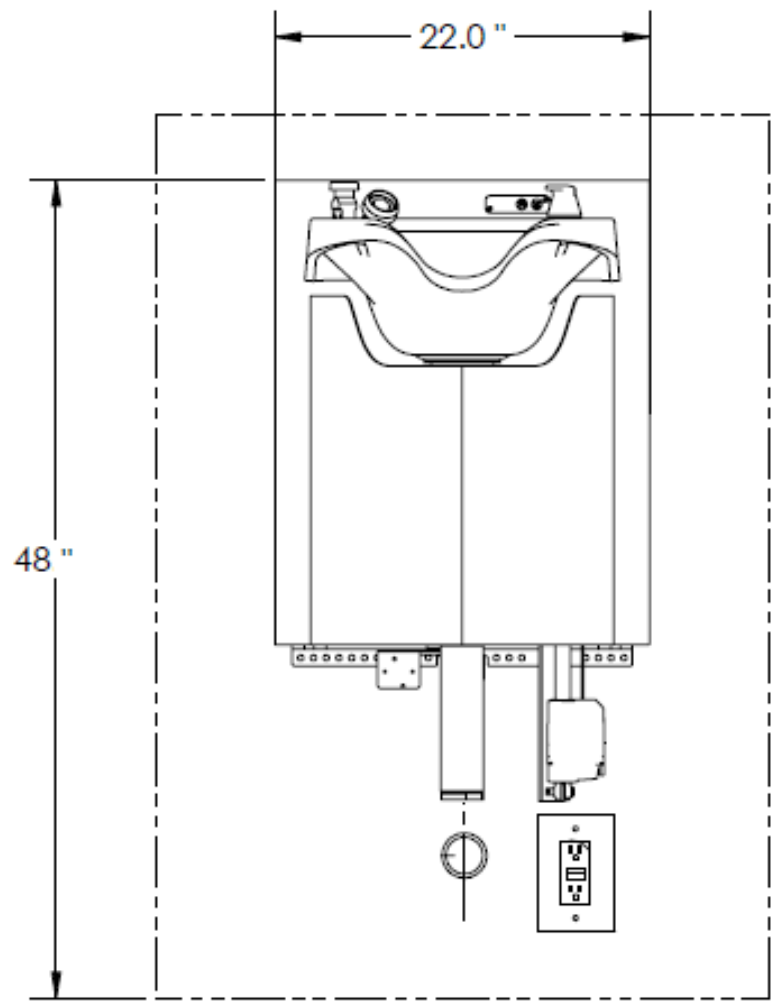


1A. The Adjust-a-Sink is 22" wide and 34" high, the sink and backsplash will elevate to 48".

The drain waste rough in should be centered beneath the sink, the center of the drain is 10" from the left edge of the metal mounting panel. Keeping this in mind will simplify the process.

The supplies should both be located on the left side of the drain.

A GFCI receptacle should be installed to the right of the drain. Alternately, salon workstations typically have receptacles in a cabinet on the right side of the sinks, holes can be drilled and the power cord can be passed through to these connections. The E140 comes with a 10' 3-prong power cord.



Installed Unit – in UP Position

Please see page 19 of these instructions for the E140 Plumbing Rough-In Drawing

The following Step-by-Step Instructions reference the following Accessible Systems drawings:

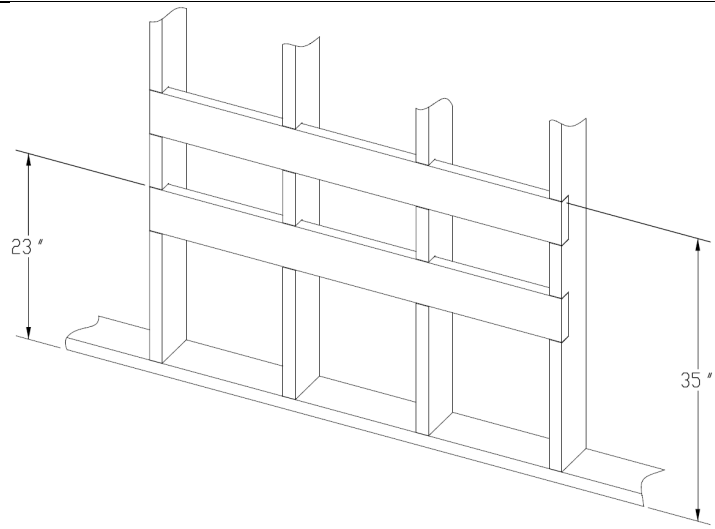
E140 Overall Assembly, Sheets 1 through 3

E140 Plumbing Rough-in Drawing (sheet 4)

STEP 2: MOUNTING THE LIFT UNIT

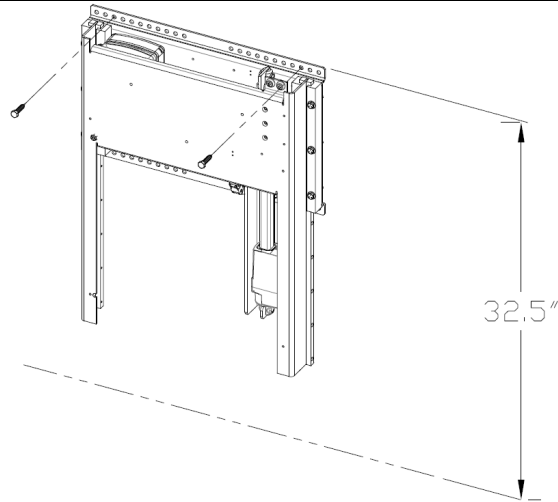
2A. Carefully unpack the balance of the Adjust-a-Sink® System and verify all components are included and undamaged. The Adjust-a-Sink® System comes with most of its components already assembled.

For installation on a wall, place blocking behind finished wall as shown here. If mounting to a cabinet, have the bulkhead section constructed of $\frac{3}{4}$ " plywood and mounted securely to framing members.



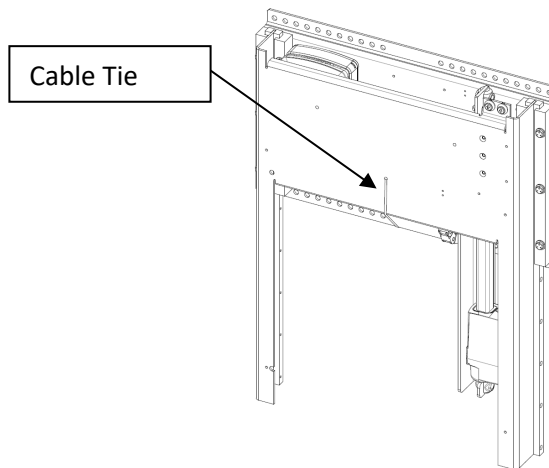
2B. Install the Lift Unit to the cabinet or wall using a minimum of four $\frac{5}{16}$ " fasteners of appropriate type and length. Mount the top edge of the lift unit 32.5" above the floor for the recommended final bowl height adjustment range.

Start by securing the unit with a minimum of two fasteners through the top row of mounting holes.

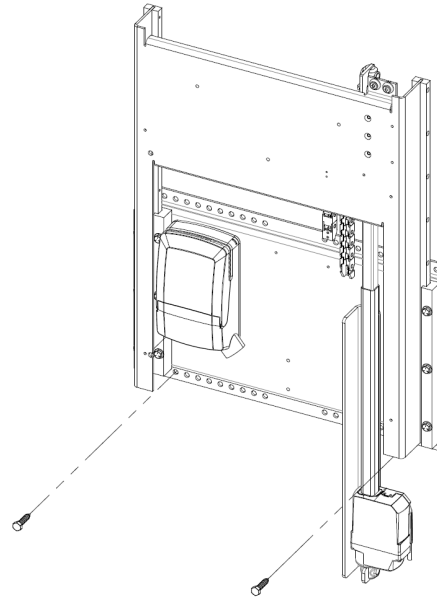


2C. Remove the cable tie which secures the slide section to the wall mounting panel section.

Temporarily plug in the unit in and use the buttons to raise the front panel to its maximum height, an extension cord may be needed.



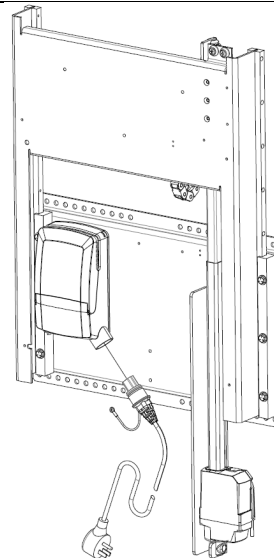
2D. Install two 5/16" fasteners of appropriate type and length through the bottom row of mounting holes.



2E. Unwrap the AC power cord as needed and plug in to the intended receptacle.

Press the switches on the upper right of the lift unit and verify the vertical travel and movement of the slide section before continuing with the installation.

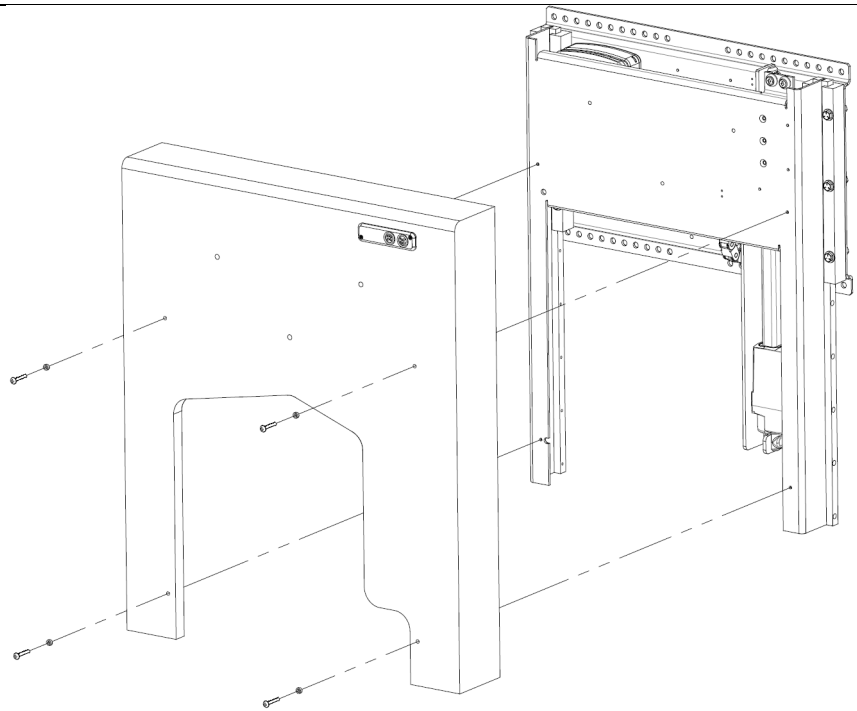
Secure any excess supply cord so it will not interfere with the slide sections when in use.



TROUBLESHOOTING:

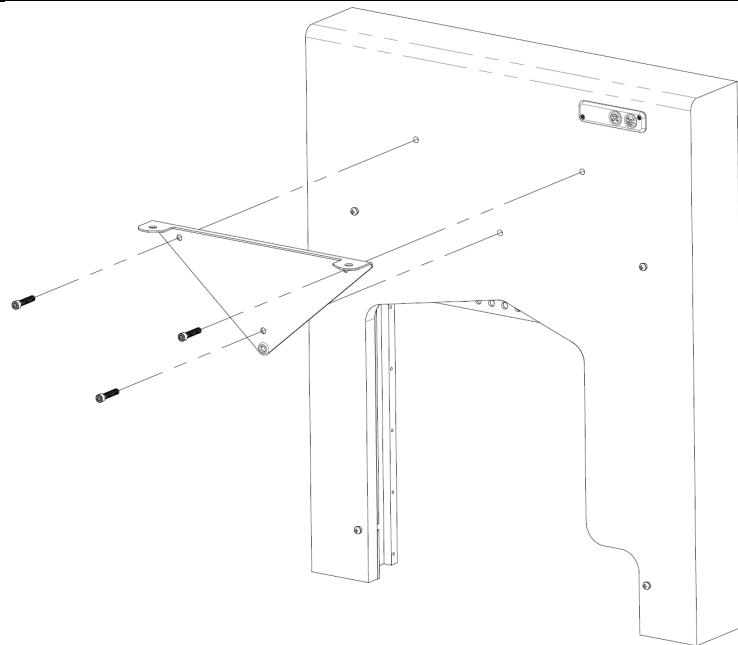
1. The linear actuator has built-in limit switches, so if it is at the end of travel, it will not move or make any noise, try the reverse direction switch.
2. The linear actuator has a safety mechanism, so it only pushes the lift up, gravity pulls the lift down. The slides on a new lift may be tight until break in, and the lift may not drop at this step of the installation. The unit will drop with the full weight of the assembly and sink installed. You can push down on the lift to get it back to the bottom position.

2F. Mount the laminated or solid surface front panel to the slide section using four #10-32 screws with plastic spacers.

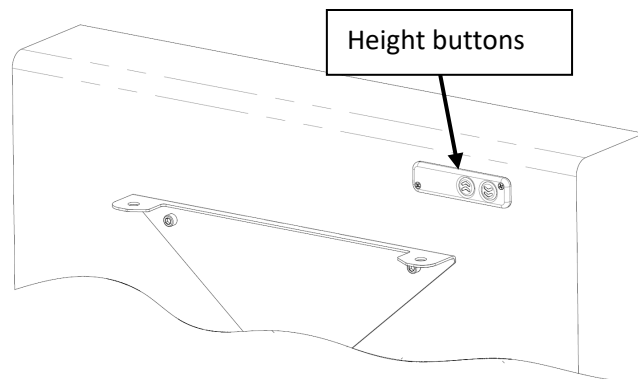


2G. IF your shampoo bowl uses a bracket, attach it now to the front panel using 1/4-20 x 1-1/4" bolts.

NOTE: Comfort Fit bowls have the mounting bracket molded into the bowl itself, if this is the bowl you have, skip this step, there is not separate bracket to mount.



2H. Test the operation of the height adjustment buttons on the front panel. The buttons are pre-adjusted at the factory to properly engage the switches on the lift unit, but can be field adjusted if needed.



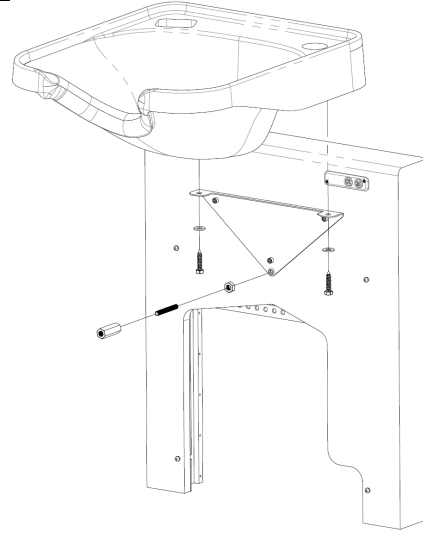
STEP 3: FINISH PLUMBING

3A. Finish the supply water line installation. For both the Hot and Cold, use 1/2" x 3/8" (copper tube OD x ID) 90-degree Angle Compression Water Supply Shutoffs and Trim Bezels. (Not Supplied)

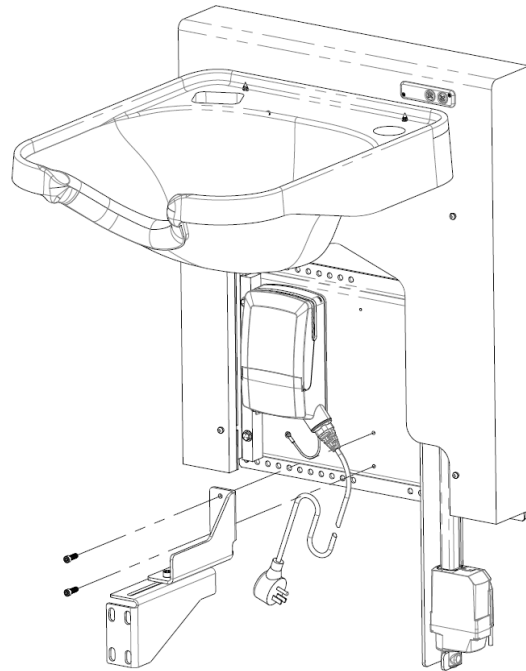
3B. Shampoo Bowl: Install the faucet, hose and all related pieces to the shampoo bowl per the instructions provided from the manufacturer.

3C. If you have a Comfort Fit bowl with an integral molded bracket, mount it directly to the Front Panel with three 1/4-20 x 2" bolts provided.

If you have a bowl with a separate bracket, Install the sink leveling bolt onto the sink mounting bracket, then mount the shampoo bowl on the Sink Mounting Bracket. Be sure to level the sink to the Front Panel, secure its position using the leveling bolt under the sink and properly secure it by tightening the nut under each side of the bowl.



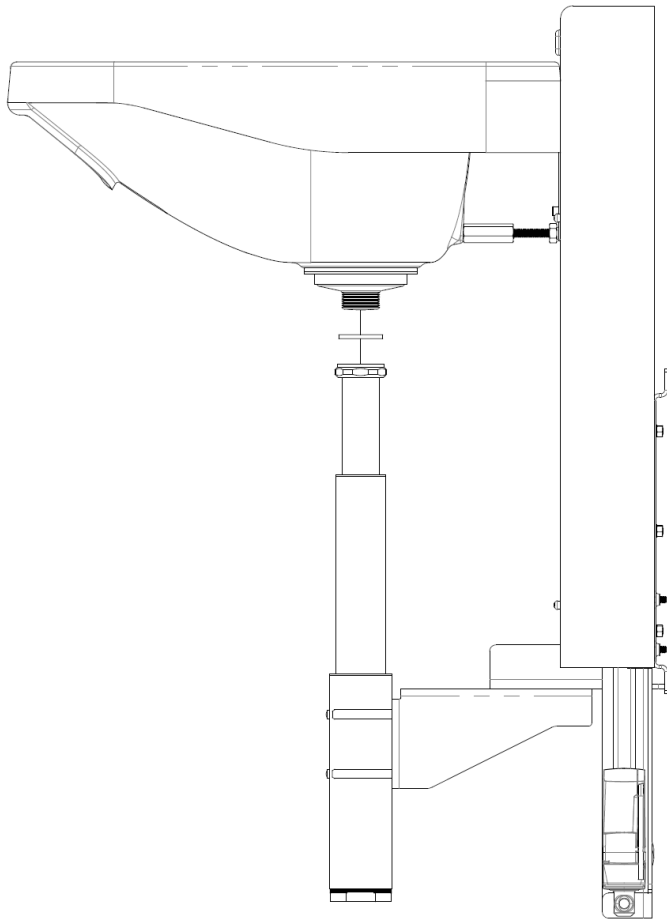
3D. elevate the shampoo bowl to its highest position. Mount the Drain Support Bracket assembly onto the mounting panel using the two 1/4-20" x 3/4" bolts provided. Make sure the two 5/16" bolts holding the Drain Clamp Bracket to the Drain Support Bracket & the hose clamps are loose enough to make adjustments.



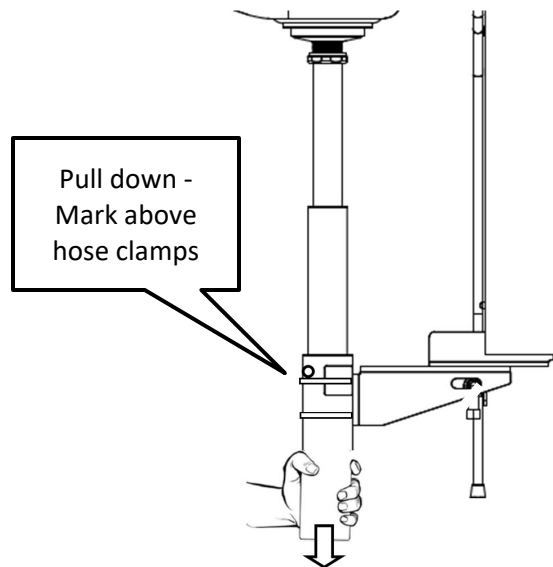
3E. Install the T1514 telescoping drain to the end of the drain pipe support bracket with two hose clamps provided.

With the shampoo bowl still at its highest position extend the Telescoping drain to the basket strainer. Connect the slip joint nut to the basket strainer; make sure to use the vinyl or rubber slip joint gasket at the joint. Adjust the Drain Clamp Bracket so that the Telescoping Drain unit is plumb to the floor and hand tighten the two 5/16" bolts holding the bracket together.

NOTE: It is critical to the proper operation of the telescopic drain that the bowl strainer basket is level, front to back and side to side, and the telescopic drain is installed perpendicular to the floor – any deviation to this will cause premature wear and possible failure of the drain system.



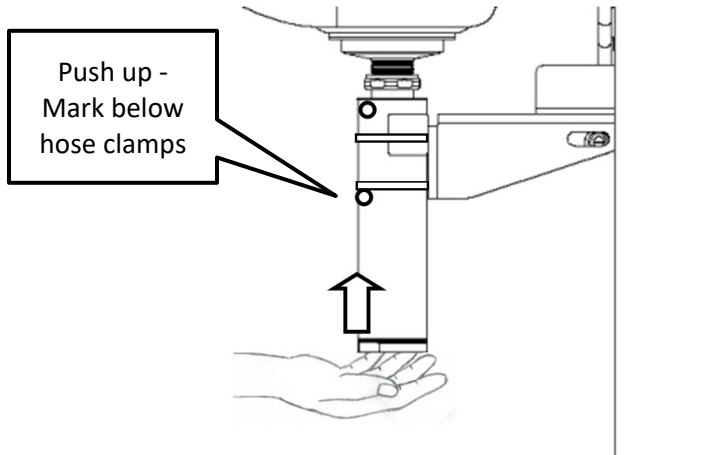
3F. With the sink in its highest position, pull down on the base of the telescoping drain so it is fully extended. Using tape, a marker or other means, mark along the top of the hose clamp. Tighten one hose clamp enough so the drain will not slide for the next step.



3G. Now move the unit to the lowest position and fully tighten the two 5/16" bolts holding the pipe clamp to the drain support bracket making sure the drain is still plumb and parallel. Also make sure the bracket is aligned with the bottom section of drain before tightening.

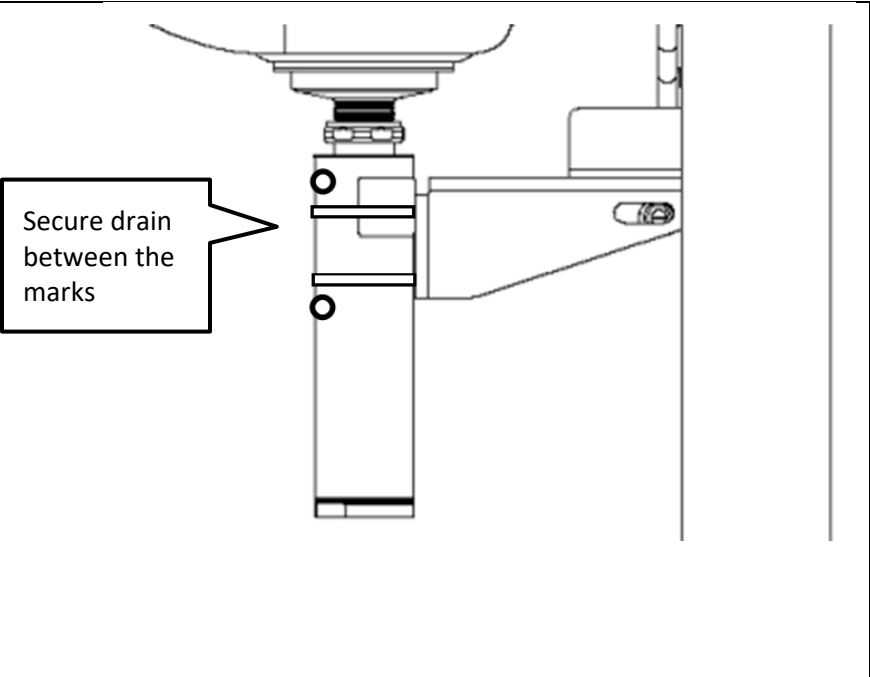


3H. With the sink in its lowest position, loosen the hose clamps enough to slide the base of the telescoping drain up so it is fully contracted. Using tape, a marker or other means, scribe a line on the drain unit along the bottom of the hose clamp.



3i. Adjust the base section of the drain unit up about 1/4" from full extension, centering the hose clamp between the marks made, and tighten the hose clamps. Move the sink to both up & down extremes to check for binding. Make any minor adjustments to eliminate any binding before proceeding.

NOTE: When the unit is installed at the recommended height, the bottom of the drain should be between 11" and 12" from the floor when correctly positioned.



IMPORTANT: Do not trim or alter the Telescopic Drain in any way. All components that make up the Telescopic Drain Pipe Subassembly are integrated and work together. Altering its design, or removing the lubricant will cause premature if not total failure of the telescopic drain mechanism and VOID the warranty.

3J. Dry fit the bottom of the Telescoping Drain to the wastewater drain pipe using a UPC approved P-Trap or a hair trap (not supplied). The outlet is 1-1/2" FPT. Use appropriate plumbing methods to seal and secure the P-trap to the drain and the roughed in waste outlet.

Do not glue the P-Trap until you conduct the Initial Testing Procedure on the following page.



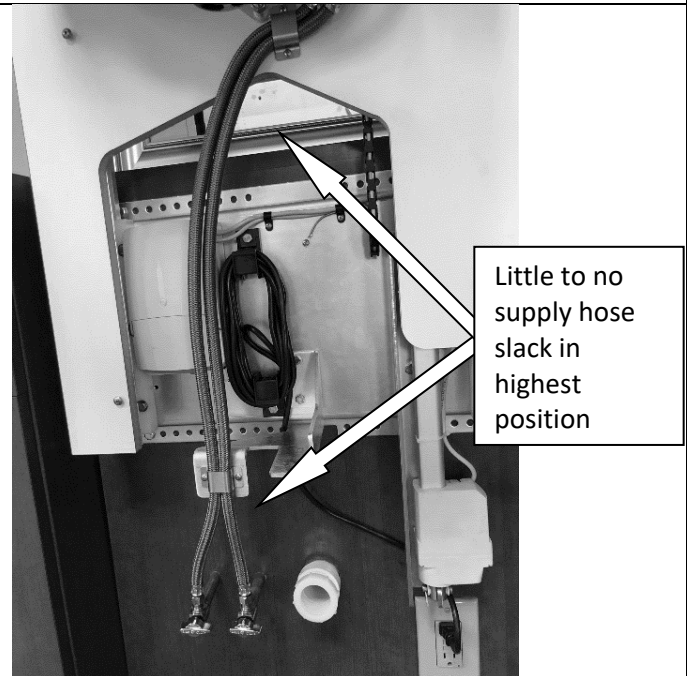
CAUTION: Consider proper alignment when performing the final connection of the P-Trap to the Telescoping Drain and wastewater drain pipe. The Telescoping Drain cannot be allowed to bind; the motion should be smooth and continuous. After P-Trap installation and proper alignment and smooth action is achieved, connect the tailpiece nut to the basket strainer and tighten all associated hardware. Use the included rubber gasket between the tailpiece and basket strainer.

3K. INITIAL DRAIN ALIGNMENT TESTING PROCEDURE

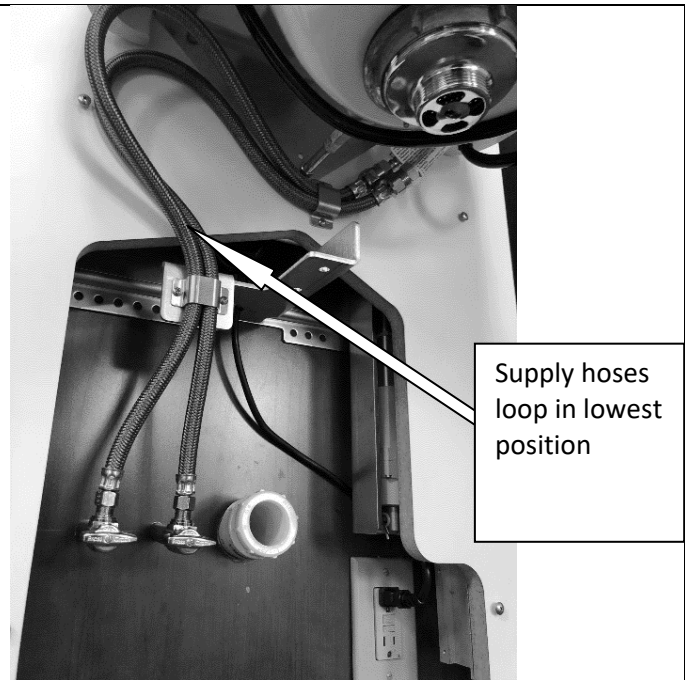
- Raise and lower the unit all the way up and down several times to be sure it is operating properly, without binding **before and after** connecting it to the building drain.
- It is important that the lift system reaches its limits **prior** to the drain extending to its full range. You should be able to vertically move the center section of the drain by at least ¼” at both the upper and lower stops of the lift system. Make any minor adjustments that are needed to keep the lift system from binding and to ensure that the lift system reaches its end of travel limit prior to the 3-Stage Telescopic Drain Assembly extending to its full range.
- Now ensure that all of the parts are tightened securely and glue the P-trap to building drain. Care should be used to ensure you do NOT cause strain or binding on the vertical 3-Stage Telescopic Drain Assembly.

3L. Connect the provided flexible Water Supply Lines to both the faucet and the water supply shutoffs. Use care and good judgment when installing the flexible lines so they are free and unobstructed when traveling with the elevating shampoo bowl.

Start with the unit in its highest position and secure with tubing clamps and #8 screws provided. It is recommended that the two flexible lines be secured to the front panel and drain bracket such that they have just a little slack at the uppermost position.

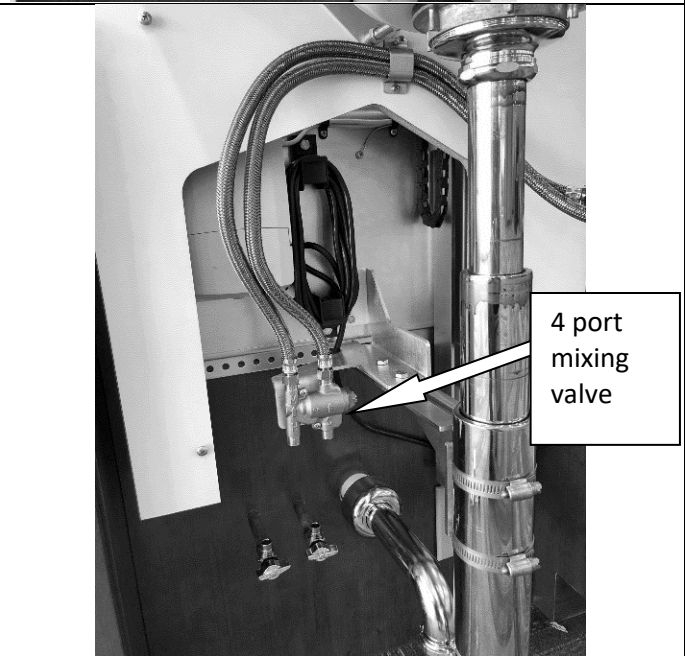


The hoses should flex and loop up on the left side of the bowl without snagging at the lowermost position.



OPTION: If you are installing a mixing valve, attach the valve to the Drain Support Bracket with 8-32 screws and spacers provided.

Connect the flexible supply lines directly to the mixing valve.



3M. FINAL TESTING / LEAK TESTING PROCEDURE

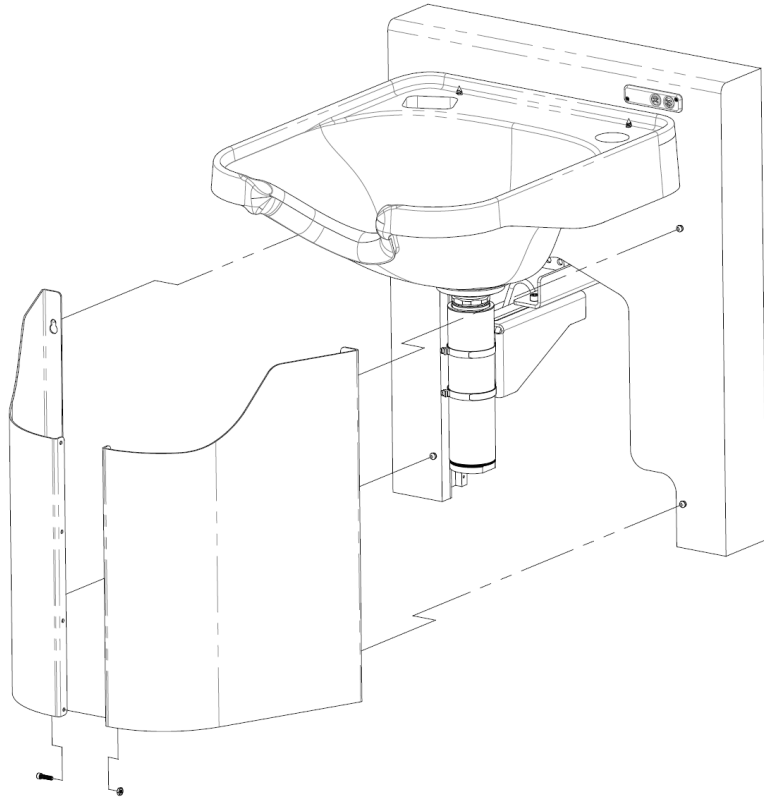
Turn on the faucet and let run for 3-5 minutes at both the highest and lowest height positions. Check all assembled plumbing joints to verify seals. Take appropriate action to address any leaks. The telescopic drains are pressure tested per ASME standards prior to shipment—they should not leak if installed properly.

STEP 4. SHROUD INSTALLATION

4A. With all the plumbing connected and operating smoothly, and prior to installing the Shroud, observe that the Lift is also operating smoothly by raising and lowering the Shampoo Bowl.

4B. Assemble the two halves of the front shroud by bolting them together with the hex head #10 screws and nylock nuts.

Attach the Shroud by hanging the shroud keyhole slots on the four 10-32 screws with spacers protruding from the front panel.



TROUBLESHOOTING:

Problem: The sink raises but won't go down.

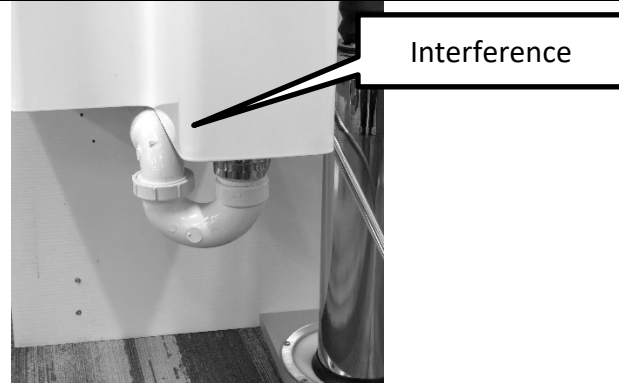
The electric lift is capable of lifting hundreds of pounds but as a safety measure, relies on gravity to lower the sink system. Binding or interference can stop the sink from dropping.

The system may drop very slowly without the bowl and shroud installed since there will be less weight on the lift. *Retry when fully assembled.*

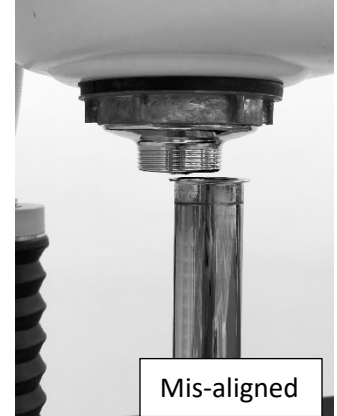
The front shroud may be catching on the trap.

Remove the shroud and retest.

Replumb the trap if it interferes.



The telescoping drain may not be plumb and is binding.
Disconnect the top section from the sink basket and verify alignment as follows.

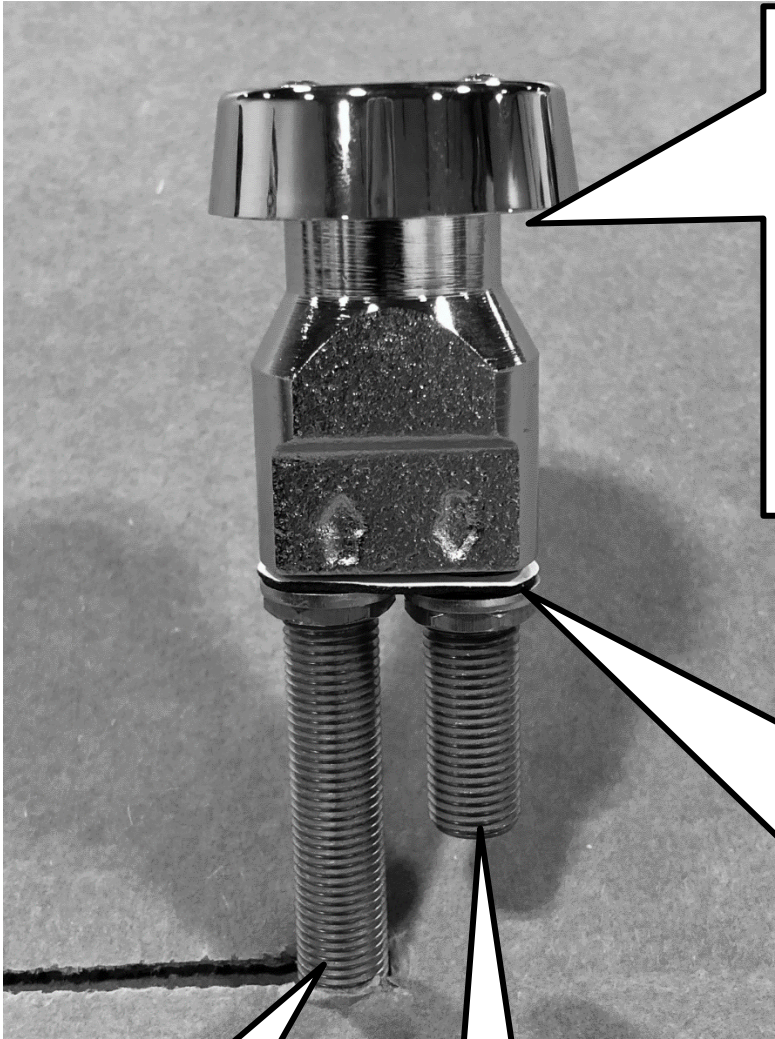


The telescoping drain may be mounted too high. The bottom of the drain should be about 11.5" to 12.0" above the floor.

Adjust the drain for full movement of the sink, reconstruct the trap.



Problem: Vacuum Breaker Leaks



If it leaks from the cap:

1. Make sure the supply is connected to the UP arrow side. Arrows indicate direction of flow
2. Check that the valve diaphragm is installed and undamaged. Loosen the cap by hand to observe, it is a plastic component sealed with an O-ring.

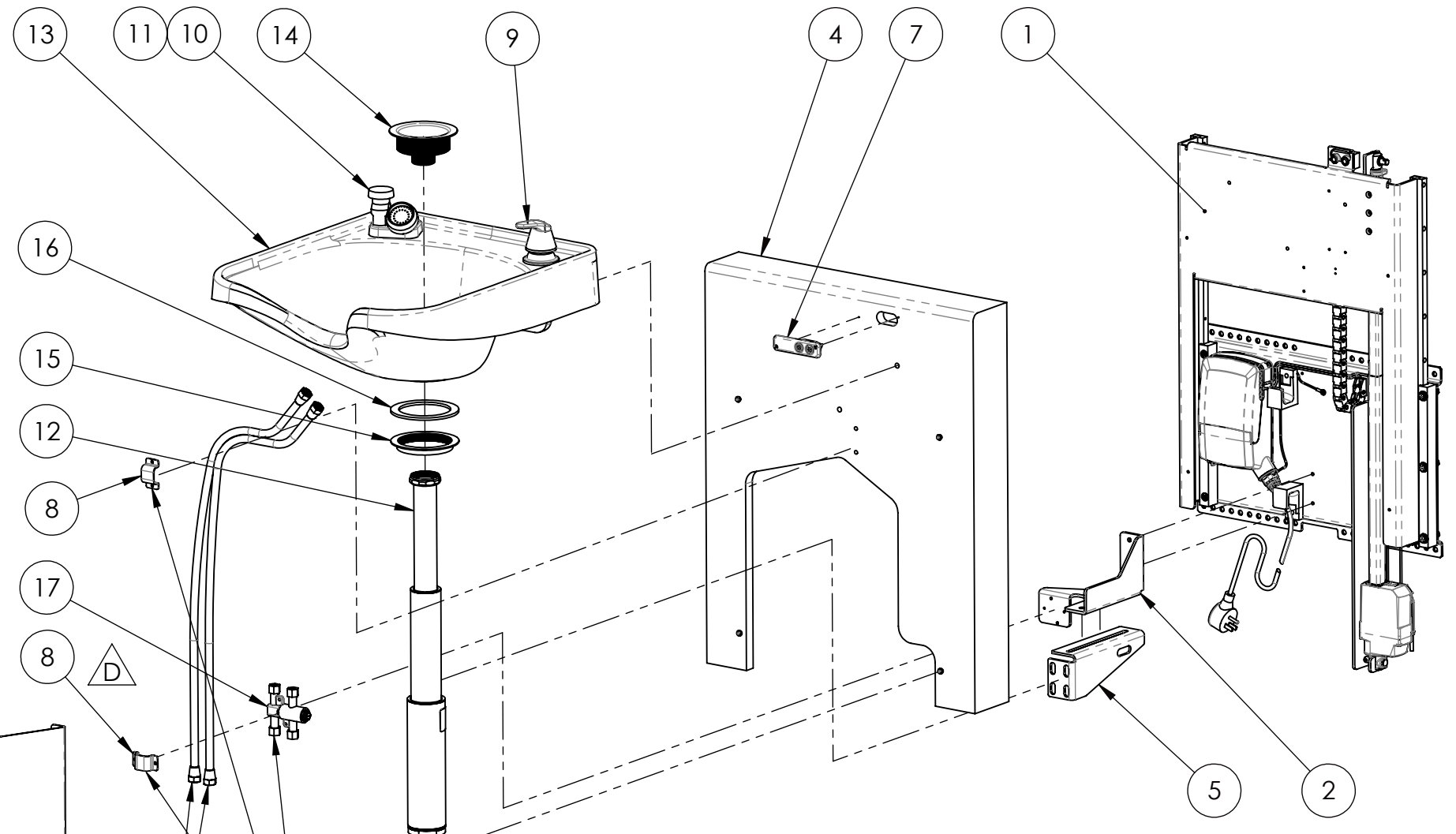
If it leaks from the base:

The brass nipples are tapered pipe fittings, they require Teflon tape or thread sealant before assembly. They are not tightened as supplied in the fixture kit.

INLET
(UP Arrow)
Connect to
control valve

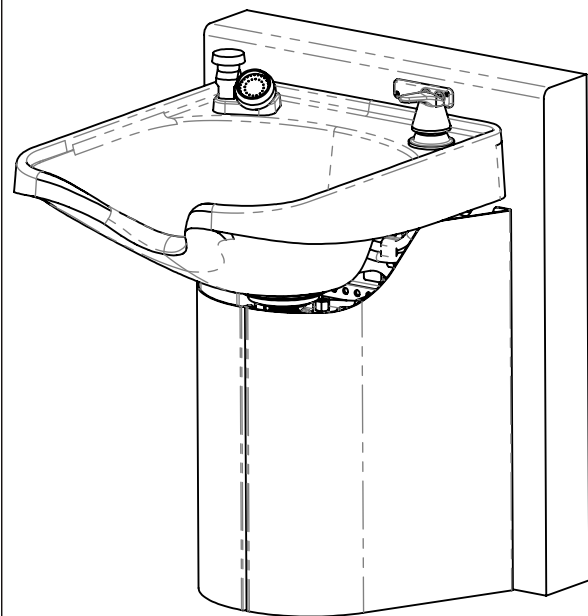
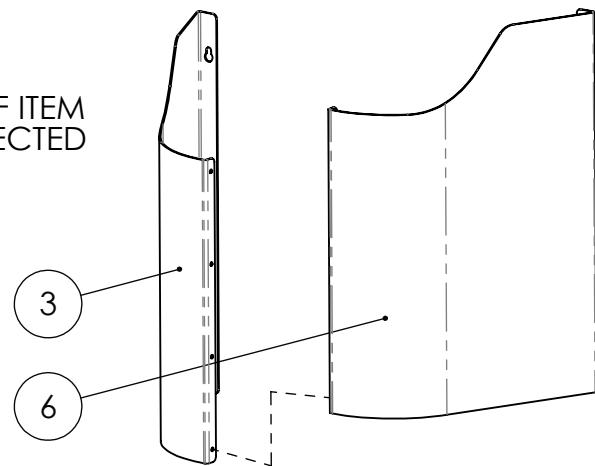
OUTLET
(DOWN Arrow)
Connect to
spray head

ITEM	QTY	FILE NUMBER	TITLE
1	1	40550	LIFT UNIT - E140
2	1	40340	DRAIN SUPPORT BRACKET
3	1	40360	SHROUD - LH
4	1	40420	FRONT PANEL
5	1	40460	DRAIN CLAMP BRACKET
6	1	40480	SHROUD - RH
7	1	40560	CONTROL ASSEMBLY
8	2	40180	DOUBLE HOSE CLAMP
9	1	650	FIXTURE SET
10	1	VACUUM BREAKER	SUPPLIED WITH 650
11	1	SPRAY HOSE	SUPPLIED WITH 650
12	1	T1514	TELESCOPING DRAIN - MODEL T1514
13	1	3050-2_V4	3050-2 SHAMPOO BOWL
14	1	20260	SINK BASKET STRAINER
15	1	BASKET STRAINER NUT	SUPPLIED WITH 20260
16	1	BASKET STRAINER GASKET	SUPPLIED WITH 20260
17	1	MIXING VALVE	MIXING VALVE (REF)



NOTES:

1. LOWER ITEM 9 (CLAMP) CAN BE USED IF ITEM 17 OPTION (MIXING VALVE) IS NOT SELECTED

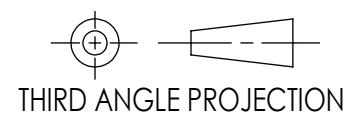


REVISIONS				
ZONE	REV.	DESCRIPTION	DATE	APPROVED
	A	INITIAL RELEASE	4/2/2017	A.OLSON
	B	ADDED MIXING VALVE	3/4/2018	A.OLSON
	C	UPDATED BOM ENTRIES, ADDED SHEET 4	3/21/2018	A.OLSON
B3	D	REMOVE ITEM 20 AND USE ITEM 9, UPDATE BOM DETAILS	3/10/2020	A.OLSON

NEXT ASSY

MM(INCH) 25.4MM=1 INCH	
TOLERANCES EXCEPT AS NOTED	
MM	INCHES
	.0 ± .1
	.00 ± .01
	.000 ± .005
ANGLES ± 0.5°	
MATERIAL	
FINISH	

DRAFTER AJW	DATE 04-02-17
DESIGNER A.OLSON	DATE 03-12-17
CHECKER	DATE
CUSTOMER APPROVAL	DATE



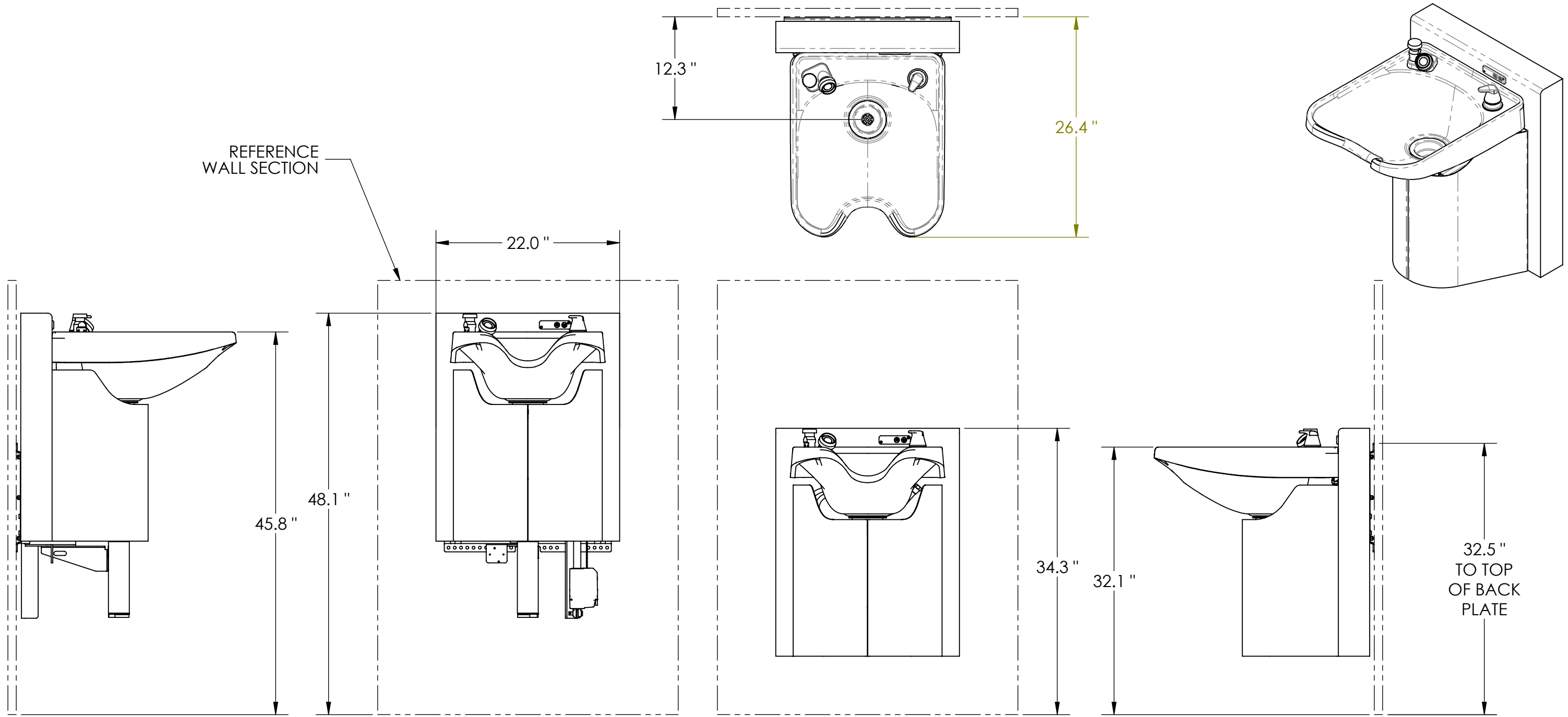
ACCESSIBLE SYSTEMS, INC.
9917 13TH AVENUE NORTH - MPLS, MN 55441 PHONE: 612 . 238 . 4600

TITLE
TELESCOPING DRAIN - AUTO

PROPRIETARY AND CONFIDENTIAL
The information contained in this drawing is sole propriety of Accessible Systems, Inc.
Any reproduction in whole or in part without written permission is strictly prohibited.

SIZE **B** DRAWING NO. **E140**

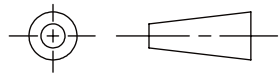
DO NOT SCALE DRAWING WWW.ADJUSTASINK.COM 1 OF 4



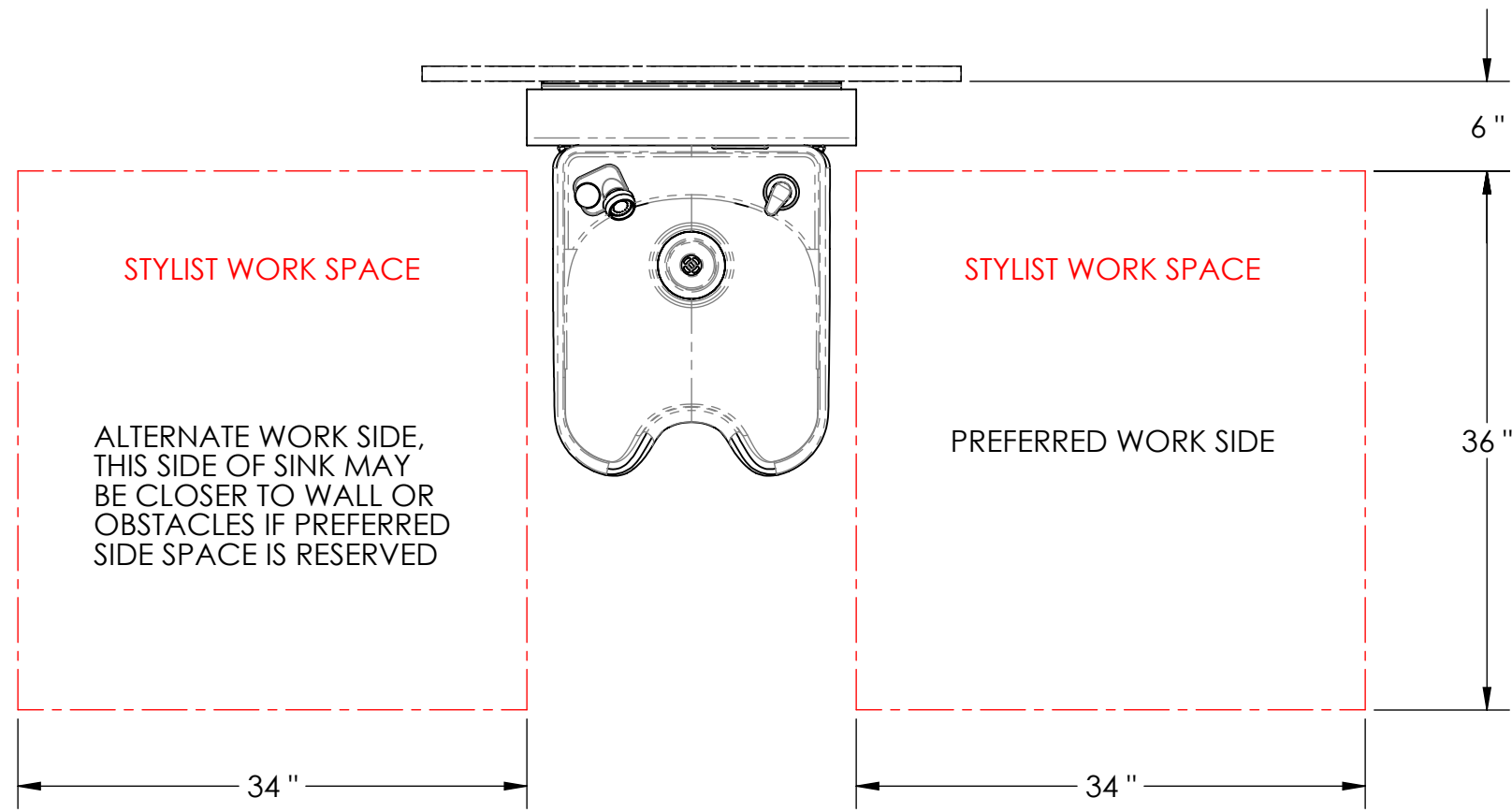
NEXT ASSY

MM(INCH) 25.4MM=1 INCH	
TOLERANCES EXCEPT AS NOTED	
MM	INCHES
X	.0 ± .1
X	.00 ± .01
X	.000 ± .005
ANGLES ± 0.5°	
MATERIAL	
FINISH	

DRAFTER AJW	DATE 04-02-17
DESIGNER A.OLSON	DATE 03-12-17
CHECKER	DATE
CUSTOMER APPROVAL	DATE

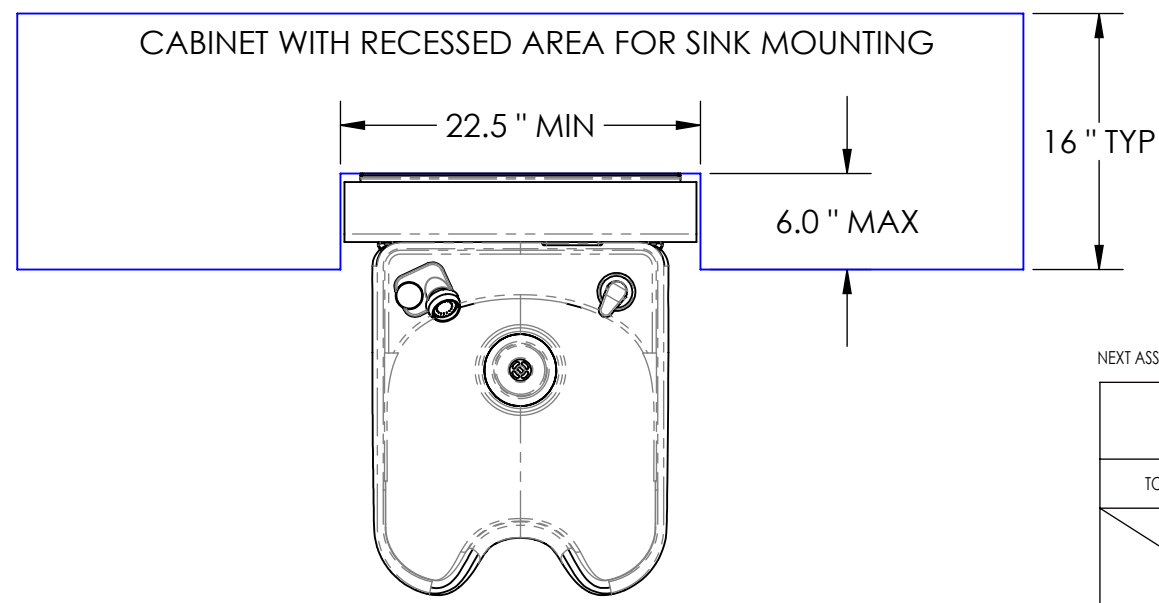
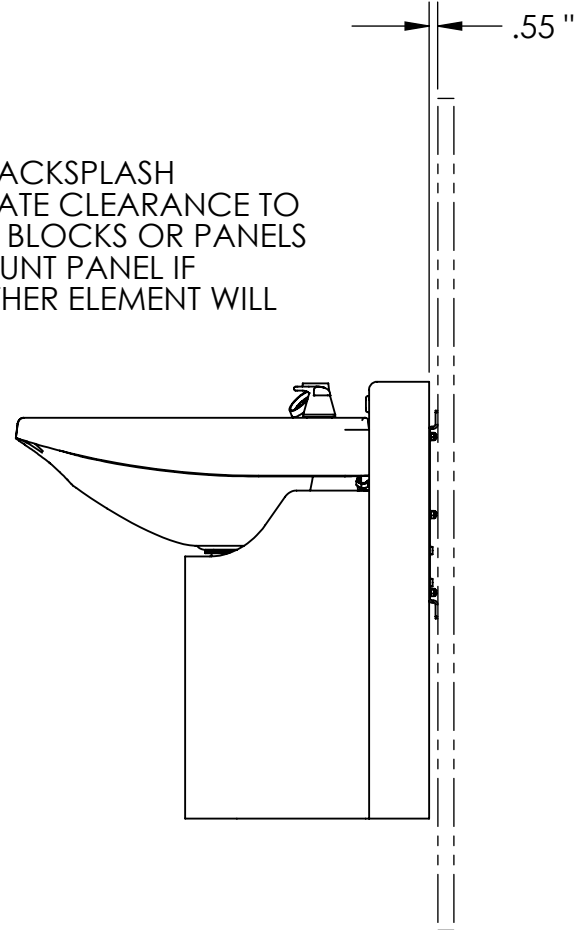

 THIRD ANGLE PROJECTION

ACCESSIBLE SYSTEMS, INC.		
9917 13TH AVENUE NORTH - MPLS, MN 55441 PHONE: 612 . 238 . 4600		
TITLE TELESCOPING DRAIN - AUTO		
PROPRIETARY AND CONFIDENTIAL The information contained in this drawing is sole propriety of Accessible Systems, Inc. Any reproduction in whole or in part without written permission is strictly prohibited.		
SIZE B	DRAWING NO. E140	
DO NOT SCALE DRAWING	WWW.ADJUSTASINK.COM	2 OF 4



RESERVE WORK SPACE FOR SYLIST IN SALON PLAN. IF MULTIPLE SINKS ARE BEING INSTALLED ALONG THE SAME WALL, SPACE AT 54" OR GREATER ON CENTER

THE ADJUSTABLE BACKSPLASH REQUIRES ADEQUATE CLEARANCE TO LIFT, ADD SPACER BLOCKS OR PANELS BEHIND WALL MOUNT PANEL IF TRIMWORK OR OTHER ELEMENT WILL INTERFERE.

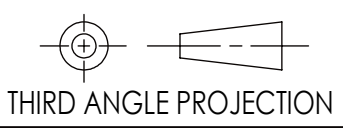


THE ADJUST-A-SINK MAY BE MOUNTED FLUSH TO A WALL OR FRONT FACE OF CABINETS. THE UNIT MAY ALSO BE RECESSED FROM CABINET FACE BY A MAXIMUM OF 6"

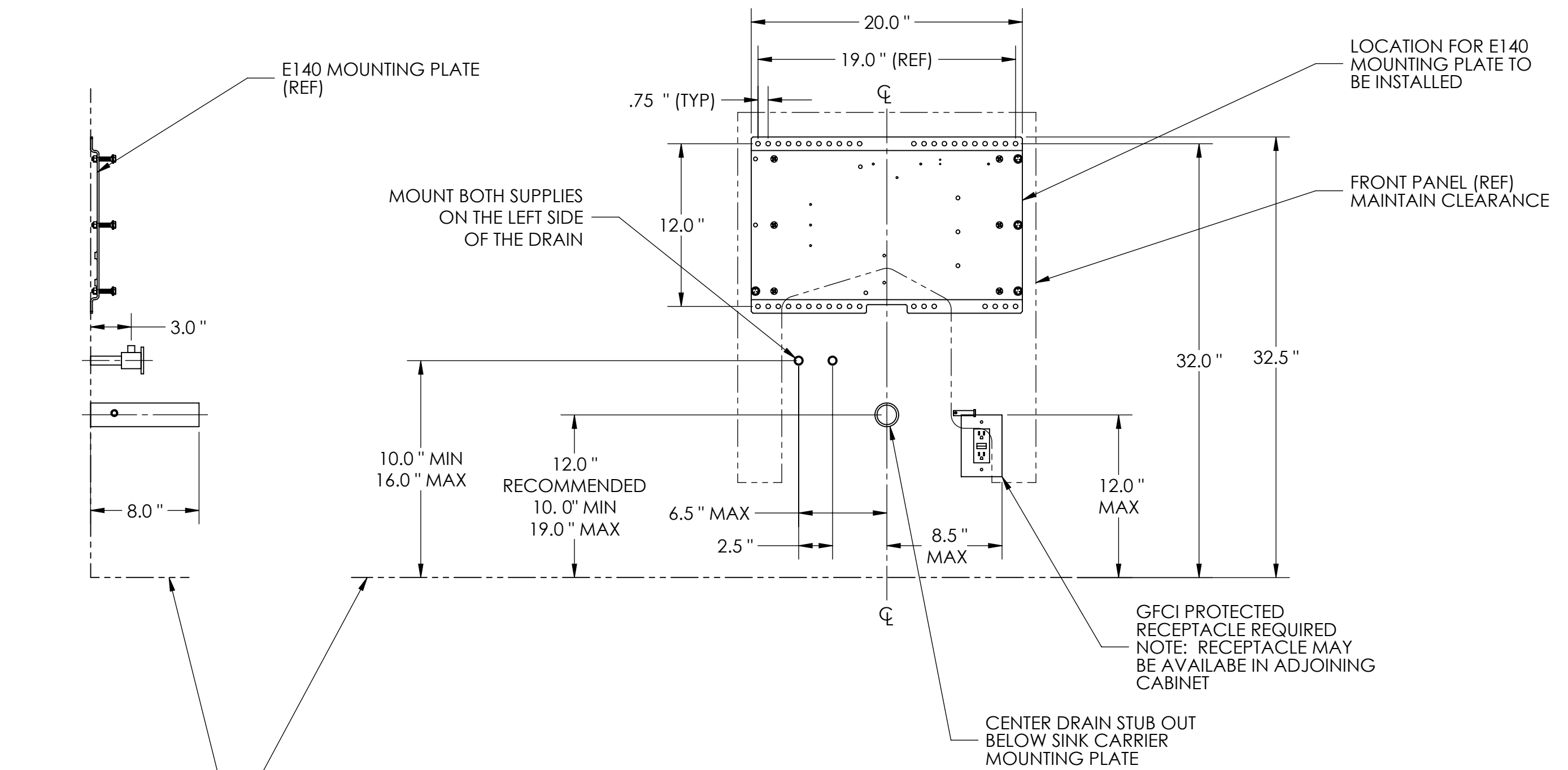
NEXT ASSY

MM(INCH) 25.4MM=1 INCH	
TOLERANCES EXCEPT AS NOTED	
MM	INCHES
X	.0 ± .1
X	.00 ± .01
X	.000 ± .005
ANGLES ± 0.5°	
MATERIAL	
FINISH	

DRAFTER AJW	DATE 04-02-17
DESIGNER A.OLSON	DATE 03-12-17
CHECKER	DATE
CUSTOMER APPROVAL	DATE



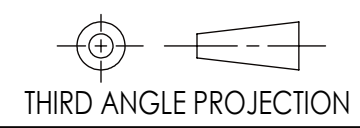
ACCESSIBLE SYSTEMS, INC.		
9917 13TH AVENUE NORTH - MPLS, MN 55441 PHONE: 612 . 238 . 4600		
TITLE TELESCOPING DRAIN - AUTO		
PROPRIETARY AND CONFIDENTIAL The information contained in this drawing is sole propriety of Accessible Systems, Inc. Any reproduction in whole or in part without written permission is strictly prohibited.		
SIZE B	DRAWING NO. E140	
DO NOT SCALE DRAWING	WWW.ADJUSTASINK.COM	3 OF 4



NEXT ASSY

MM(INCH) 25.4MM=1 INCH	
TOLERANCES EXCEPT AS NOTED	
MM	INCHES
X	.0 ± .1
X	.00 ± .01
X	.000 ± .005
ANGLES ± 0.5°	
MATERIAL	
FINISH	

DRAFTER AJW	DATE 04-02-17
DESIGNER A.OLSON	DATE 03-12-17
CHECKER	DATE
CUSTOMER APPROVAL	DATE



ACCESSIBLE SYSTEMS, INC.		
9917 13TH AVENUE NORTH - MPLS, MN 55441 PHONE: 612 . 238 . 4600		
TITLE E140 ROUGH-IN		
PROPRIETARY AND CONFIDENTIAL The information contained in this drawing is sole propriety of Accessible Systems, Inc. Any reproduction in whole or in part without written permission is strictly prohibited.		
SIZE B	DRAWING NO. E140	
DO NOT SCALE DRAWING	WWW.ADJUSTASINK.COM	4 OF 4

Adjust-a-Sink®

E140 SERIES

TWO YEAR LIMITED WARRANTY

Adjust-a-Sink E140 Series products from Accessible Systems, Inc. have been manufactured under the highest standards of quality and workmanship. Accessible Systems, Inc. warrants to the original end-user purchaser this product to be free from defects in material and workmanship during normal use for two (2) years from date of purchase. A replacement for any defective part will be supplied for installation by you. Defects or damage caused by the use of other than genuine Adjust-a-Sink parts are not covered by this warranty. This warranty shall be effective from the date of purchase shown on the purchaser's receipt.

This warranty is valid for the original purchaser only and excludes product damage due to installation error, product abuse, product misuse, wear and tear or stains, whether performed by a contractor, service company, or end user. Accessible Systems, Inc. will not be responsible for labor charges, and/or damage incurred in installation, repair or replacement, nor for incidental, indirect, special, or consequential damages, including without limitation, damage to, or loss of use of, any equipment, lost sales or profits or delay or failure to perform this warranty obligation.

This warranty is void if this product is installed incorrectly or in an improper environment, overloaded, misused, abused, or altered in any manner, or not used under normal operating conditions or not in accordance with accompanying or relevant instructions, packaging or labels.

Accessible Systems, Inc. will advise you of the procedure to follow in making warranty claims. Contact technical support at 612-238-4600 or visit www.adjustasink.com for assistance diagnosing the problem. Product serial numbers and proof of purchase date are required.

Adjust-a-Sink®

E140 SERIES

MAINTENANCE MANUAL

BASIC FEATURES: The Adjust-a-Sink® System elevates the Shampoo Bowl a total of 14". Distance from the floor to the top of the bowl ranges from approximately 32" to 46". An electric actuator provides the lift capacity needed to raise the shampoo bowl. Components are manufactured from the high-grade materials and should provide years of trouble-free service.

IMPORTANT: IT IS VERY IMPORTANT TO HAVE THE "ADJUST-A-SINK"® INSTALLED CORRECTLY AND THE PLUMBING ALIGNED PERFECTLY. NOT DOING SO COULD RESULT IN UNDUE PRESSURE ON VARIOUS COMPONENT PARTS AND COULD ALSO CAUSE THE PLUMBING TO LEAK.

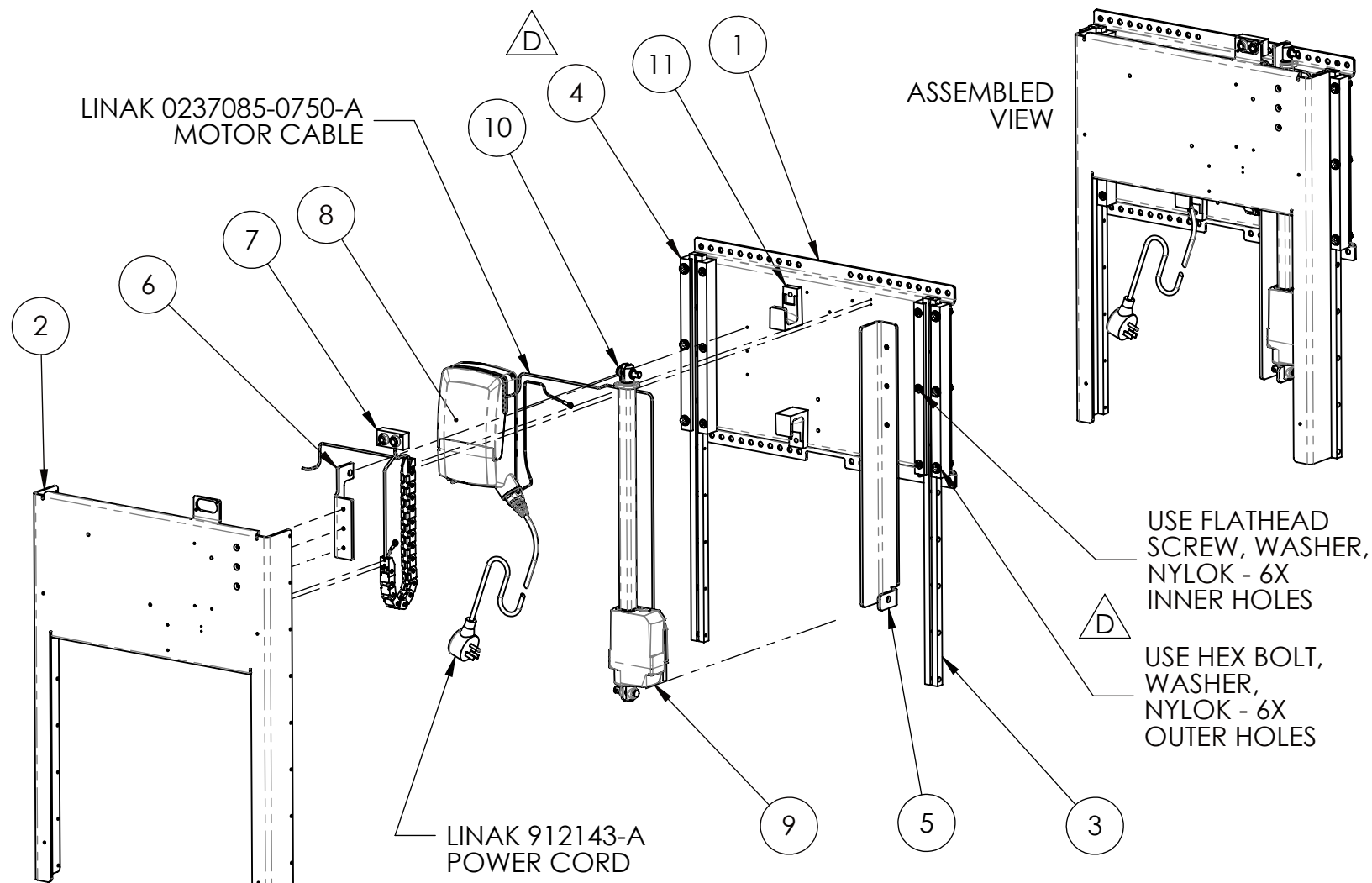
Drain Lubrication: The 3-Stage Drain is pre-lubricated with tested and approved lubricant. When extended, the exposed inner tube sections will be coated with a film of lubricant, do not apply cleaners to remove it. If additional lubrication is required, use a silicone based valve lubricant. Apply lubricant around the upper pair of sections when the drain is fully extended, then elevate the sink up and down to work the lubricant into the seals.

Lift Rail and Slide Lubrication: The rails and slide blocks are lubricated with a silicone gel when assembled. Should this lubricant need replenishing, we recommend a product called "Super Lube O-ring Silicone Lubricant" which can be found at online suppliers.

NOTE: We recommend that you raise and lower the sink at least once weekly to ensure proper lubrication of drain components.

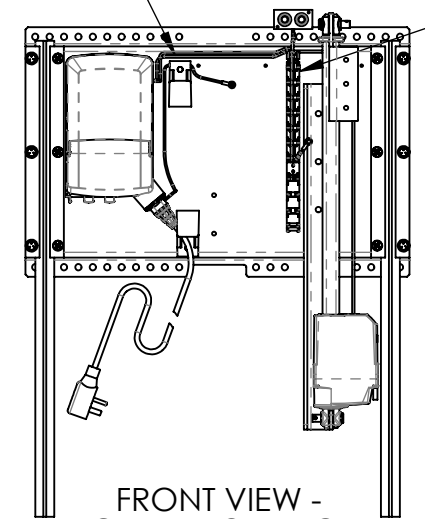
Cleaning: after use or at the end of the day, wipe the shroud and panel with a clean damp cloth, mild cleaning solution or a stainless steel spray cleaner. This will keep your unit looking new. The shampoo sink should be cleaned on a regular basis as well, using a non-abrasive cleaner. For those units equipped with a **Hair Interceptor**, we recommend that you open and clean it out every six months or sooner if sink use warrants.

ITEM	QTY	FILE NUMBER	TITLE
1	1	40300	BACK PLATE
2	1	40320	FRONT PLATE
3	2	40380	RUNNER - BEARING
4	2	41450 RA	BEARING BLOCK
5	1	40440	ACTUATOR BRACKET - LOWER
6	1	40520	ACTUATOR BRACKET - UPPER
7	1	40620	CONTROL CABLE ASSEMBLY
8	1	LINAK CA30	CONTROL BOX
9	1	LINAK LA23-350	LINEAR ACTUATOR
10	2	MCM 97245A177	CLEVIS PIN
11	2	PANDUIT JP75W-L20	J-HOOK

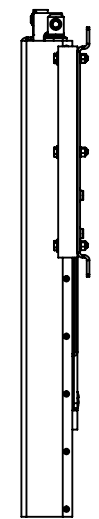


CABLE FROM LINAK CA30 TO ACTUATOR AND BUTTONS. SECURE TO BACK PANEL AND RUN BUTTON CABLE THRU E-CHAIN

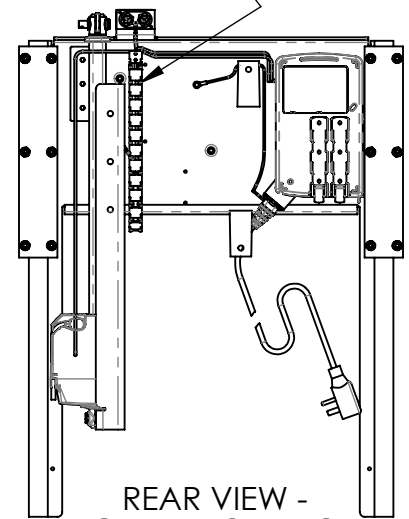
CABLE FROM BUTTONS TO LINAK CA30. SECURE TO FRONT PANEL AND RUN THRU E-CHAIN



FRONT VIEW - CABLE ROUTING (FRONT PANEL REMOVED)



SIDE VIEW

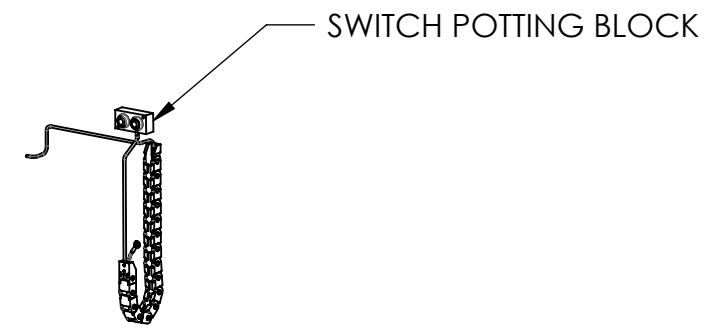


REAR VIEW - CABLE ROUTING (BACK PANEL REMOVED)

USE FLATHEAD SCREW, WASHER, NYLOK - 6X INNER HOLES

USE HEX BOLT, WASHER, NYLOK - 6X OUTER HOLES

REVISIONS				
ZONE	REV.	DESCRIPTION	DATE	APPROVED
	A	INITIAL RELEASE	11/14/2017	A.OLSON
	B	ADDED J-HOOKS, P-CLIPS AND CLEVIS PIN	3/5/2018	A.OLSON
	C	REMOVE P-CLIPS, UPDATE BOM COLUMNS, EDIT CALL-OUT NOMENCLATURE, ADD SHEET 2 WIRING DIAGRAM	3/12/2020	A.OLSON
B1, B2, B3	D	ITEM 4 WAS 40400, UPDATED FASTENER NOTES	12/7/2022	A.OLSON

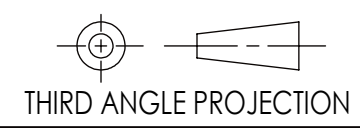


40620 CONTROL CABLE ASSEMBLY

NEXT ASSY E140

MM(INCH) 25.4MM=1 INCH	
TOLERANCES EXCEPT AS NOTED	
MM	INCHES
	.0 ± .1
	.00 ± .01
	.000 ± .005
ANGLES ± 0.5°	
MATERIAL	
FINISH	

DRAFTER AJW	DATE 11-14-17
DESIGNER A.OLSON	DATE 03-12-17
CHECKER	DATE
CUSTOMER APPROVAL	DATE



ACCESSIBLE SYSTEMS, INC.
9917 13TH AVENUE NORTH - MPLS, MN 55441 PHONE: 612.238.4600

TITLE
LIFT UNIT - E140

PROPRIETARY AND CONFIDENTIAL
The information contained in this drawing is sole propriety of Accessible Systems, Inc. Any reproduction in whole or in part without written permission is strictly prohibited.

SIZE **B** DRAWING NO. **40550**

DO NOT SCALE DRAWING WWW.ADJUSTASINK.COM 1 OF 2

DRAWING NO. 40550

Adjust-a-Sink®

E140 SERIES

OPERATION MANUAL

OPERATION OF THE ADJUST-A-SINK®

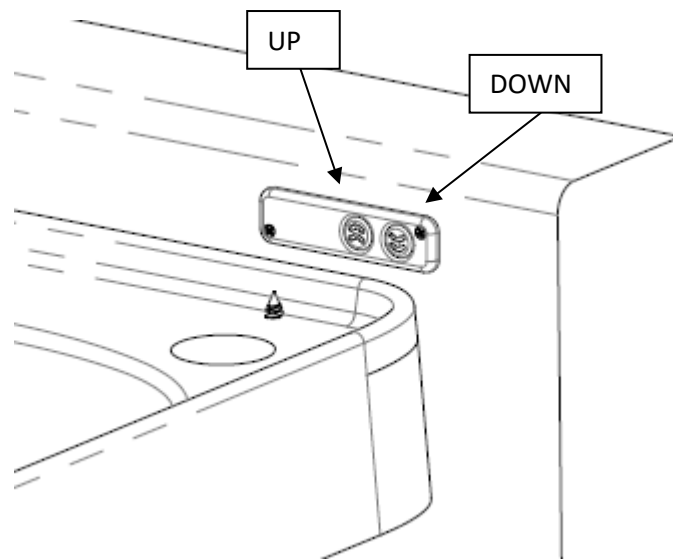
CAUTION: Read the operation manual before operating the Adjust-a-Sink E140 electric elevating shampoo sink.

CAUTION: Ensure the lift system is connected to a GFCI protected receptacle.

CAUTION: Pinch Hazard – Keep fingers away from the edges of the elevating sink carrier back splash panel when the sink is in motion.

CAUTION: Pinch Hazard – If the sink appears to be stuck in an elevated position due to an object blocking downward movement – it may drop suddenly if objects blocking it are dislodged.

The height of the E140 sink is adjusted by pressing one of the two buttons located in the upper right corner of the lift back splash. The left button raises the sink height, the right button lowers the sink height.



The system has a safety feature to prevent accidental crushing of persons or objects located beneath it. The motor has a slip catch system and will only apply the weight of the bowl and backsplash upon objects or persons when moving in the downward direction, even as the motor continues to make a sound. Be aware that the system may drop suddenly if an object blocking movement is dislodged. If an object blocks the downward movement of the sink, first reverse the motor and lift the sink and backsplash above the object, move the object clear of the sink, and resume lowering the system.

IMPORTANT: The motor on the E140 has a duty cycle rating of 10% on time, or 2 minutes on max – 18

minutes off. After 2 minutes of operation, let the motor cool for 18 minutes before resuming operation. A typical salon would only operate the motor for 20 seconds or less, so the cool down time is much shorter. Cool down periods are not an issue in normal use.

We suggest that stylists “be creative” in adjusting the sink to fit their clients, as each person is unique in their body type. The Adjust-A-Sink® can be adjusted to improve the shampoo experience for most everyone with a little thought and experimentation with height adjustments and head and body positions. Note that the foot pedal swivels to allow for stylist preference. The concept behind the adjustable height, Adjust-a-Sink® is to position the client in a manner that allows them to sit as upright as possible to allow their weight to be evenly distributed throughout the body so as to alleviate pressure on the neck and lower back.

1. Raise the Adjust-a-Sink® up higher than the client’s neck and shoulders.
2. Position the client in the shampoo chair so the back of the chair and the neck of the shampoo bowl are aligned vertically. The client will usually prefer a more upright seating position. We suggest the use of an adjustable back, fixed position shampoo chair if possible.
3. Lower the Adjust-a-Sink® to the client’s comfort level - the client’s neck should fit snug and comfortable, without pressure, against the shampoo bowl.
4. Ensure the client’s head is tilted so their forehead is over the bowl. You may need to lower the bowl slightly, and or further recline the client to obtain this desired position. In this position, and with moderate water pressure, you should be able to provide for a comfortable and dry shampoo. Again, the Adjust-a-Sink® works best with the client sitting as upright as possible.
5. When serving a client seated in a wheelchair, raise the sink so the handles of the wheelchair slide under either side of the bowl. Based on the physical condition of the client, you may need to experiment with the height of the bowl and/or the use of a second cape to funnel the water to the sink to achieve the driest and most comfortable position. Using extra large capes will help keep clients dry. Please view our online videos to assist in positioning the client.



Position the Client More Upright



NOT Like This!

Adjust-a-Sink®

3050 Comfort Fit Shampoo Bowl CARE AND CLEANING INSTRUCTIONS

Comfort Fit® Shampoo Bowls are molded from solid surface resins and provide a highly durable surface. To maintain the glossy appearance and prevent stains, rinse away any chemicals or dyes immediately and dry the sink after use.

A. Care:

- a. Clean with warm soapy water, ammonia-based cleaners, or commercially available solid surface cleaners to remove dirt and residue. Using abrasive cleaners will scratch the surface and dull the glossy appearance.

B. Preventing stains from dyes and salon chemicals:

- a. Rinse and dry the sink after exposure to dyes.
- b. Protect the finish by periodically applying a liquid polish to the surfaces of the sink as a stain prevention barrier. Gel-Gloss® sink polish is recommended, or any quality automotive polish. Apply per the manufacturer's instructions.
- c. Drain cleaners containing caustic or alkaline chemicals may cause surface damage to the sink and should not be used.

C. Removing Stains:

- a. Rinse and wipe the product from the surface as soon as possible.
- b. We suggest you start with a non-abrasive bleach cleanser (Soft Scrub Gel®), apply to the affected areas and let it set for a few minutes, then wipe with a non-abrasive pad or cloth.
- c. Rinse and check the progress, multiple applications may be required.
- d. Alternately, there are several other cleaning products that are safe to apply to Comfort Fit bowls and may provide better results, depending on the makeup of the stain:
 - i. Ammonia
 - ii. Strong Detergents
 - iii. Oxalic Acid solutions
 - iv. Dilute hydrochloric acid solutions
 - v. Acetone
- e. Hard water stains can be removed with an acidic solution, we suggest Bar Keepers Friend® cleaner.
- f. When the stain is treated, re-apply a polish to the sink surfaces.

D. Restoring the finish:

- a. Small scratches or dullness can sometimes be buffed out using fine cut rubbing compound, this is best done with an orbital polishing tool.