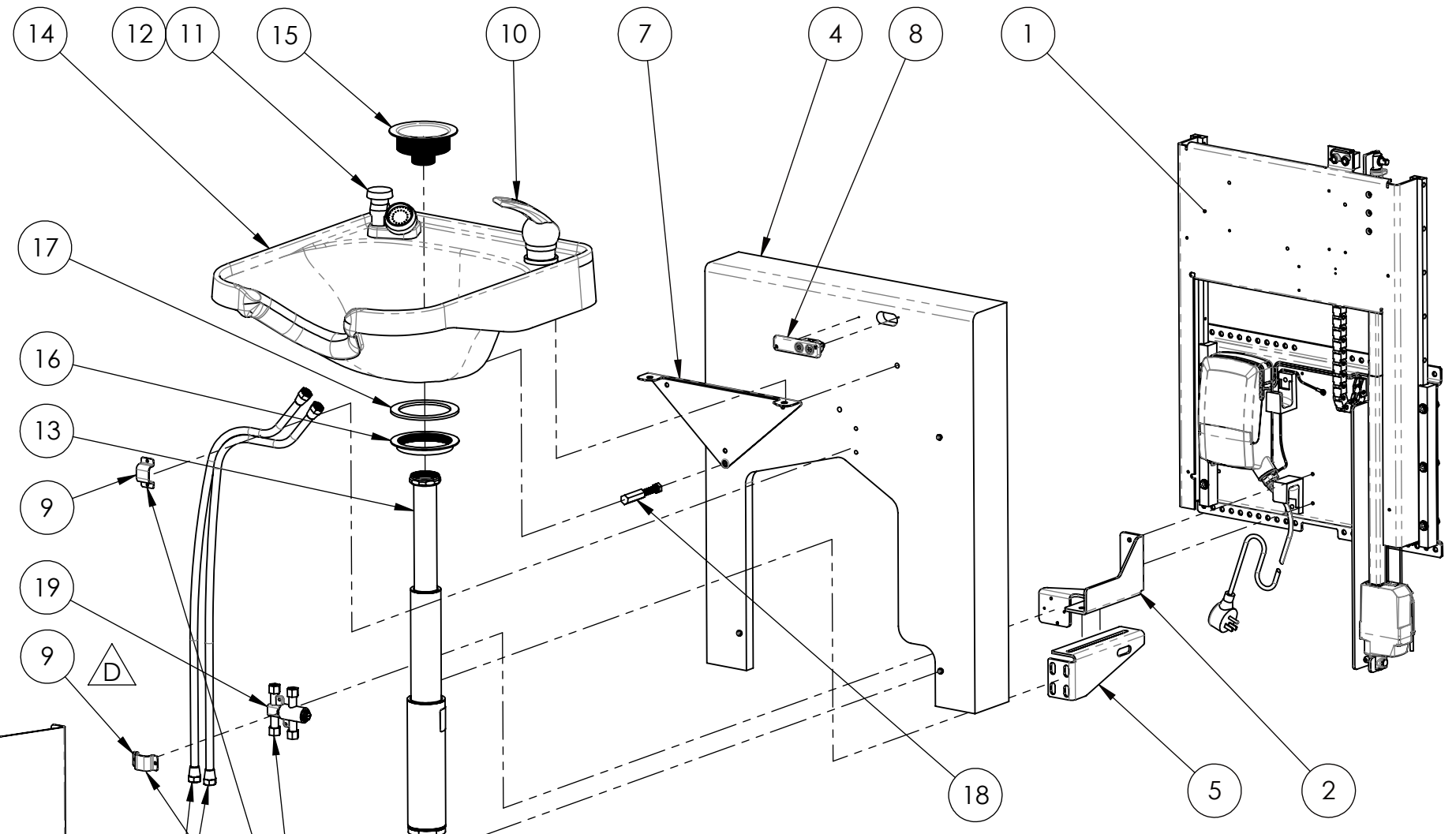
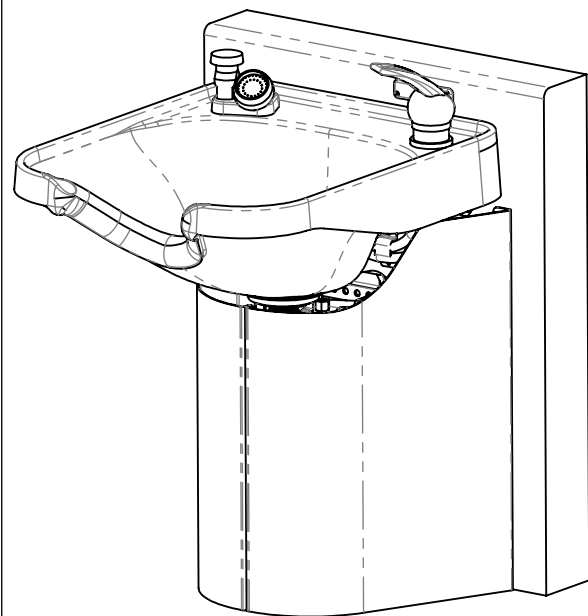
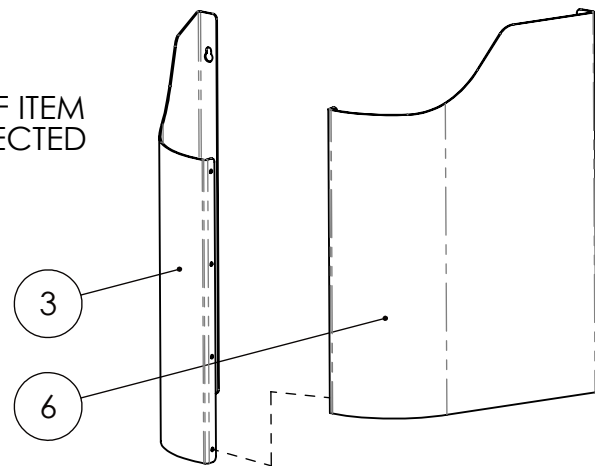


ITEM	QTY	FILE NUMBER	TITLE
1	1	40550	LIFT UNIT - E140
2	1	40340	DRAIN SUPPORT BRACKET
3	1	40360	SHROUD - LH
4	1	40420	FRONT PANEL
5	1	40460	DRAIN CLAMP BRACKET
6	1	40480	SHROUD - RH
7	1	40540	SINK BRACKET
8	1	40560	CONTROL ASSEMBLY
9	2	40180	DOUBLE HOSE CLAMP
10	1	K100-83-1	FAUCET
11	1	K100-83-2	VACUUM BREAKER
12	1	K100-83-5	SPRAY HOSE
13	1	T1514	TELESCOPING DRAIN - MODEL T1514
14	1	3050	SHAMPOO SINK - MODEL 3050
15	1	20260	SINK BASKET STRAINER
16	1	BASKET STRAINER NUT	SUPPLIED WITH 20260
17	1	BASKET STRAINER GASKET	SUPPLIED WITH 20260
18	1	LEVELING BOLT	LEVELING BOLT (REF)
19	1	MIXING VALVE	MIXING VALVE (REF)



NOTES:

1. LOWER ITEM 9 (CLAMP) CAN BE USED IF ITEM 20 OPTION (MIXING VALVE) IS NOT SELECTED

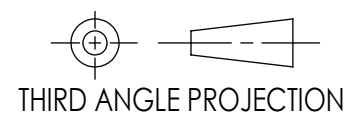


REVISIONS				
ZONE	REV.	DESCRIPTION	DATE	APPROVED
	A	INITIAL RELEASE	4/2/2017	A.OLSON
	B	ADDED MIXING VALVE	3/4/2018	A.OLSON
	C	UPDATED BOM ENTRIES, ADDED SHEET 4	3/21/2018	A.OLSON
B3	D	REMOVE ITEM 20 AND USE ITEM 9, UPDATE BOM DETAILS	3/10/2020	A.OLSON

NEXT ASSY

MM(INCH) 25.4MM=1 INCH	
TOLERANCES EXCEPT AS NOTED	
MM	INCHES
	.0 ± .1
	.00 ± .01
	.000 ± .005
ANGLES ± 0.5°	
MATERIAL	
FINISH	

DRAFTER AJW	DATE 04-02-17
DESIGNER A.OLSON	DATE 03-12-17
CHECKER	DATE
CUSTOMER APPROVAL	DATE



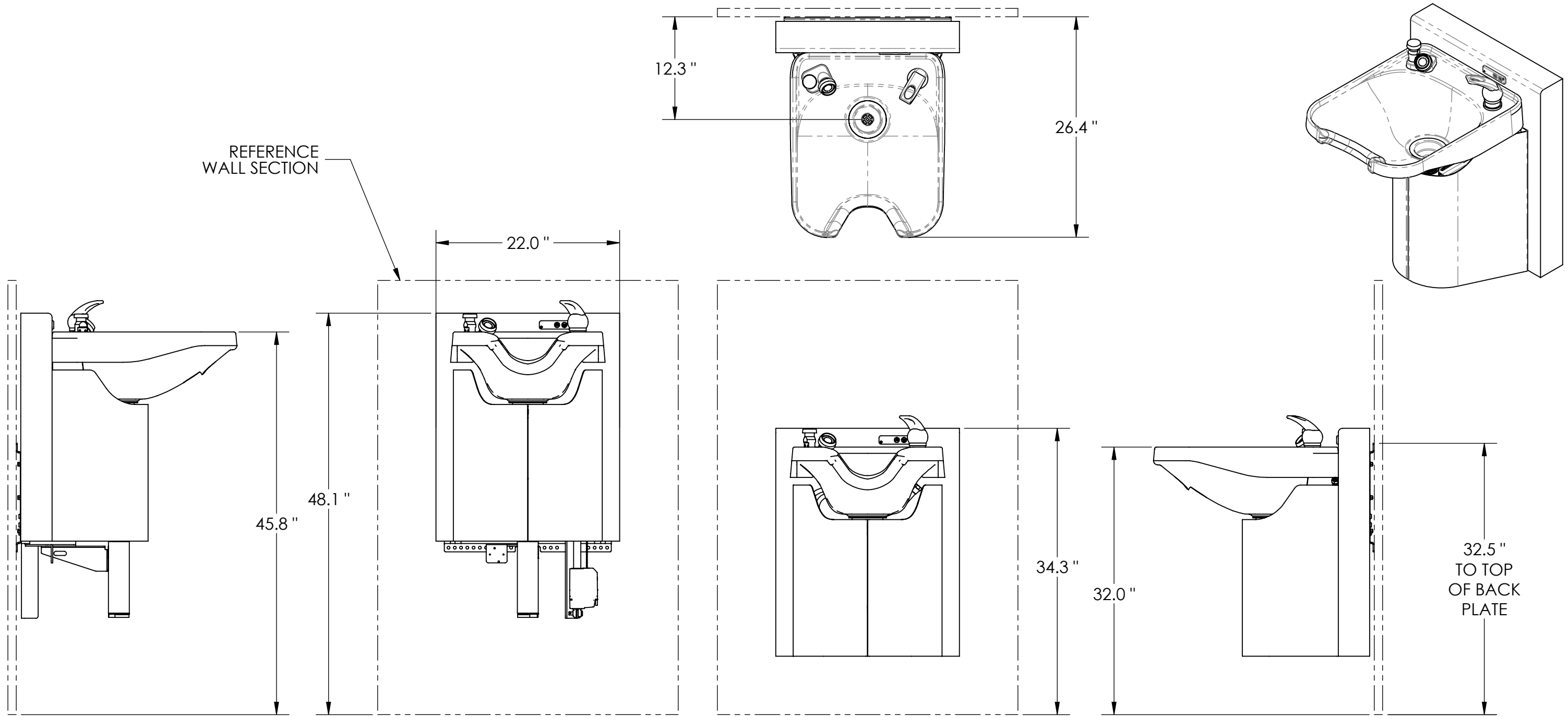
ACCESSIBLE SYSTEMS, INC.
9917 13TH AVENUE NORTH - MPLS, MN 55441 PHONE: 612 . 238 . 4600

TITLE
TELESCOPING DRAIN - AUTO

PROPRIETARY AND CONFIDENTIAL
The information contained in this drawing is sole propriety of Accessible Systems, Inc. Any reproduction in whole or in part without written permission is strictly prohibited.

SIZE **B** DRAWING NO. **E140**

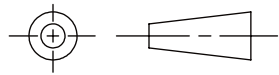
DO NOT SCALE DRAWING WWW.ADJUSTASINK.COM 1 OF 4



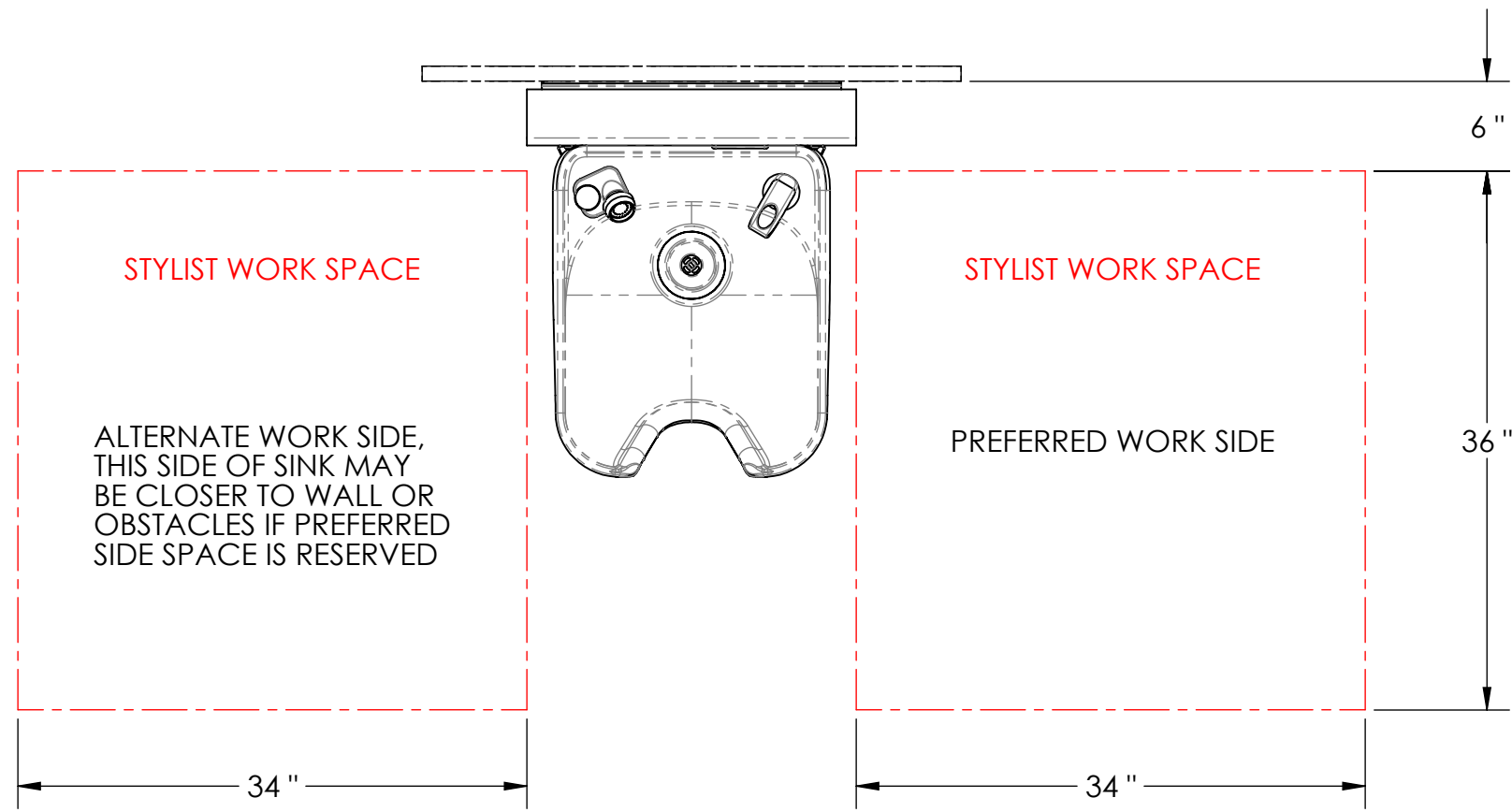
NEXT ASSY

MM(INCH) 25.4MM=1 INCH	
TOLERANCES EXCEPT AS NOTED	
MM	INCHES
X	.0 ± .1
X	.00 ± .01
X	.000 ± .005
ANGLES ± 0.5°	
MATERIAL	
FINISH	

DRAFTER AJW	DATE 04-02-17
DESIGNER A.OLSON	DATE 03-12-17
CHECKER	DATE
CUSTOMER APPROVAL	DATE

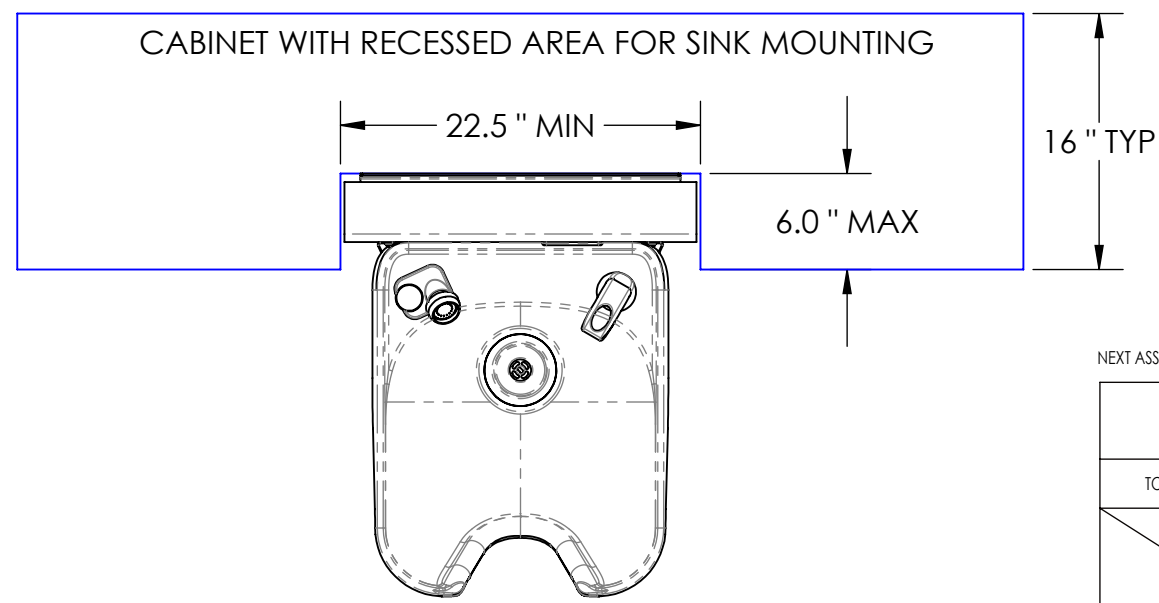
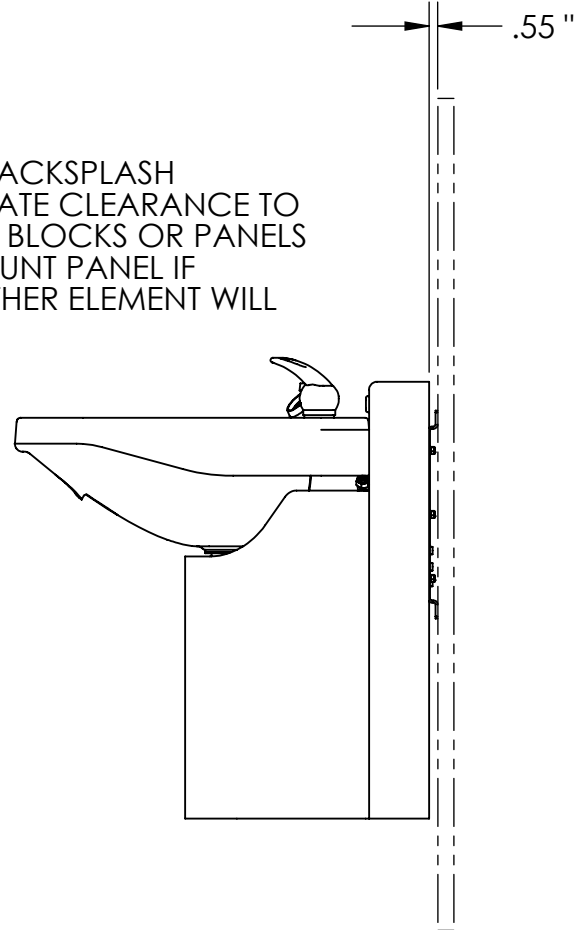

 THIRD ANGLE PROJECTION

ACCESSIBLE SYSTEMS, INC.		
9917 13TH AVENUE NORTH - MPLS, MN 55441 PHONE: 612 . 238 . 4600		
TITLE TELESCOPING DRAIN - AUTO		
PROPRIETARY AND CONFIDENTIAL The information contained in this drawing is sole propriety of Accessible Systems, Inc. Any reproduction in whole or in part without written permission is strictly prohibited.		
SIZE B	DRAWING NO. E140	
DO NOT SCALE DRAWING	WWW.ADJUSTASINK.COM	2 OF 4



RESERVE WORK SPACE FOR SYLIST IN SALON PLAN. IF MULTIPLE SINKS ARE BEING INSTALLED ALONG THE SAME WALL, SPACE AT 54 " OR GREATER ON CENTER

THE ADJUSTABLE BACKSPLASH REQUIRES ADEQUATE CLEARANCE TO LIFT, ADD SPACER BLOCKS OR PANELS BEHIND WALL MOUNT PANEL IF TRIMWORK OR OTHER ELEMENT WILL INTERFERE.

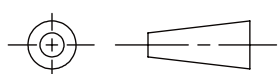


THE ADJUST-A-SINK MAY BE MOUNTED FLUSH TO A WALL OR FRONT FACE OF CABINETS. THE UNIT MAY ALSO BE RECESSED FROM CABINET FACE BY A MAXIMUM OF 6 "

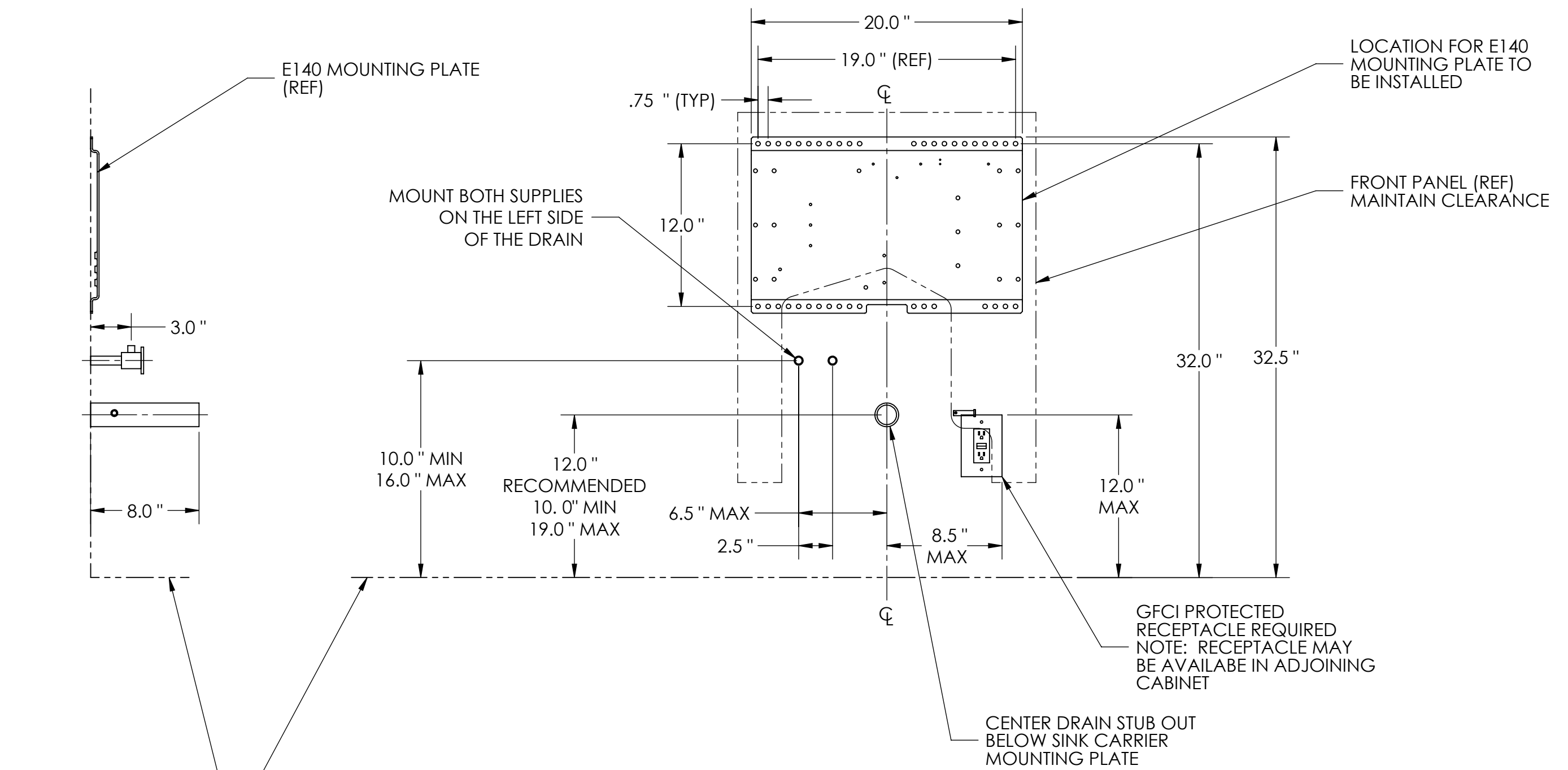
NEXT ASSY

MM(INCH) 25.4MM=1 INCH	
TOLERANCES EXCEPT AS NOTED	
MM	INCHES
	.0 ± .1
	.00 ± .01
	.000 ± .005
ANGLES ± 0.5°	
MATERIAL	
FINISH	

DRAFTER AJW	DATE 04-02-17
DESIGNER A.OLSON	DATE 03-12-17
CHECKER	DATE
CUSTOMER APPROVAL	DATE


 THIRD ANGLE PROJECTION

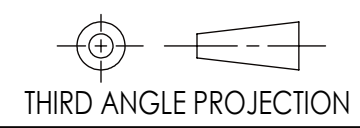
ACCESSIBLE SYSTEMS, INC.		
9917 13TH AVENUE NORTH - MPLS, MN 55441 PHONE: 612 . 238 . 4600		
TITLE TELESCOPING DRAIN - AUTO		
PROPRIETARY AND CONFIDENTIAL The information contained in this drawing is sole propriety of Accessible Systems, Inc. Any reproduction in whole or in part without written permission is strictly prohibited.		
SIZE B	DRAWING NO. E140	
DO NOT SCALE DRAWING	WWW.ADJUSTASINK.COM	3 OF 4



NEXT ASSY

MM(INCH) 25.4MM=1 INCH	
TOLERANCES EXCEPT AS NOTED	
MM	INCHES
X	.0 ± .1
X	.00 ± .01
X	.000 ± .005
ANGLES ± 0.5°	
MATERIAL	
FINISH	

DRAFTER AJW	DATE 04-02-17
DESIGNER A.OLSON	DATE 03-12-17
CHECKER	DATE
CUSTOMER APPROVAL	DATE



ACCESSIBLE SYSTEMS, INC.		
9917 13TH AVENUE NORTH - MPLS, MN 55441 PHONE: 612 . 238 . 4600		
TITLE E140 ROUGH-IN		
PROPRIETARY AND CONFIDENTIAL The information contained in this drawing is sole propriety of Accessible Systems, Inc. Any reproduction in whole or in part without written permission is strictly prohibited.		
SIZE B	DRAWING NO. E140	
DO NOT SCALE DRAWING	WWW.ADJUSTASINK.COM	4 OF 4