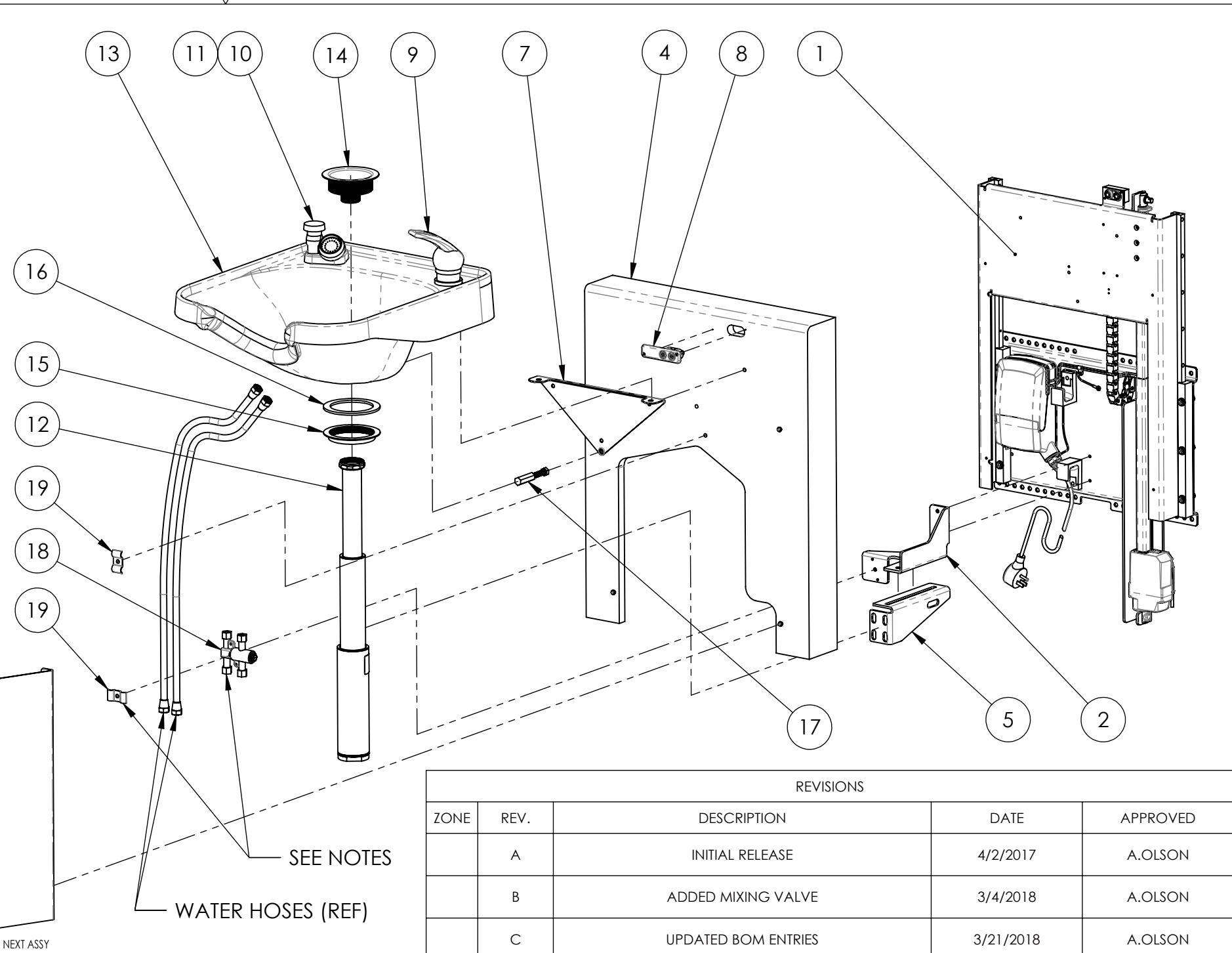
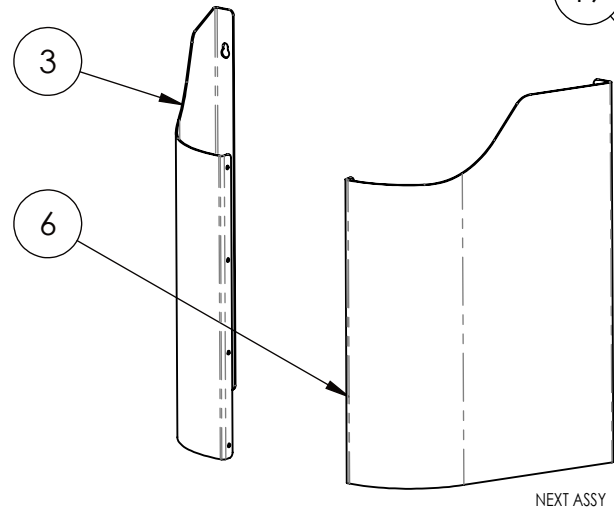
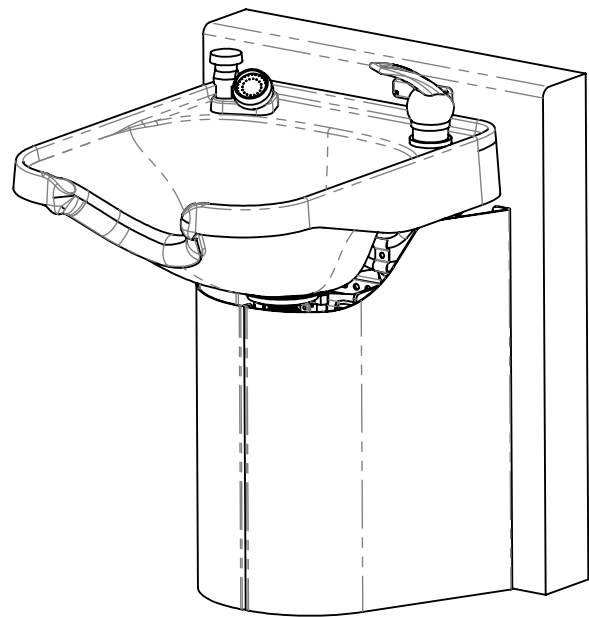


ITEM	QTY	FILE NUMBER	TITLE
1	1	40550	LIFT UNIT - E140
2	1	40340	DRAIN SUPPORT BRACKET
3	1	40360	SHROUD - LH
4	1	40420	FRONT PANEL
5	1	40460	DRAIN CLAMP BRACKET
6	1	40480	SHROUD - RH
7	1	40540	SINK BRACKET
8	1	40560	CONTROL ASSEMBLY
9	1	K100-83-1	FAUCET
10	1	K100-83-2	VACUUM BREAKER
11	1	K100-83-5	SPRAY HOSE
12	1	T1514	TELESCOPING DRAIN - MODEL T1514
13	1	MODEL 3050	SHAMPOO SINK - MODEL 3050
14	1	20260	SINK BASKET STRAINER
15	1	BASKET STRAINER NUT	BASKET STRAINER NUT (REF)
16	1	BASKET STRAINER GASKET	BASKET STRAINER GASKET (REF)
17	1	LEVELING BOLT	LEVELING BOLT (REF)
18	1	MIXING VALVE	MIXING VALVE (REF)
19	2	WATER HOSE CLAMP	WATER HOSE CLAMP (REF)



NOTES:  
 1. LOWER ITEM 19 (CLAMP) INDICATED CAN BE USED IF ITEM 18 OPTION (MIXING VALVE) IS NOT SELECTED



REVISIONS				
ZONE	REV.	DESCRIPTION	DATE	APPROVED
	A	INITIAL RELEASE	4/2/2017	A.OLSON
	B	ADDED MIXING VALVE	3/4/2018	A.OLSON
	C	UPDATED BOM ENTRIES	3/21/2018	A.OLSON

MM(INCH) 25.4MM=1 INCH	
TOLERANCES EXCEPT AS NOTED	
MM	INCHES
	.0 ± .1
	.00 ± .01
	.000 ± .005
ANGLES ± 0.5°	
MATERIAL	
FINISH	

DRAFTER AJW	DATE 04-02-17
DESIGNER A.OLSON	DATE 03-12-17
CHECKER	DATE
CUSTOMER APPROVAL	DATE

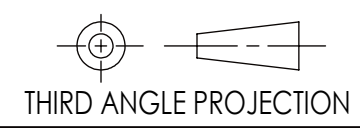
**ACCESSIBLE SYSTEMS, INC.**  
 9917 13TH AVENUE NORTH - MPLS, MN 55441 PHONE: 612 . 238 . 4600

TITLE  
**TELESCOPING DRAIN - AUTO**

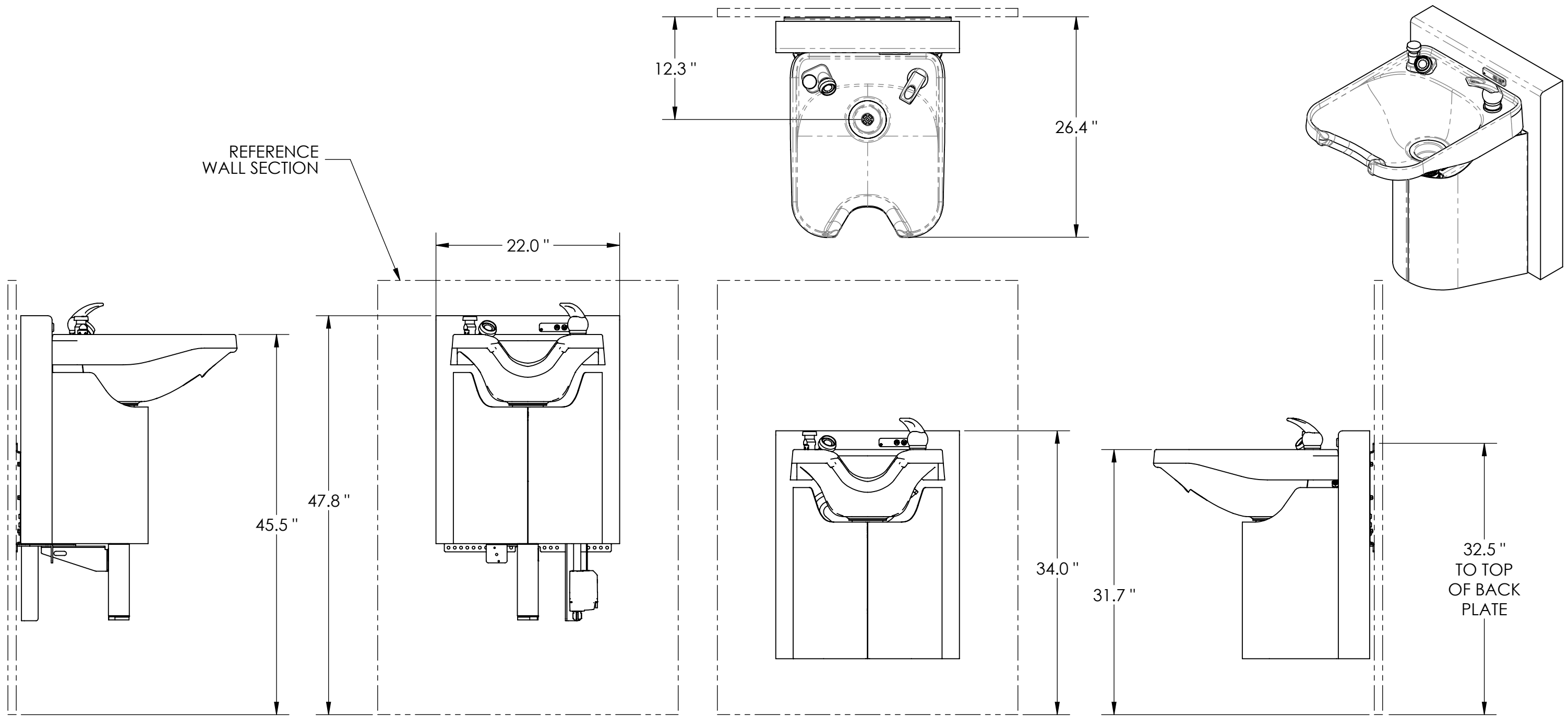
PROPRIETARY AND CONFIDENTIAL  
 The information contained in this drawing is sole propriety of Accessible Systems, Inc. Any reproduction in whole or in part without written permission is strictly prohibited.

SIZE **B** DRAWING NO. **E140**

DO NOT SCALE DRAWING      WWW.ADJUSTASINK.COM      1 OF 3



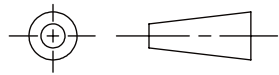
DRAWING NO.  
E140



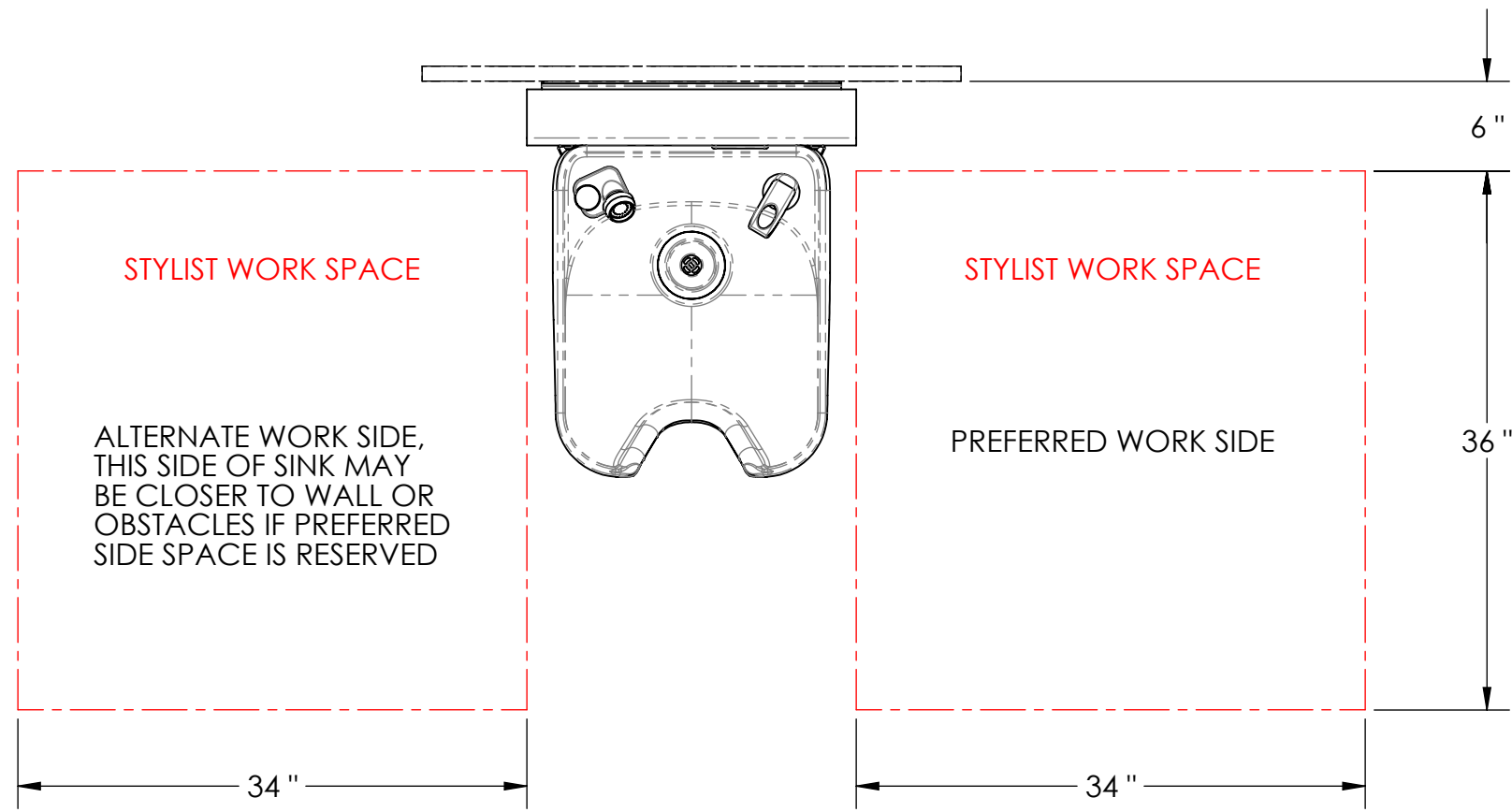
NEXT ASSY

MM(INCH) 25.4MM=1 INCH	
TOLERANCES EXCEPT AS NOTED	
MM	INCHES
X	.0 ± .1
X	.00 ± .01
X	.000 ± .005
ANGLES ± 0.5°	
MATERIAL	
FINISH	

DRAFTER AJW	DATE 04-02-17
DESIGNER A.OLSON	DATE 03-12-17
CHECKER	DATE
CUSTOMER APPROVAL	DATE

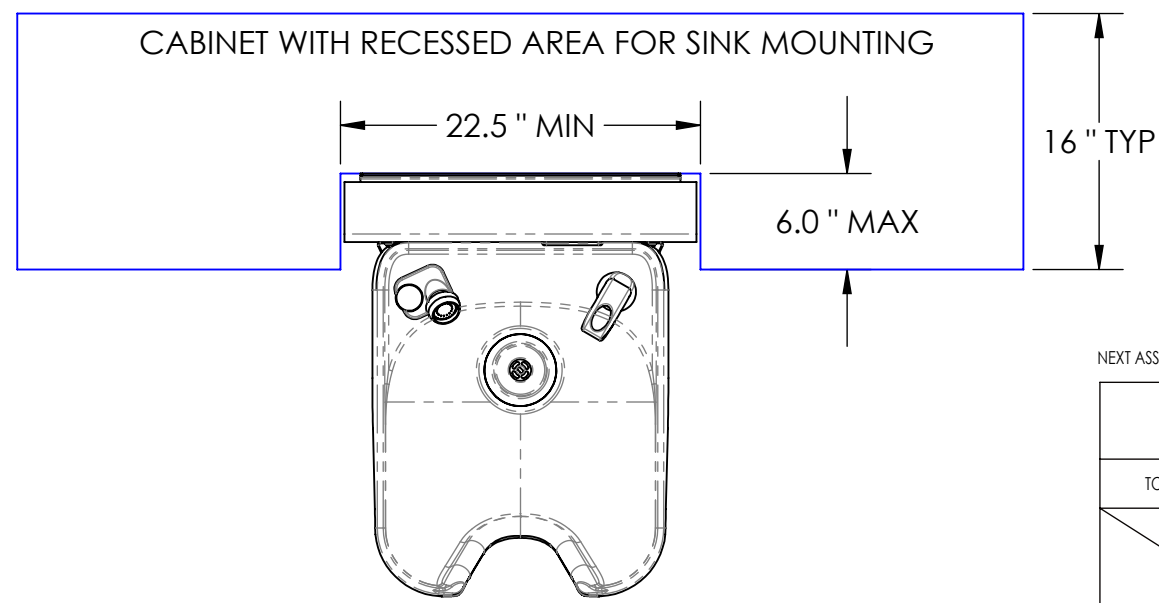
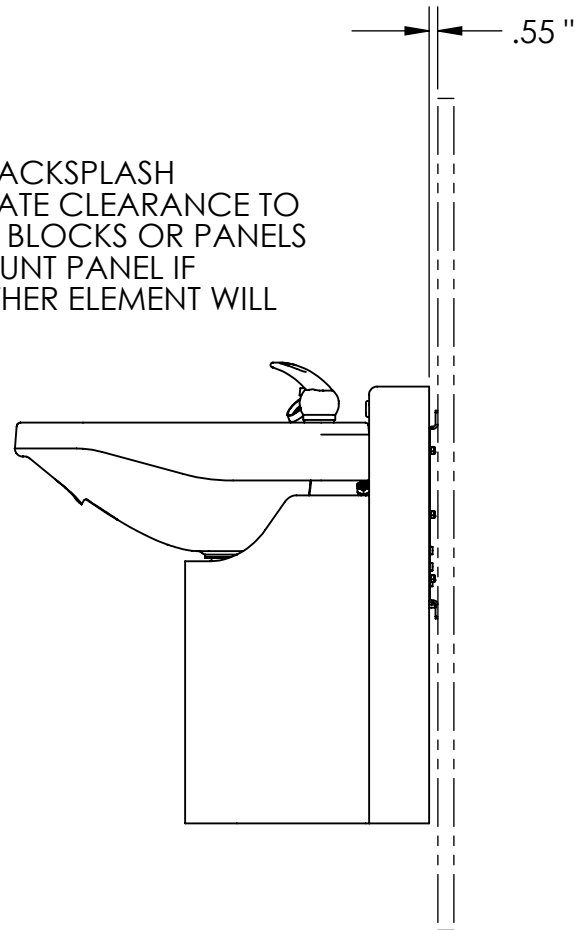
  
 THIRD ANGLE PROJECTION

<b>ACCESSIBLE SYSTEMS, INC.</b>		
9917 13TH AVENUE NORTH - MPLS, MN 55441 PHONE: 612 . 238 . 4600		
TITLE <b>TELESCOPING DRAIN - AUTO</b>		
PROPRIETARY AND CONFIDENTIAL The information contained in this drawing is sole propriety of Accessible Systems, Inc. Any reproduction in whole or in part without written permission is strictly prohibited.		
SIZE <b>B</b>	DRAWING NO. <b>E140</b>	
DO NOT SCALE DRAWING	WWW.ADJUSTASINK.COM	2 OF 3



RESERVE WORK SPACE FOR SYLIST IN SALON PLAN. IF MULTIPLE SINKS ARE BEING INSTALLED ALONG THE SAME WALL, SPACE AT 54 " OR GREATER ON CENTER

THE ADJUSTABLE BACKSPLASH REQUIRES ADEQUATE CLEARANCE TO LIFT, ADD SPACER BLOCKS OR PANELS BEHIND WALL MOUNT PANEL IF TRIMWORK OR OTHER ELEMENT WILL INTERFERE.

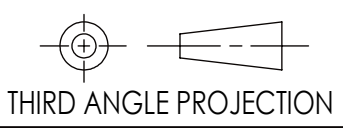


THE ADJUST-A-SINK MAY BE MOUNTED FLUSH TO A WALL OR FRONT FACE OF CABINETS. THE UNIT MAY ALSO BE RECESSED FROM CABINET FACE BY A MAXIMUM OF 6 "

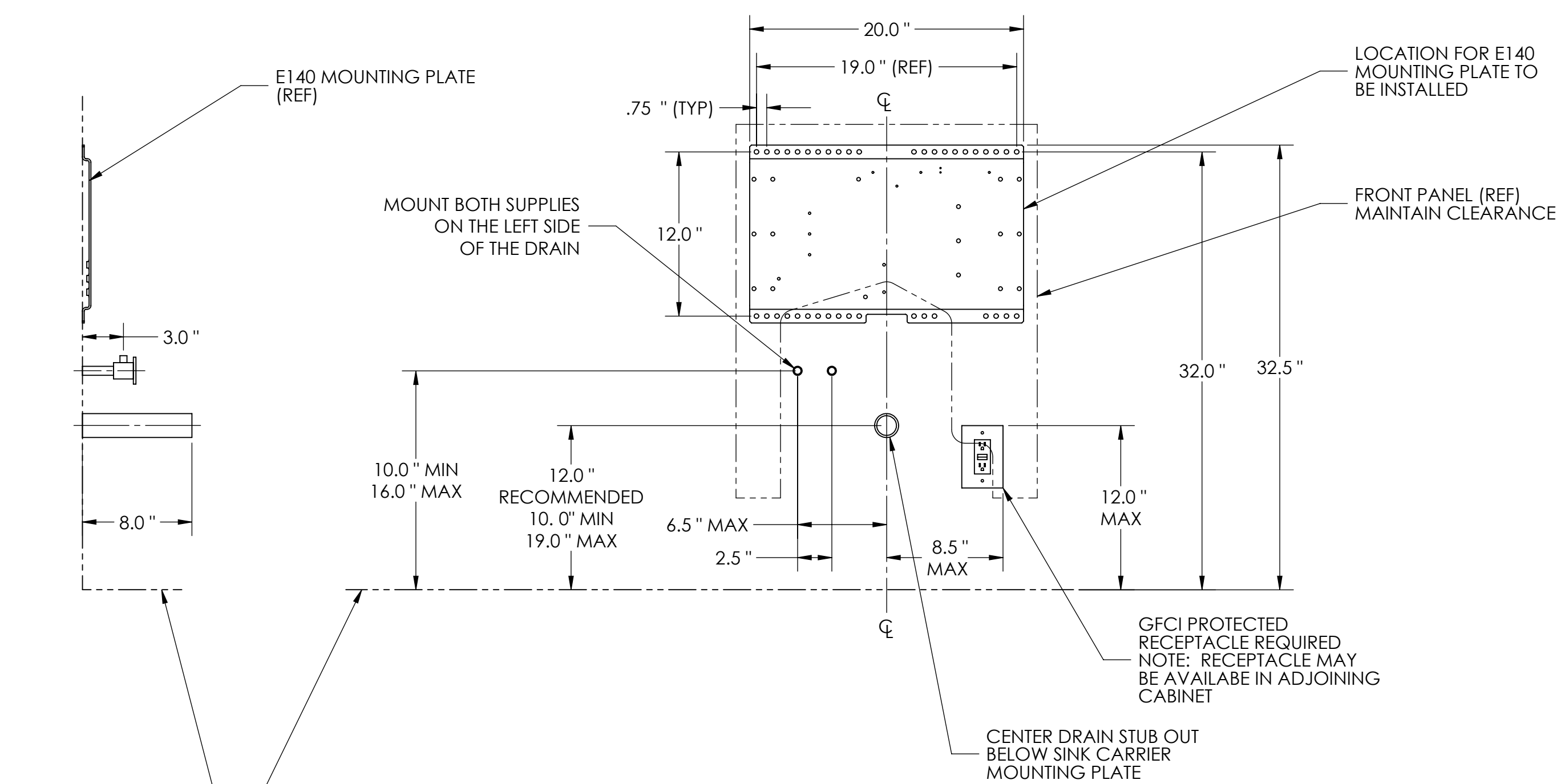
NEXT ASSY

MM(INCH) 25.4MM=1 INCH	
TOLERANCES EXCEPT AS NOTED	
MM	INCHES
X	.0 ± .1
X	.00 ± .01
X	.000 ± .005
ANGLES ± 0.5°	
MATERIAL	
FINISH	

DRAFTER AJW	DATE 04-02-17
DESIGNER A.OLSON	DATE 03-12-17
CHECKER	DATE
CUSTOMER APPROVAL	DATE



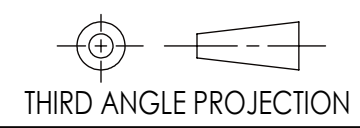
<b>ACCESSIBLE SYSTEMS, INC.</b>		
9917 13TH AVENUE NORTH - MPLS, MN 55441 PHONE: 612 . 238 . 4600		
TITLE <b>TELESCOPING DRAIN - AUTO</b>		
PROPRIETARY AND CONFIDENTIAL The information contained in this drawing is sole propriety of Accessible Systems, Inc. Any reproduction in whole or in part without written permission is strictly prohibited.		
SIZE <b>B</b>	DRAWING NO. <b>E140</b>	
DO NOT SCALE DRAWING	WWW.ADJUSTASINK.COM	3 OF 3



NEXT ASSY

MM (INCH) 25.4MM=1 INCH	
TOLERANCES EXCEPT AS NOTED	
MM	INCHES
X	.0 ± .1
X	.00 ± .01
X	.000 ± .005
ANGLES ± 0.5°	
MATERIAL	
FINISH	

DRAFTER <b>AJW</b>	DATE 04-02-17
DESIGNER <b>A.OLSON</b>	DATE 03-12-17
CHECKER	DATE
CUSTOMER APPROVAL	DATE



<b>ACCESSIBLE SYSTEMS, INC.</b>		
9917 13TH AVENUE NORTH - MPLS, MN 55441 PHONE: 612 . 238 . 4600		
TITLE <b>E140 ROUGH-IN</b>		
PROPRIETARY AND CONFIDENTIAL The information contained in this drawing is sole propriety of Accessible Systems, Inc. Any reproduction in whole or in part without written permission is strictly prohibited.		
SIZE <b>B</b>	DRAWING NO. <b>E140</b>	
DO NOT SCALE DRAWING	WWW.ADJUSTASINK.COM	4 OF 4