

# Adjust-a-Sink®

K100 SERIES

## \*\*OPERATION INSTRUCTIONS\*\*

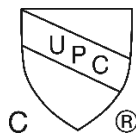
2/2019

We suggest that stylists “be creative” in adjusting the sink to fit their clients, as each person is unique in their body type. The Adjust-A-Sink can be adjusted to improve the shampoo experience for most everyone with a little thought and experimentation with height adjustments and head and body positions. Note that the foot pedal swivels to allow for stylist preference. The concept behind the adjustable height, Adjust-a-Sink® is to position the client in a manner that allows them to sit as upright as possible to allow their weight to be evenly distributed throughout the body so as to alleviate pressure on the neck and lower back.

1. Pump the Adjust-a-Sink® up higher than the client’s neck and shoulders.
2. Position the client in the shampoo chair so the back of the chair and the neck of the shampoo bowl are aligned vertically. The client will usually prefer a more upright seating position. We suggest the use of an adjustable back, fixed position shampoo chair if possible.
3. Lower the Adjust-a-Sink® to the client’s comfort level - the client’s neck should fit snug and comfortable, without pressure, against the shampoo bowl.
4. For clients in a wheelchair, use the same method noted above and ensures the bowl is up high enough to clear the wheelchair’s handles and back.
5. Ensure the client’s head is tilted so their forehead is over the bowl. You may need to lower the bowl slightly, and or further recline the client to obtain this desired position. In this position, and with moderate water pressure, you should be able to provide for a comfortable and dry shampoo. Again, the Adjust-a-Sink® works best with the client sitting as upright as possible.

**See photos on page 2 for proper client positioning.  
Download the Stylist Tips from the Resource Page on the  
Website.**

**View the Senior Care Videos on the Website.**



# Adjust-a-Sink®

Operation of the Adjust-a-Sink® (cont.)



**Position the Client Like This**



**NOT Like This!**



## MAINTENANCE FOR THE K-100 Adjust-A-Sink®

**BASIC FEATURES:** The Adjust-a-Sink® System elevates the Shampoo Bowl a total of 12". Distance from the floor to the top the of bowl ranges from approximately 34" to 46". A self-contained, maintenance free foot-operated hydraulic lift provides the lift capacity needed to raise the shampoo bowl. The hydraulic lift's foot pedal is free to rotate approximately 90 degrees to the side anytime the operator requires. Components are manufactured from the highest-grade materials and should provide years of trouble-free service.

\*\*Save these installation instructions for future reference.

**IMPORTANT:** IT IS VERY IMPORTANT TO HAVE THE "ADJUST-A-SINK"® INSTALLED CORRECTLY AND THE PLUMBING ALIGNED PERFECTLY. NOT DOING SO COULD RESULT IN UNDUE PRESSURE ON VARIOUS COMPONENT PARTS AND COULD ALSO CAUSE THE PLUMBING TO LEAK.

**Lubrication:** When the sink will not be in use for a period of time, or overnight, lower the sink to its lowest position. This allows the jack shaft to stay lubricated in the hydraulic fluid. By doing this, it will maintain the smoothness of the elevation.

**\*\*The 3-Stage Drain is pre-lubricated with specially tested and approved lubricant. DO NOT apply any additional lubricant or spray lubricant to the drain.**

**NOTE:** We recommend that you raise and lower the sink at least once daily to ensure proper lubrication of all critical components.

**Cleaning:** after use or at the end of the day, wipe the shroud and pump with a clean damp cloth, mild cleaning solution or a stainless steel spray cleaner. This will keep your unit looking new. The shampoo sink should be cleaned on a regular basis as well, using a non-abrasive cleaner. For those units equipped with a **Hair Interceptor**, we recommend that you open and clean it out every six months or sooner if sink use warrants.

**IMPORTANT:** It is important to keep the nylon base (the base that the pump sits in) clean as well. The pump is designed to swivel, if it is not kept clean, it will eventually become hard to swivel the pump in the base.

**WITH PROPER CARE AND GOOD CLEANING, THE "ADJUST-A-SINK"® WILL PROVIDE MANY YEARS OF SERVICE TO BOTH YOU AND YOUR CLIENTS.**

### WARRANTY

***The Adjust-a-Sink® warranty is two (2) years on all parts and five (5) years on the hydraulic pump. Altering the 3-Stage Telescopic Drain in any way voids its warranty. Parts will be repaired or replaced at the discretion of Accessible Systems, Inc.***

For replacement part orders or further information please contact Customer Service at: (612) 238-4600 Local Building Codes May Apply. Adjust-a-Sink® is a registered trademark of Accessible Systems, Inc

4

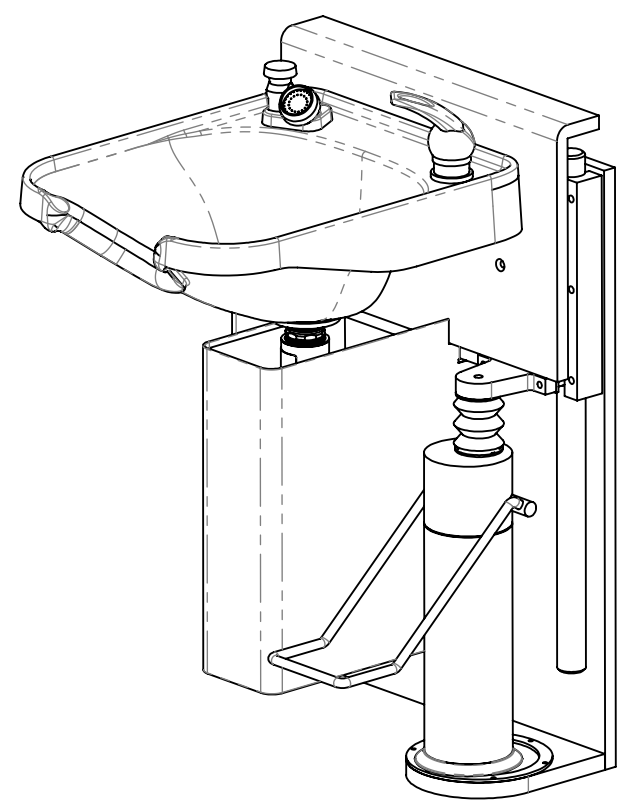
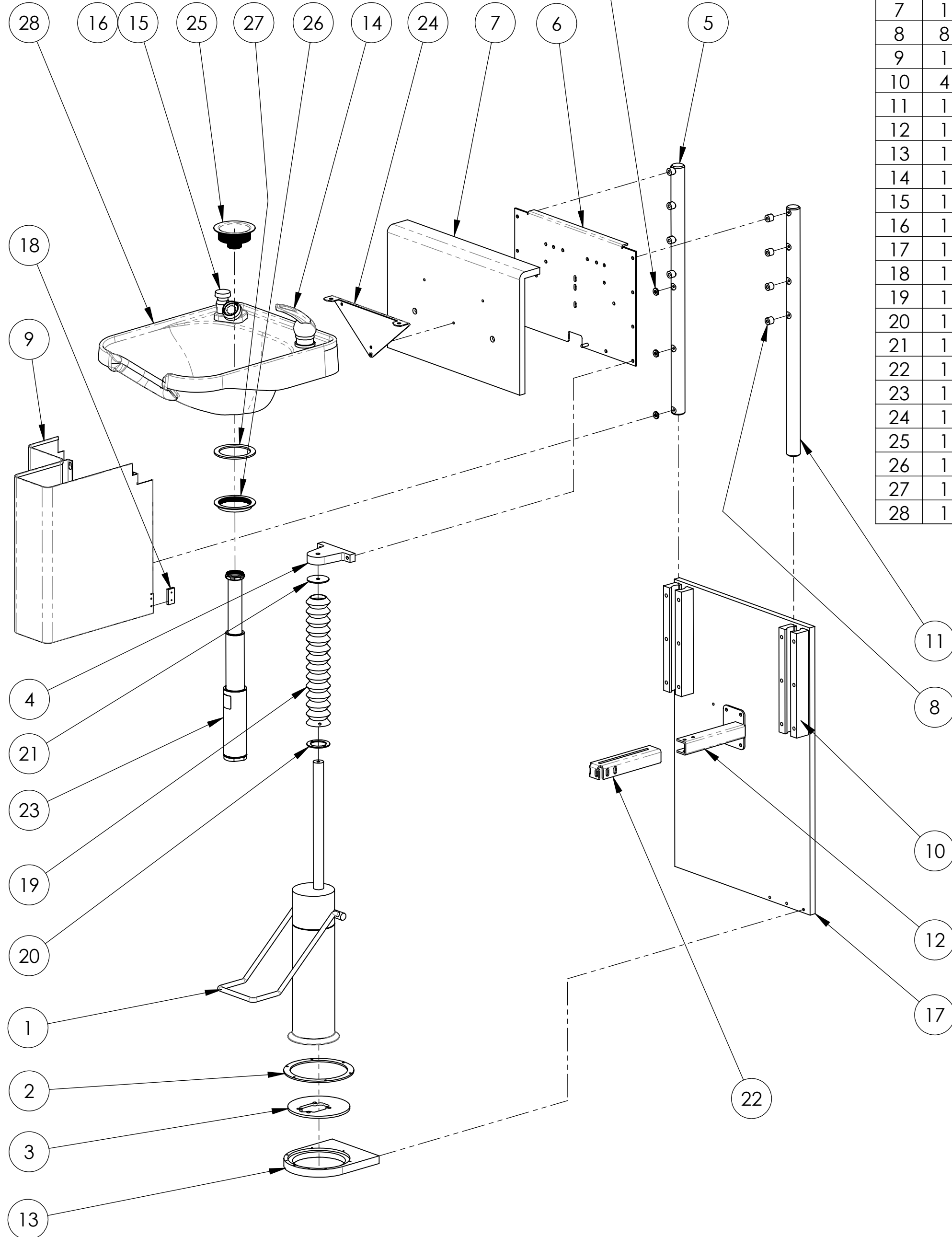
3

2

1

| ITEM | QTY | FILE NUMBER            | VENDOR | VENDOR P/N | TITLE                           |
|------|-----|------------------------|--------|------------|---------------------------------|
| 1    | 1   | -34                    |        |            | LIFT PUMP                       |
| 2    | 1   | K100-37                |        |            | RETAINER                        |
| 3    | 1   | K100-38                |        |            | BASE PLATE                      |
| 4    | 1   | K100-60                |        |            | LIFT BRACKET                    |
| 5    | 1   | K100-61                |        |            | LIFT SHAFT - LEFT               |
| 6    | 1   | K100-63                |        |            | LIFT PANEL                      |
| 7    | 1   | K100-64                |        |            | LIFT BACKSPLASH                 |
| 8    | 8   | K100-65                |        |            | PANEL STANDOFF                  |
| 9    | 1   | k100-68                |        |            | SHROUD                          |
| 10   | 4   | K100-70                |        |            | LIFT GUIDE                      |
| 11   | 1   | K100-71                |        |            | LIFT SHAFT - RIGHT              |
| 12   | 1   | K100-72                |        |            | DRAIN SUPPORT PIPE              |
| 13   | 1   | K100-74                |        |            | FLOOR PLATE                     |
| 14   | 1   | K100-83-1              |        |            | FAUCET                          |
| 15   | 1   | K100-83-2              |        |            | VACUUM BREAKER                  |
| 16   | 1   | K100-83-5              |        |            | SPRAY HOSE                      |
| 17   | 1   | K100-85                |        |            | MOUNTING PANEL                  |
| 18   | 1   | K100-89                |        |            | SHROUD GUIDE                    |
| 19   | 1   | K100-90                |        |            | BELLOWS (MOD)                   |
| 20   | 1   | K100-91                |        |            | LOWER BELLOWS CLAMP RING        |
| 21   | 1   | K100-92                |        |            | UPPER BELLOWS CLAMP RING        |
| 22   | 1   | K100-95                |        |            | DRAIN PIPE CLAMP                |
| 23   | 1   | T1512                  |        |            | TELESCOPING DRAIN - MODEL T1512 |
| 24   | 1   | 40540                  |        |            | SINK BRACKET                    |
| 25   | 1   | 20260                  |        |            | SINK BASKET STRAINER            |
| 26   | 1   | BASKET STRAINER NUT    |        |            | BASKET STRAINER NUT (REF)       |
| 27   | 1   | BASKET STRAINER GASKET |        |            | BASKET STRAINER GASKET (REF)    |
| 28   | 1   | MODEL 3050             |        |            | SHAMPOO SINK - MODEL 3050       |

5/16 FLAT WASHERS  
STACKED AS NEEDED  
FOR SPACING  
(3 PLACES)



|   |                            |                            |  |
|---|----------------------------|----------------------------|--|
| NEXT ASSY<br><br>TOLERANCES EXCEPT AS NOTED<br>MM: .0 ± .1, .00 ± .01, .000 ± .005<br>INCHES: .0 ± .1, .00 ± .01, .000 ± .005<br>ANGLES: ± 0.5°<br>MATERIAL:<br>FINISH: | DRAFTER<br><b>C.SCHEFF</b> | DATE<br>10/15/07           | <b>ACCESSIBLE SYSTEMS, INC.</b><br>9917 13TH AVENUE NORTH - MPLS, MN 55441 PHONE: 612.238.4600<br>TITLE<br><b>MULTI-STAGE SYSTEM</b><br>PROPRIETARY AND CONFIDENTIAL<br>The information contained in this drawing is sole propriety of Accessible Systems, Inc.<br>Any reproduction in whole or in part without written permission is strictly prohibited. |
|   | DESIGNER                   | DATE                       |  |
| CHECKER   | DATE                       | SIZE<br><b>C</b>           | DO NOT SCALE DRAWING<br>WWW.ADJUSTASINK.COM<br>1 OF 3  |
| CUSTOMER APPROVAL   | DATE                       | THIRD ANGLE PROJECTION<br> |  |

4

3

2

1

D

D

C

C

B

B

A

A

DRAWING NO.  
K100

4

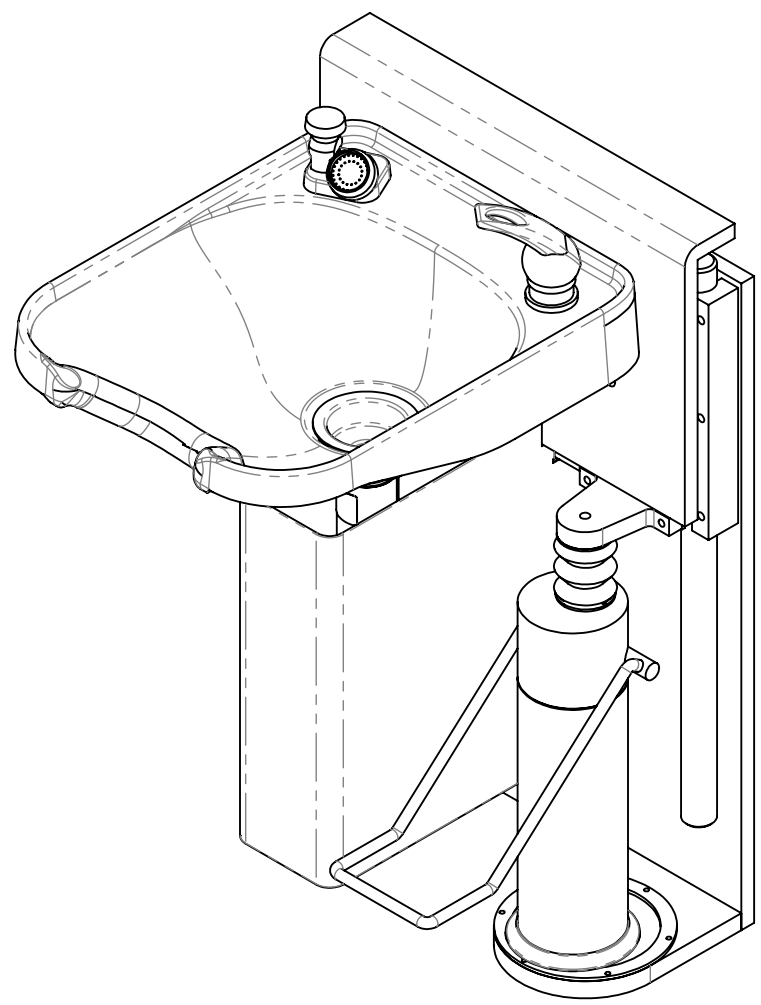
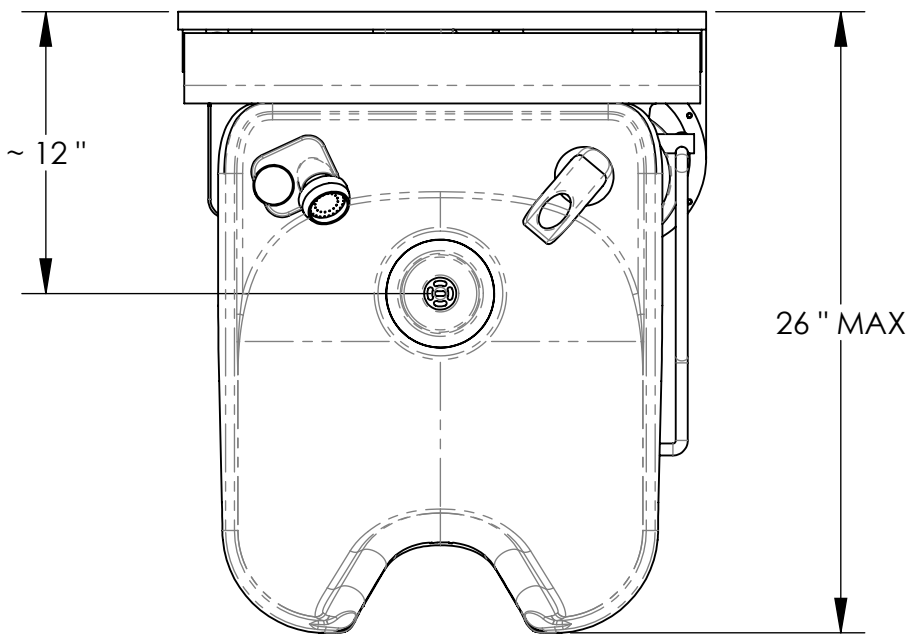
3

2

1

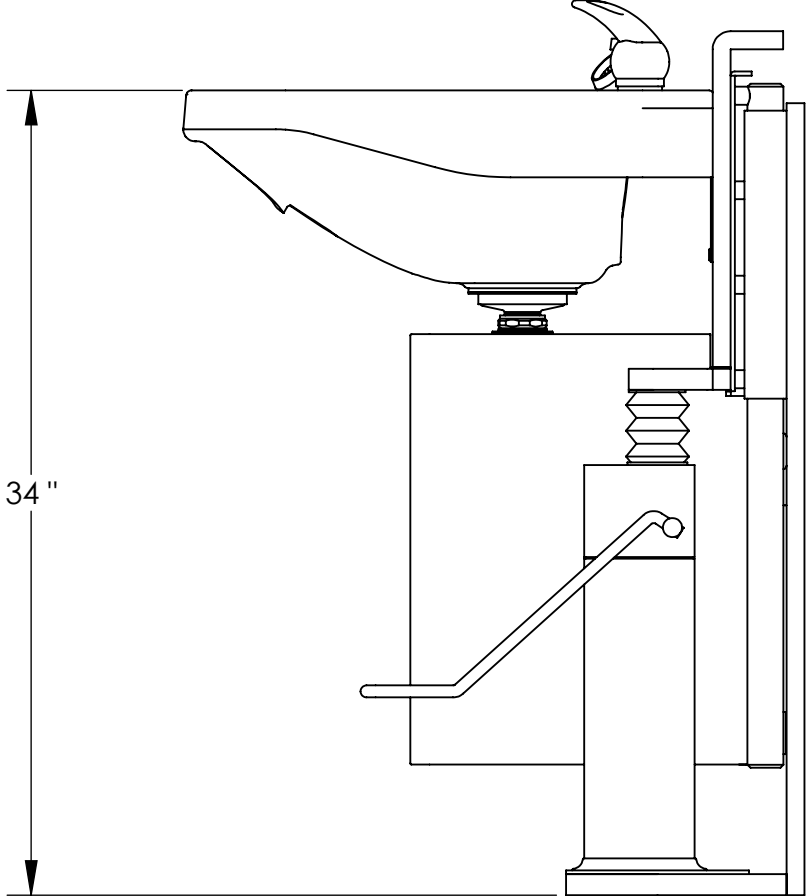
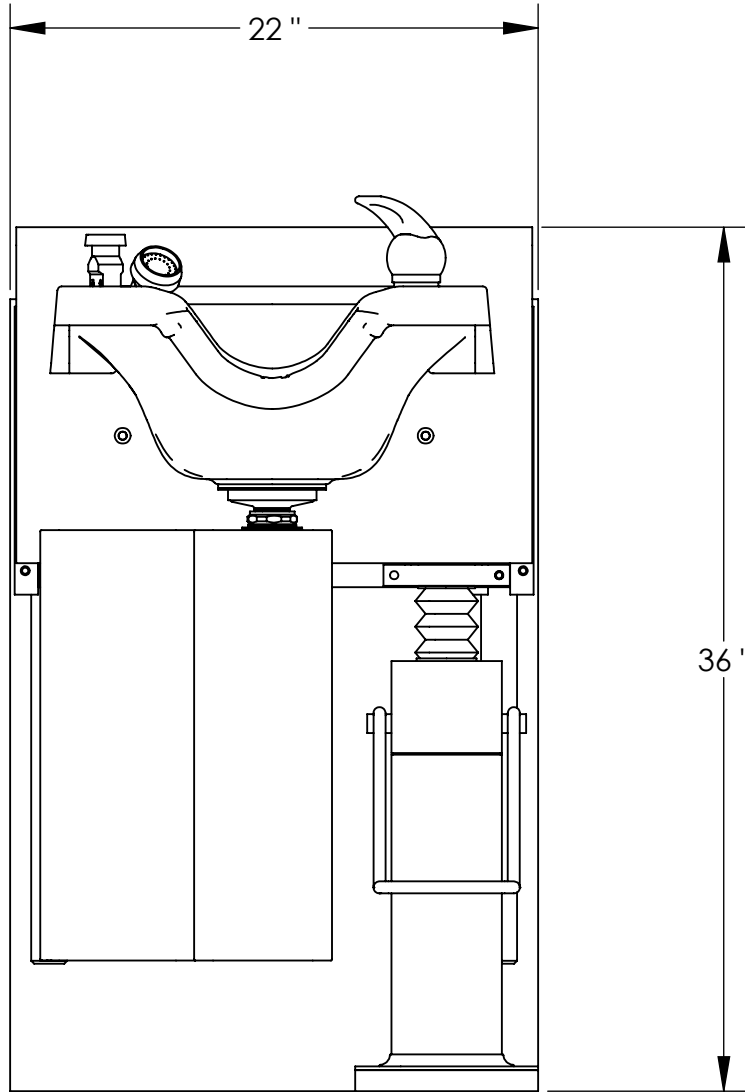
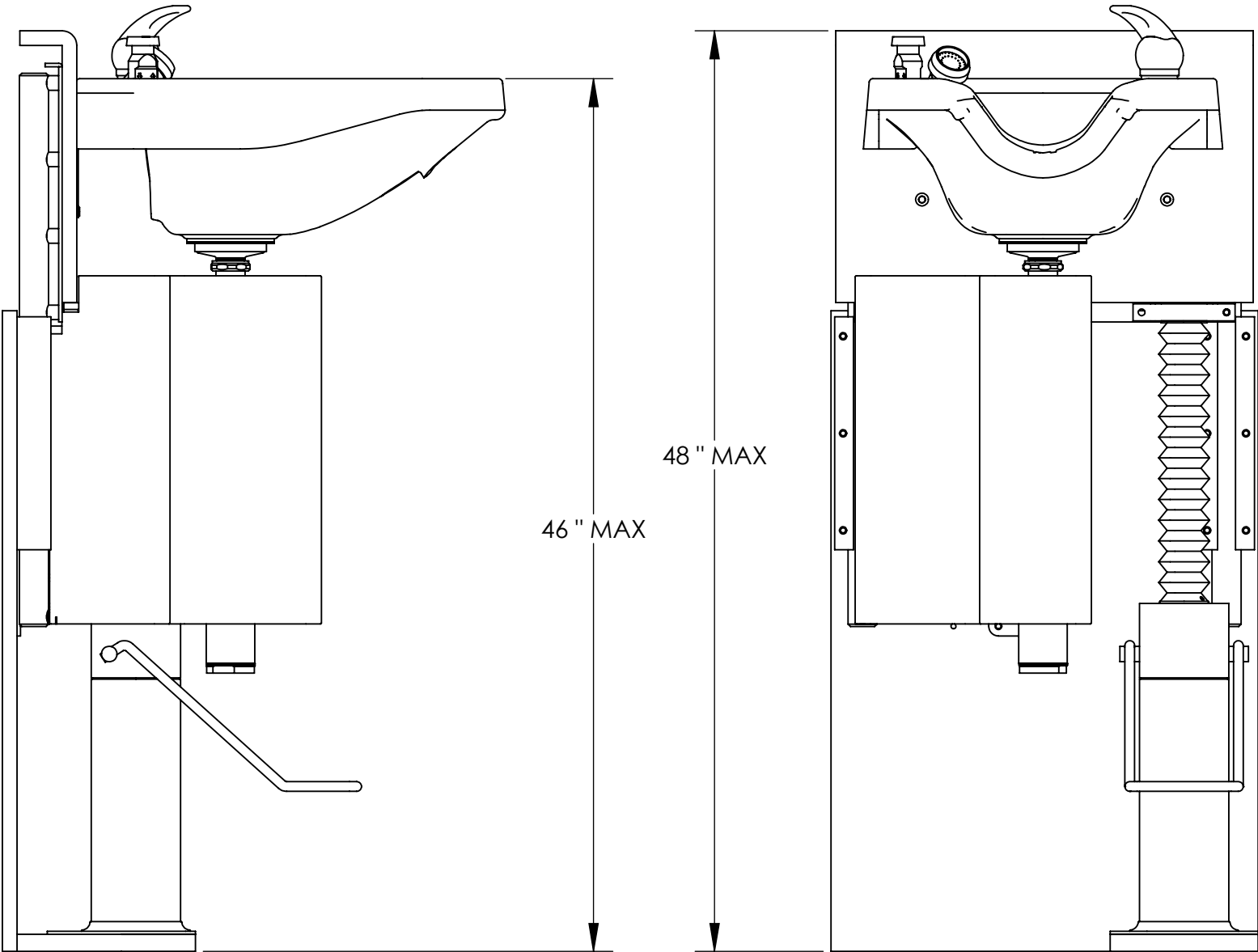
D

D



C

C



B

B

DRAWING NO. K100

A

A

NEXT ASSY

|                                   |             |
|-----------------------------------|-------------|
| <p>MM(INCH)<br/>25.4MM=1 INCH</p> |             |
| <p>TOLERANCES EXCEPT AS NOTED</p> |             |
| MM                                | INCHES      |
|                                   | .0 ± .1     |
|                                   | .00 ± .01   |
|                                   | .000 ± .005 |
| <p>ANGLES ± 0.5°</p>              |             |
| <p>MATERIAL</p>                   |             |
| <p>FINISH</p>                     |             |

|                     |                  |
|---------------------|------------------|
| DRAFTER<br>C.SCHEFF | DATE<br>10/15/07 |
| DESIGNER            | DATE             |
| CHECKER             | DATE             |
| CUSTOMER APPROVAL   | DATE             |

|   |                            |        |
|---|----------------------------|--------|
| <p><b>ACCESSIBLE SYSTEMS, INC.</b><br/>9917 13TH AVENUE NORTH - MPLS, MN 55441 PHONE: 612 . 238 . 4600</p>  |                            |        |
| <p>TITLE<br/><b>MULTI-STAGE SYSTEM</b></p>  |                            |        |
| <p>PROPRIETARY AND CONFIDENTIAL<br/>The information contained in this drawing is sole propriety of Accessible Systems, Inc.<br/>Any reproduction in whole or in part without written permission is strictly prohibited.</p> |                            |        |
| SIZE<br><b>B</b>  | DRAWING NO.<br><b>K100</b> |        |
| DO NOT SCALE DRAWING  | WWW.ADJUSTASINK.COM        | 2 OF 3 |



4

3

2

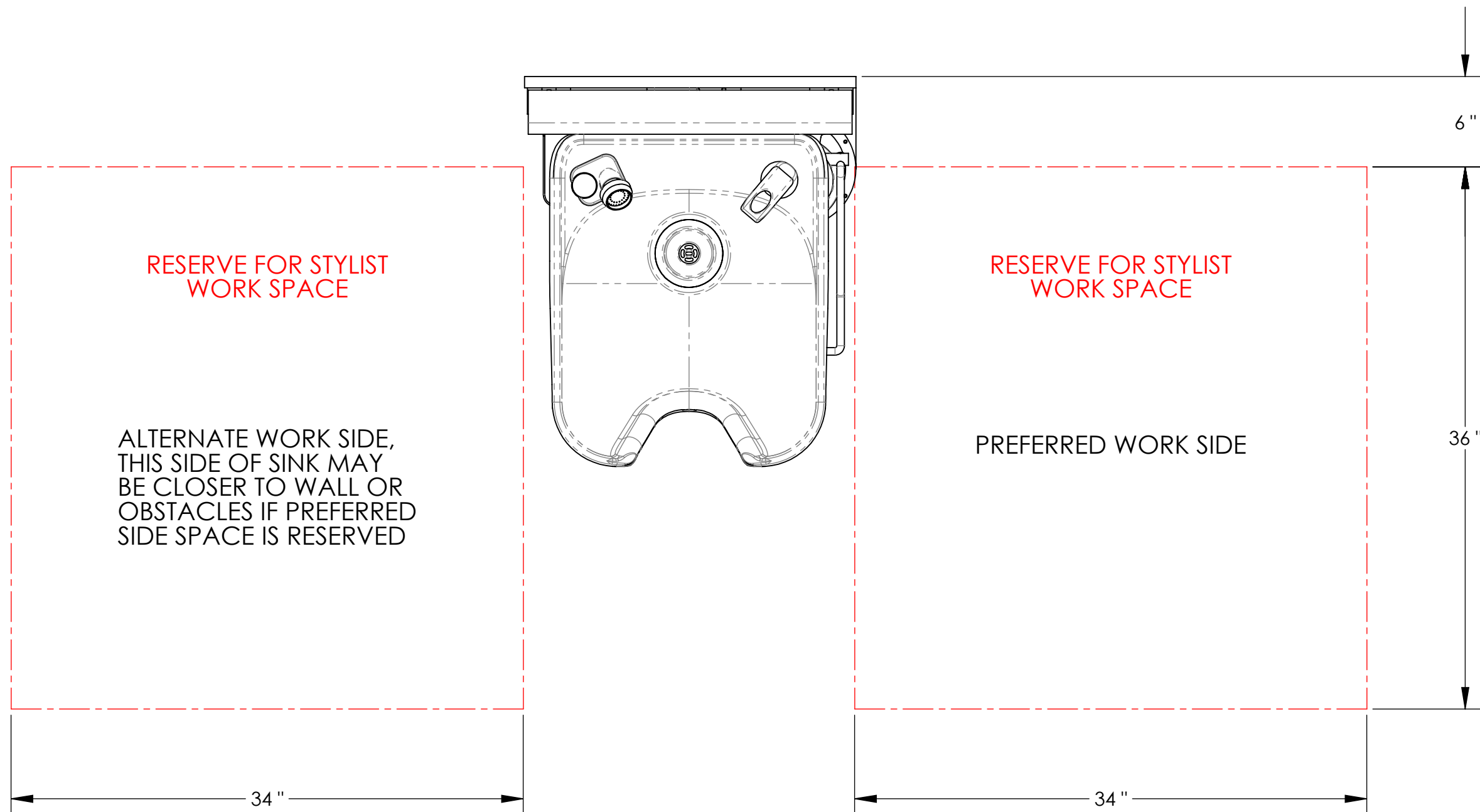
1

4

3

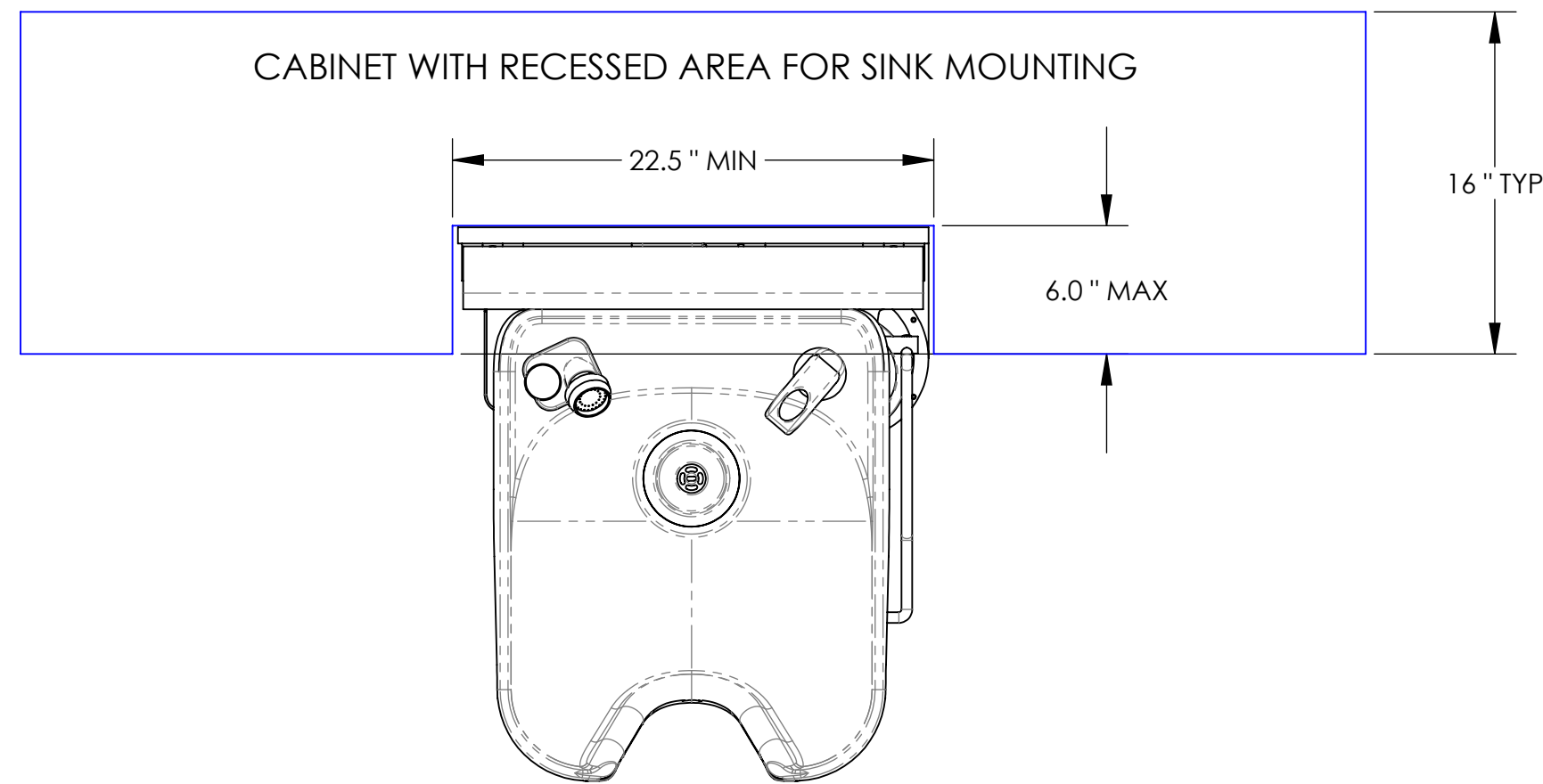
2

1

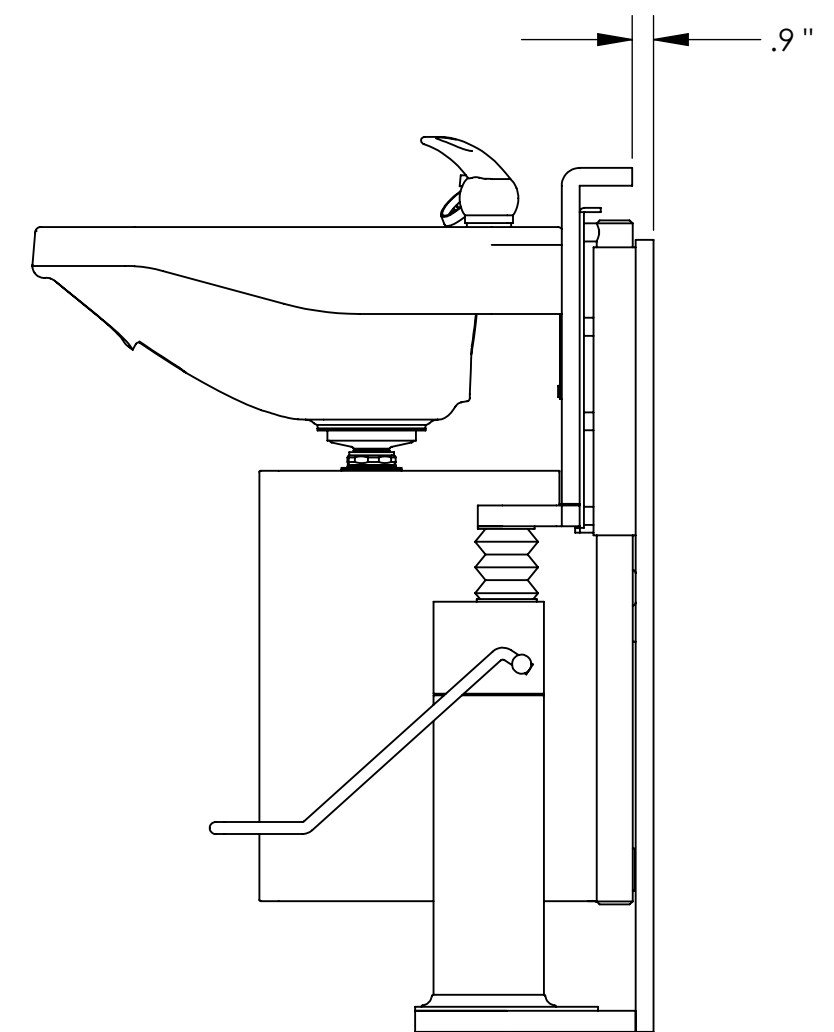


RESERVE WORK SPACE FOR SYLIST IN SALON PLAN. IF MULTIPLE SINKS ARE INSTALLED ALONG THE SAME WALL, SPACE AT 54" OR GREATER ON CENTER

THE ADJUSTABLE BACKSPLASH REQUIRES ADEQUATE CLEARANCE TO LIFT. ADD SPACER BLOCKS OR PANELS BEHIND WALL MOUNT PANEL IF TRIMWORK OR OTHER ELEMENT WILL INTERFERE



THE ADJUST-A-SINK MAY BE MOUNTED FLUSH TO A WALL OR FRONT FACE OF CABINETS. THE UNIT MAY ALSO BE RECESSED FROM CABINET FACE BY A MAXIMUM OF 6" TO ALLOW FOR WORK ACCESS



NEXT ASSY

|  |             |                     |                  |   |  |         |  |           |  |             |          |      |
|--|-------------|---------------------|------------------|---|--|---------|--|-----------|--|-------------|----------|------|
|  |             | DRAFTER<br>C.SCHEFF | DATE<br>10/15/07 | <b>ACCESSIBLE SYSTEMS, INC.</b><br>9917 13TH AVENUE NORTH - MPLS, MN 55441 PHONE: 612.238.4600  |  |         |  |           |  |             |          |      |
| TOLERANCES EXCEPT AS NOTED<br><table border="1"> <tr> <td>MM</td> <td>INCHES</td> </tr> <tr> <td></td> <td>.0 ± .1</td> </tr> <tr> <td></td> <td>.00 ± .01</td> </tr> <tr> <td></td> <td>.000 ± .005</td> </tr> </table> |             | MM                  | INCHES           |   |  | .0 ± .1 |  | .00 ± .01 |  | .000 ± .005 | DESIGNER | DATE |
| MM   | INCHES      |                     |                  |   |  |         |  |           |  |             |          |      |
|  | .0 ± .1     |                     |                  |   |  |         |  |           |  |             |          |      |
|  | .00 ± .01   |                     |                  |   |  |         |  |           |  |             |          |      |
|  | .000 ± .005 |                     |                  |   |  |         |  |           |  |             |          |      |
| ANGLES ± 0.5°  |             | CHECKER             | DATE             | PROPRIETARY AND CONFIDENTIAL<br>The information contained in this drawing is sole propriety of Accessible Systems, Inc. Any reproduction in whole or in part without written permission is strictly prohibited. |  |         |  |           |  |             |          |      |
| MATERIAL   |             | CUSTOMER APPROVAL   | DATE             | SIZE <b>B</b> DRAWING NO. <b>K100</b>   |  |         |  |           |  |             |          |      |
| FINISH   |             |                     |                  | DO NOT SCALE DRAWING    WWW.ADJUSTASINK.COM    3 OF 3   |  |         |  |           |  |             |          |      |

4

3

2

1

D

C

B

A

DRAWING NO. K100