

## Model LV-10 and LV-10S Lavatory Lift Design Guide



LV-10 shown with white solid surface top with integral side and back splash for corner installation.  
Exposed lower side panel and knee panel in gray solid surface.

- The LV-10 Adjust-a-Sink System elevates the lavatory top 10 inches vertically.
- Height from the floor to the top ranges from 26" to 36" when mounted at the recommended mounting height.
- The LV-10 frame accommodates lavatory top widths from 30 inches to 41 inches.
- The LV-10 frame accommodates lavatory top depth of 22 inches to the rear wall. Tops are typically fabricated with a gap at the rear to allow clearance for a mirror mounted to rear wall.
- The LV-10 frame mounts to the rear wall, no floor posts needed.
- A pushbutton controlled electric lift elevates the lavatory top (requires 120V GFCI outlet).
- If the top will be located next to side wall(s) or cabinet(s), a clearance of ½" must be incorporated between the top and the vertical surface to allow for movement.
- The electric lift is designed to only provide a lifting force to raise the unit, gravity brings it down, so the maximum downforce on objects or persons beneath is the weight of the lavatory top, about 70 lbs.
- The LV-10S model adds a pivoting Stop-Switch plate beneath the lavatory top to further reduce the downward force applied to objects beneath when lowered to about 10 lbs.
- All lift frames are IAPMO and EGS listed to ASME A112.19.12 and supplied with supplied with a patented telescoping drain system that is also IAPMO listed to ASME A112.19.12.

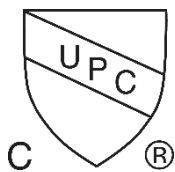


LV-10 adjusted to 36" height



LV-10 adjusted to 26" height

White solid surface basin and top  
 Integral back and side splashes  
 White solid surface knee panel (concealment panel)



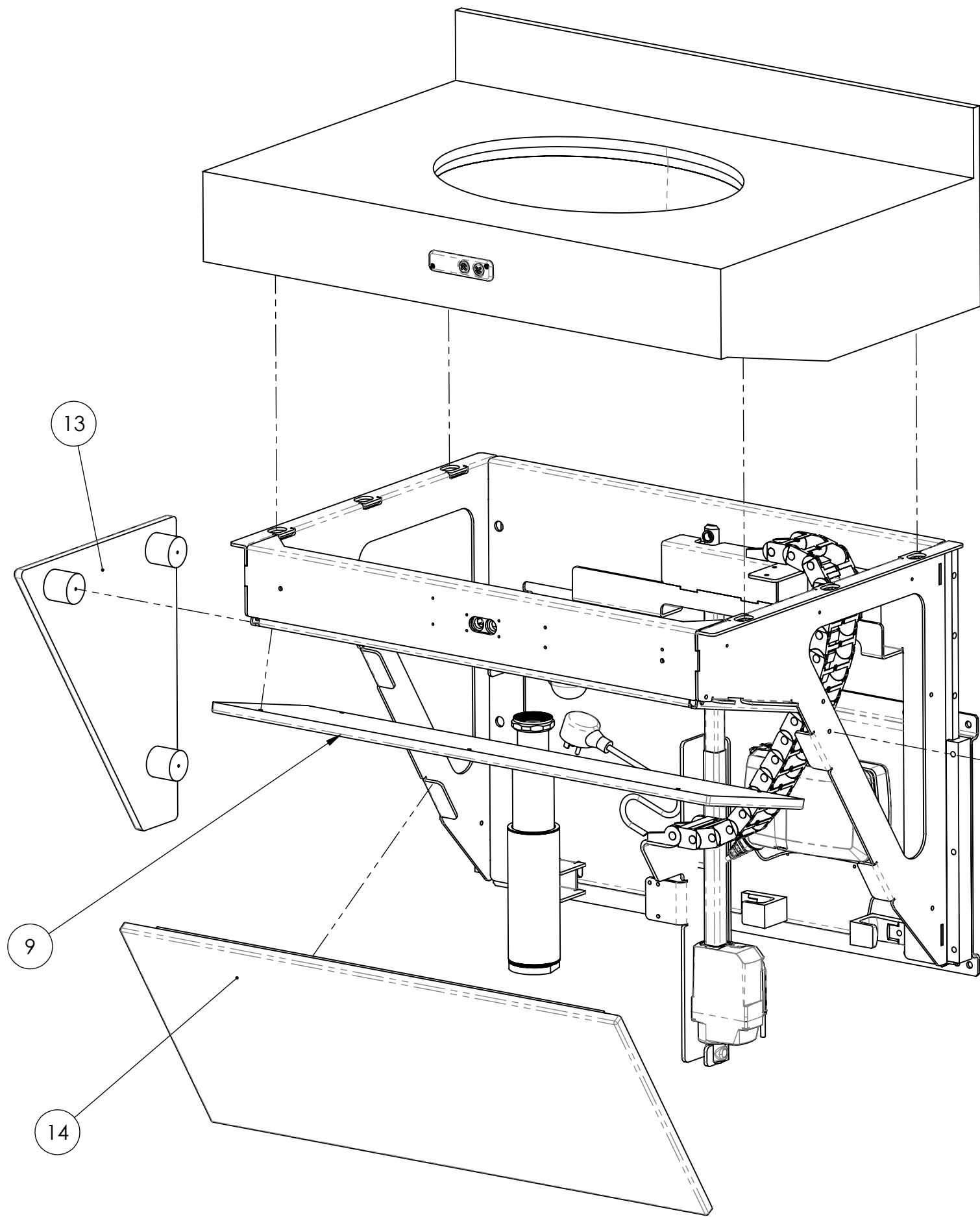
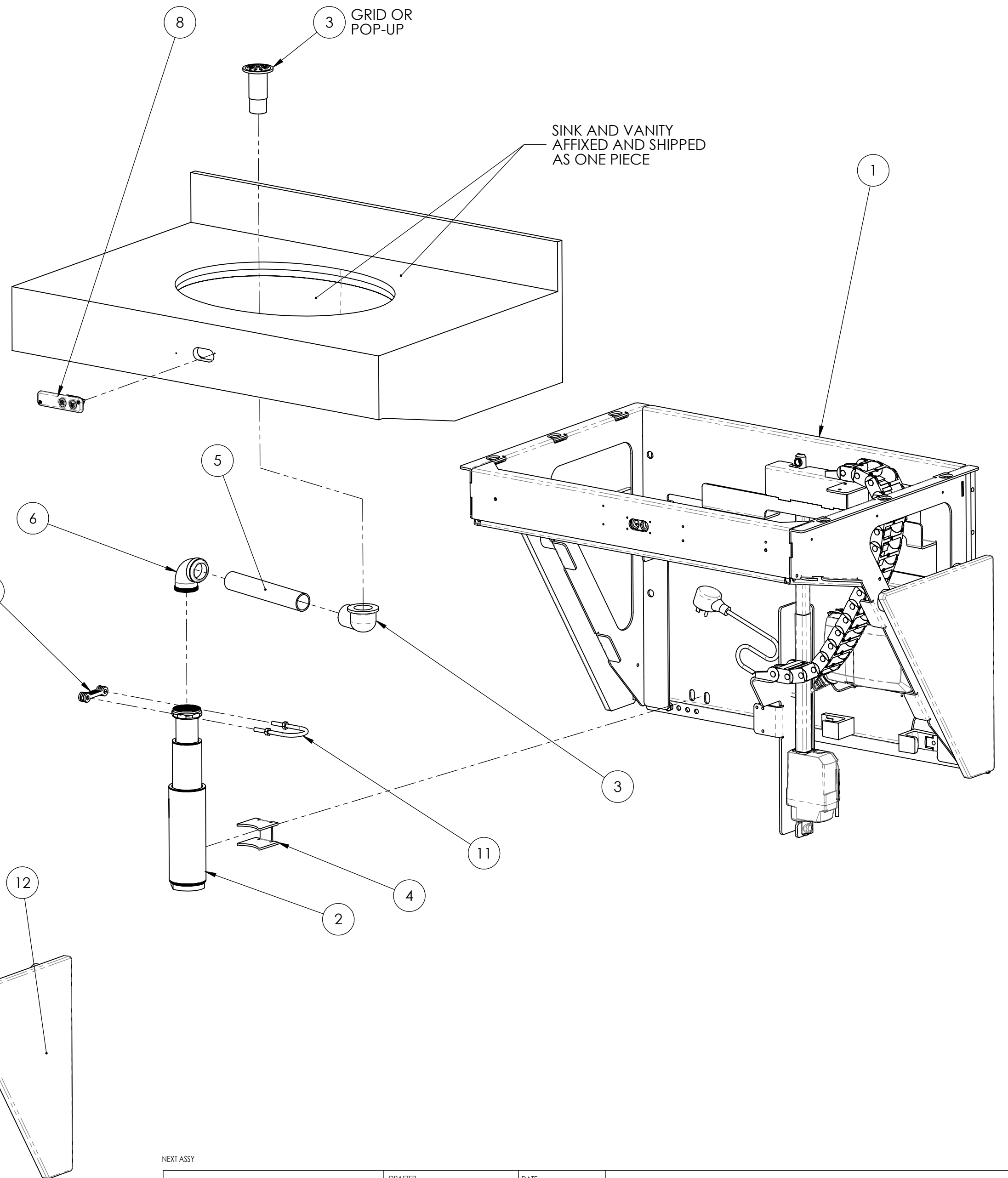
cUPC Listed  
 File # 5496



Certified to electrical  
 safety standards  
 File # E10062

<input type="checkbox"/> LV-10 <input type="checkbox"/> LV-10S	<b>Model Selection –</b> LV-10 LV-10S with additional stop plate beneath sink
<input type="checkbox"/> Lift Frame centered	<b>Lift Frame installation -</b> Confirm the lift frame is mounted in the center of the lavatory space, the sink must be centered within the lift frame, top must overhang equally on each side of Lift Frame.
<input type="checkbox"/> Lift and drain only <input type="checkbox"/> Lift, drain and Top	<b>Top Selection –</b> Lift only – customer will source a top and trim panels from their chosen fabricator following ASI recommendations. Lift and Top – fill out the following sections to specify the top from ASI.
Width _____  <input type="checkbox"/> No side splashes <input type="checkbox"/> Side Splash on right <input type="checkbox"/> Side Splash of left <input type="checkbox"/> Side Splash on both	<b>Top Configuration –</b> Width of mounting location _____ Min 31”, Max 42” (top will be fabricated 1” narrower for clearance).  NO Side Splashes (free standing wall mount lavatory) Right side splash (right corner mounting) Left side splash (left corner mounting) Both left and right side splashes (alcove/recessed mounting)
<input type="checkbox"/> Gemstone 1512VO <input type="checkbox"/> Gemstone 1514V Color _____	<b>Basin Selection –</b> Gemstone 1512VO Oval Gemstone 1514V Rectangular Other: _____
Color _____	<b>Top Material and Color –</b> Avonite solid surface is the standard manufacturer, other material may be higher _____
<input type="checkbox"/> Fixture selected	<b>Fixture Selection –</b> Specify details/ top cutouts, Fixtures not supplied by Accessible Systems _____
QTY _____	<b>Number of Lavatory units being ordered.</b>
<input type="checkbox"/> Drain selected	<b>Drain Selection –</b> Confirm the selected drain has an offset elbow with 1-1/4” female threads. Drains not supplied by Accessible Systems. _____
<input type="checkbox"/> Side panels	<b>Side Panels (Millwork) –</b> If your sink top has exposed side(s), confirm your millwork provider will fabricate side panels per your design. (see reference drawings).

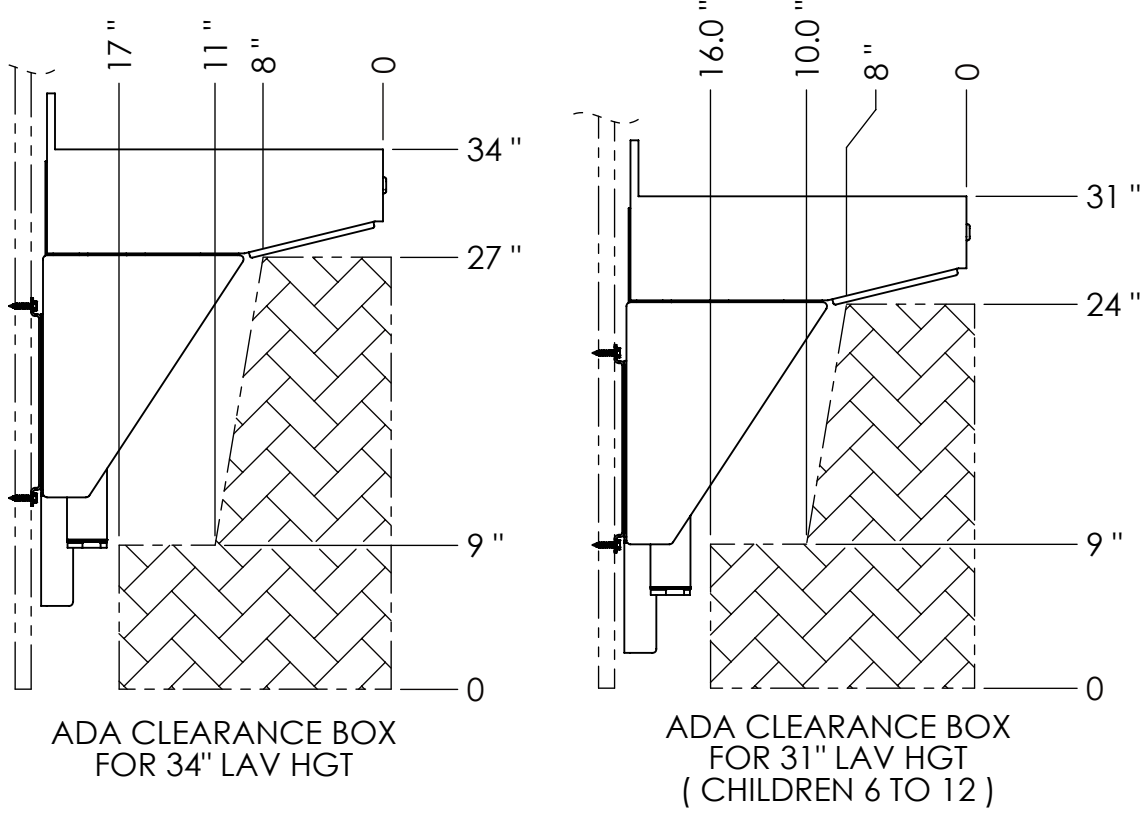
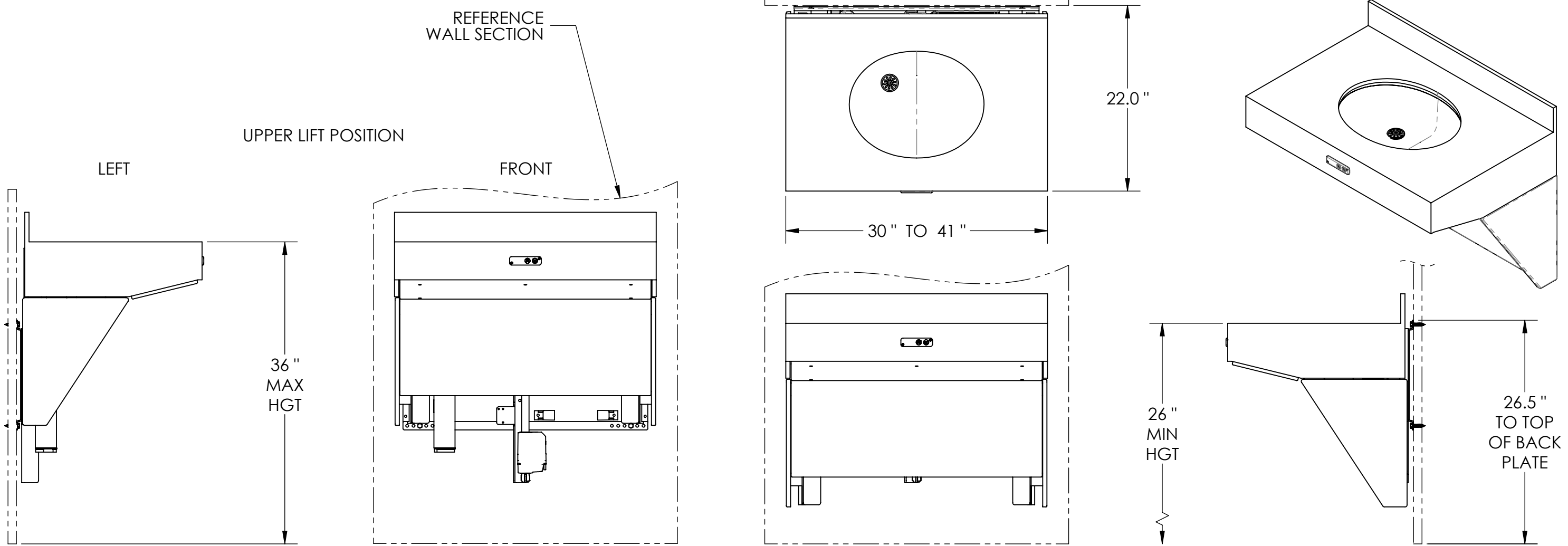
ITEM	QTY	PART NUMBER	VENDOR	VENDOR P/N	DESCRIPTION
1	1	41200 RA			LIFT ASSY - LV-10
2	1	T1510			TELESCOPING DRAIN
3	1	SINK DRAIN ASSY			BY OTHERS
4	1	41170 RA			DRAIN MOUNT - LOWER
5	1	20700			OFFSET TUBE - 12" - TRIM TO FIT
6	1	20710			SLIP ELBOW
7	1	41300 RA			LAVATORY TOP
8	1	40560			CONTROL BUTTON ASSEMBLY
9	1	41360 RA			KNEE PANEL - UPPER
10	4	41180 RA			DRAIN MOUNT SPACER - UPPER
11	1	20720			U-BOLT, 2" U X 2.5" L X 1/4-20
12	1	41380 RA			RH SIDE COVER (OPTIONAL)
13	1	41390 RA			LH SIDE COVER (OPTIONAL)
14	1	41350 RA			KNEE PANEL ASSEMBLY - LOWER



NEXT ASSY

<p>MM(INCH) 25.4MM=1 INCH</p>		DRAFTER A.WRIGHT	DATE 03-05-22	<p><b>ACCESSIBLE SYSTEMS, INC.</b> 3700 ANNAPOLIS LANE NORTH - MPLS, MN 55447 PHONE: 612 . 238 . 4600</p>
<p>TOLERANCES EXCEPT AS NOTED</p>		DESIGNER A.OLSON	DATE 03-12-17	
MM	INCHES	CHECKER	DATE	TITLE LV-10, LV-10S LAVATORY LIFT
	.0 ± .1	CUSTOMER APPROVAL	DATE	PROPRIETARY AND CONFIDENTIAL The information contained in this drawing is sole propriety of Accessible Systems, Inc. Any reproduction in whole or in part without written permission is strictly prohibited.
	.00 ± .01			SIZE C DRAWING NO. LV-10 RA
	.000 ± .005			DO NOT SCALE DRAWING
ANGLES ± 0.5°				WWW.ADJUSTASINK.COM
MATERIAL				1 OF 5
FINISH				

THIRD ANGLE PROJECTION



NEXT ASSY

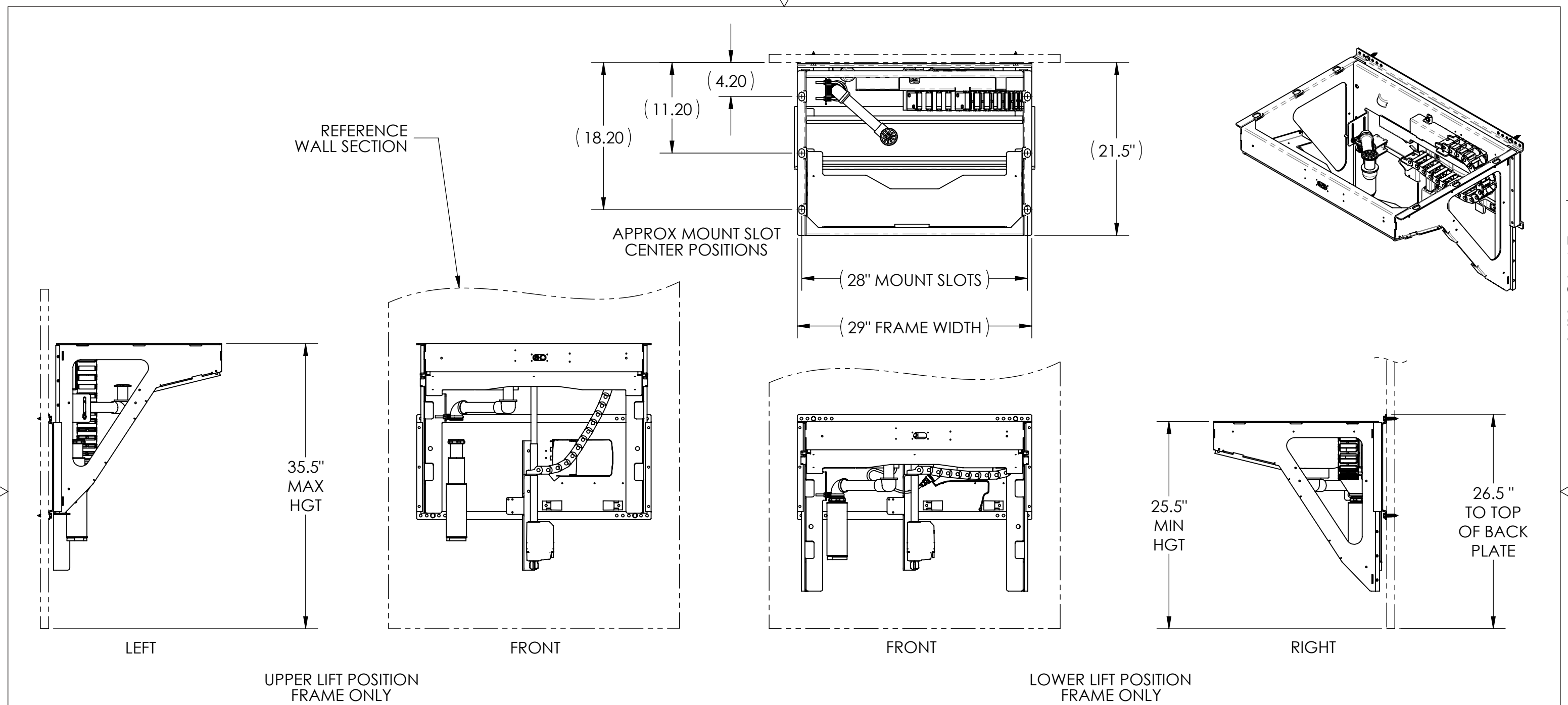
MM(INCH) 25.4MM=1 INCH	
TOLERANCES EXCEPT AS NOTED	
MM	INCHES
	.0 ± .1
	.00 ± .01
	.000 ± .005
ANGLES ± 0.5°	
MATERIAL	
FINISH	

DRAFTER A.WRIGHT	DATE 03-05-22
DESIGNER A.OLSON	DATE 03-12-17
CHECKER	DATE
CUSTOMER APPROVAL	DATE

THIRD ANGLE PROJECTION

<b>ACCESSIBLE SYSTEMS, INC.</b>		
3700 ANNAPOLIS LANE NORTH - MPLS, MN 55447 PHONE: 612 . 238 . 4600		
TITLE <b>LV-10, LV-10S LAVATORY LIFT</b>		
PROPRIETARY AND CONFIDENTIAL The information contained in this drawing is sole propriety of Accessible Systems, Inc. Any reproduction in whole or in part without written permission is strictly prohibited.		
SIZE <b>B</b>	DRAWING NO. <b>LV-10 RA</b>	
DO NOT SCALE DRAWING	WWW.ADJUSTASINK.COM	2 OF 5





NEXT ASSY

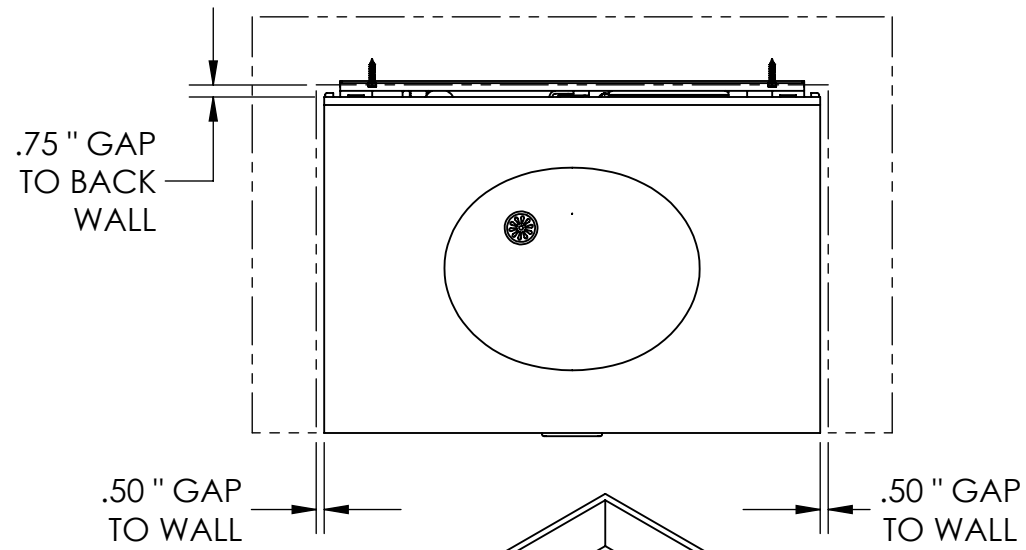
MM(INCH) 25.4MM=1 INCH	
TOLERANCES EXCEPT AS NOTED	
MM	INCHES
X	.0 ± .1
X	.00 ± .01
X	.000 ± .005
ANGLES ± 0.5°	
MATERIAL	
FINISH	

DRAFTER A.WRIGHT	DATE 03-05-22
DESIGNER A.OLSON	DATE 03-12-17
CHECKER	DATE
CUSTOMER APPROVAL	DATE

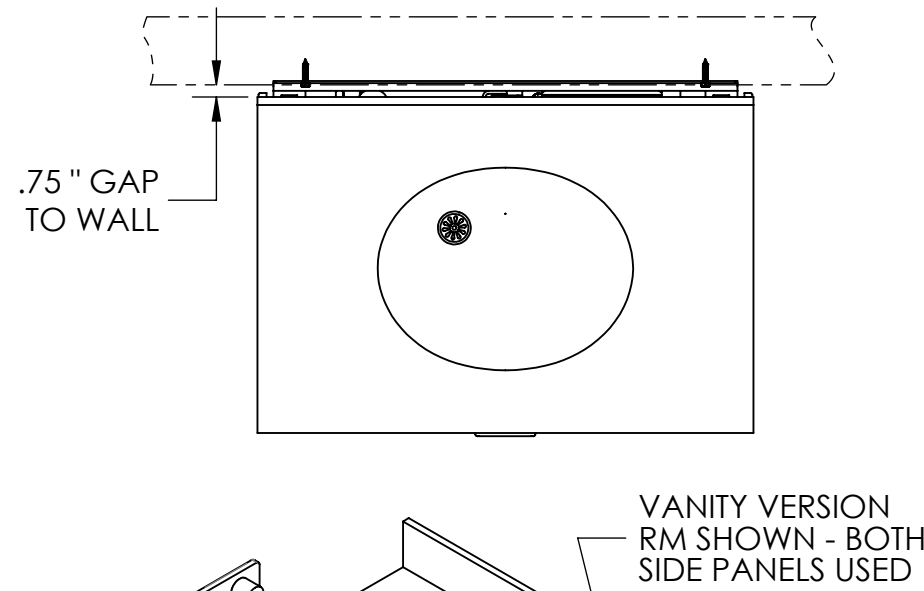
THIRD ANGLE PROJECTION

<b>ACCESSIBLE SYSTEMS, INC.</b>		
3700 ANNAPOLIS LANE NORTH - MPLS, MN 55447 PHONE: 612 . 238 . 4600		
TITLE <b>LV-10, LV-10S LAVATORY LIFT</b>		
PROPRIETARY AND CONFIDENTIAL The information contained in this drawing is sole propriety of Accessible Systems, Inc. Any reproduction in whole or in part without written permission is strictly prohibited.		
SIZE <b>B</b>	DRAWING NO. <b>LV-10 RA</b>	
DO NOT SCALE DRAWING	WWW.ADJUSTASINK.COM	3 OF 5

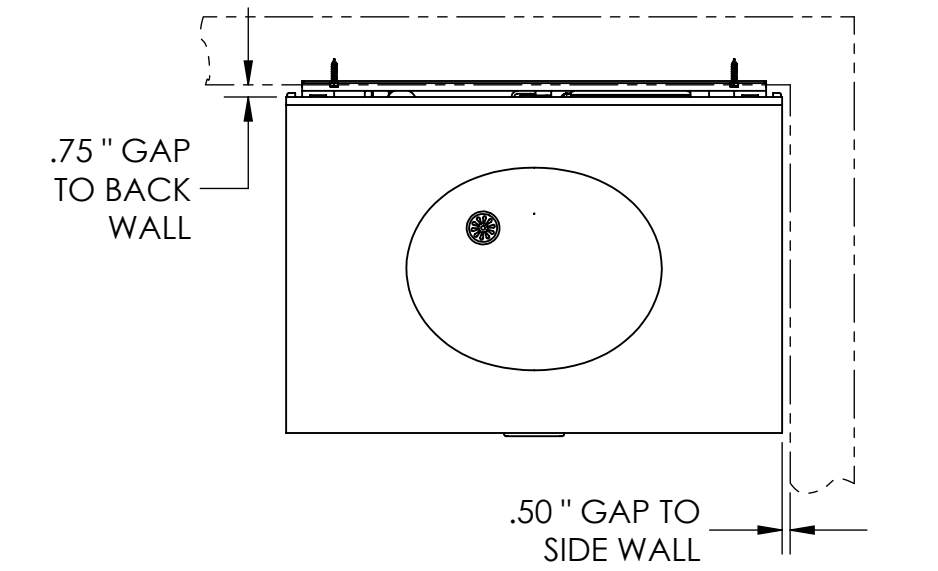
RECESSED MOUNT



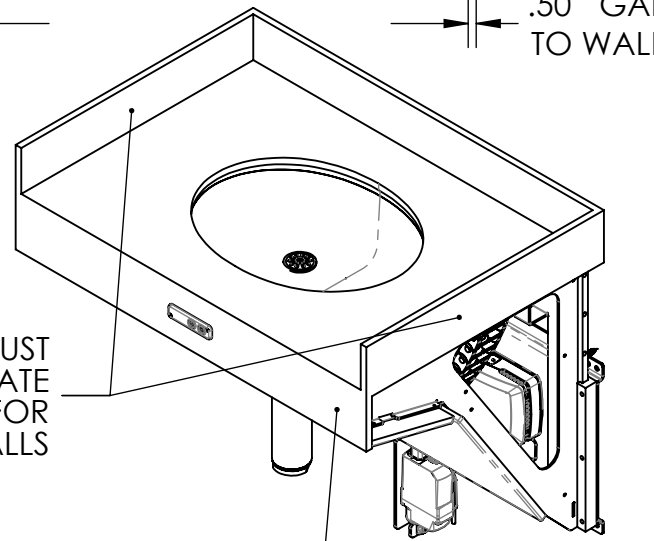
WALL MOUNT



CORNER MOUNT



TOPS MUST INCORPORATE SIDE SPASHES FOR BOTH SIDE WALLS



MIRRORS IN ALL CONFIGURATIONS MOUNTED WITH LOW PROFILE CLIPS .50" MAX

SIDE PANELS FASTEN TO FRAME ON BOTH SIDES

TOPS MUST INCORPORATE SIDE SPASH NEXT TO SIDE WALL

SIDE PANEL FASTENS TO FRAME ON VISIBLE SIDE

NOTES: ALL GAP DIMENSIONS ARE MINIMUM REQUIRED

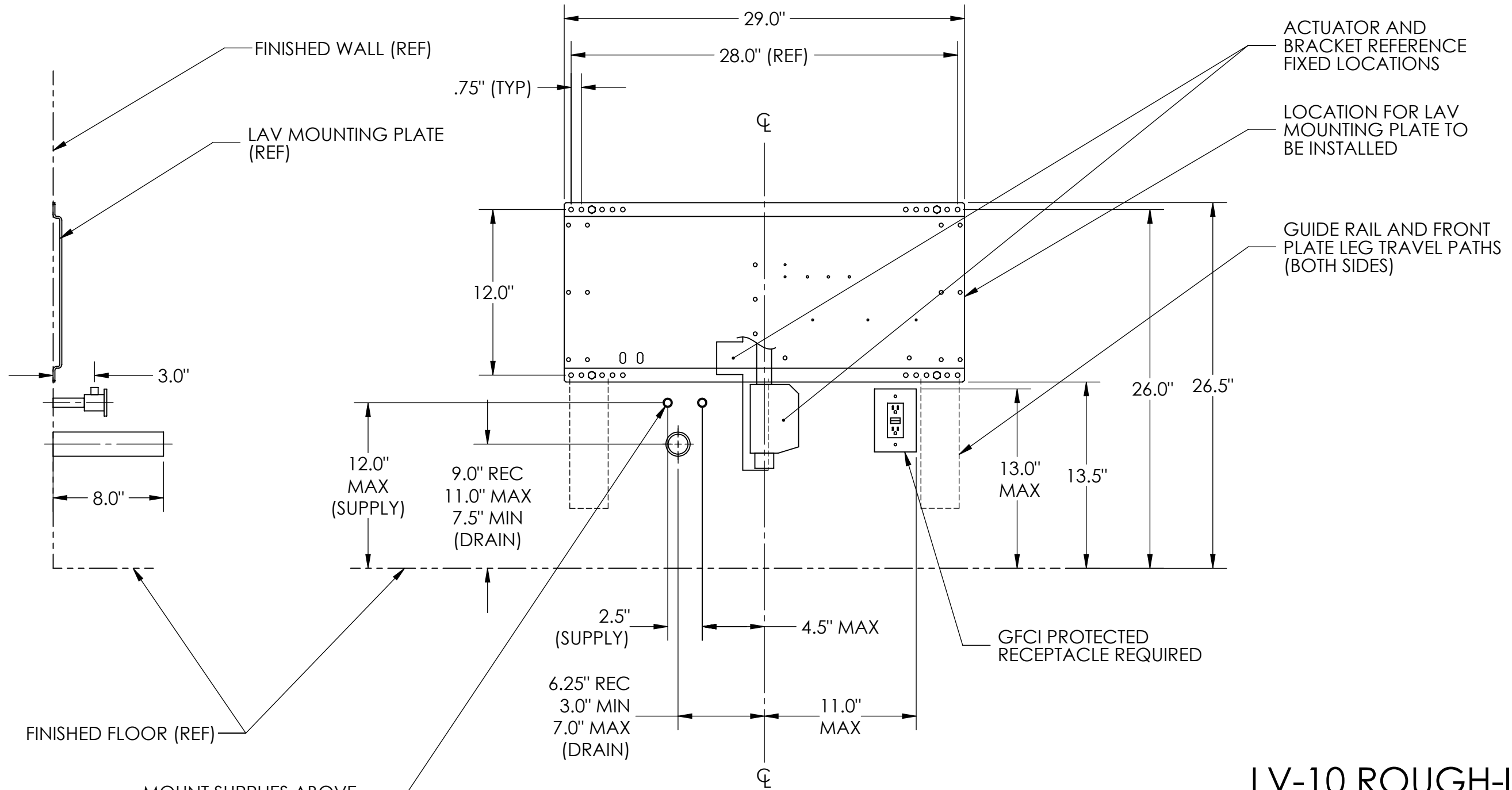
NEXT ASSY

TOLERANCES EXCEPT AS NOTED	
MM	INCHES
$.0 \pm .1$	$.00 \pm .01$
$.000 \pm .005$	$.000 \pm .005$
ANGLES $\pm 0.5^\circ$	
MATERIAL	
FINISH	

DRAFTER A.WRIGHT	DATE 03-05-22
DESIGNER A.OLSON	DATE 03-12-17
CHECKER	DATE
CUSTOMER APPROVAL	DATE

<b>ACCESSIBLE SYSTEMS, INC.</b>		
3700 ANNAPOLIS LANE NORTH - MPLS, MN 55447 PHONE: 612 . 238 . 4600		
TITLE <b>LV-10, LV-10S LAVATORY LIFT</b>		
PROPRIETARY AND CONFIDENTIAL The information contained in this drawing is sole propriety of Accessible Systems, Inc. Any reproduction in whole or in part without written permission is strictly prohibited.		
SIZE <b>B</b>	DRAWING NO. <b>LV-10 RA</b>	
DO NOT SCALE DRAWING	WWW.ADJUSTASINK.COM	4 OF 5

THIRD ANGLE PROJECTION

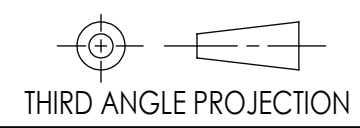


### LV-10 ROUGH-IN

NEXT ASSY

MM (INCH) 25.4MM=1 INCH	
TOLERANCES EXCEPT AS NOTED	
MM	INCHES
.0 ± .1	.00 ± .01
.000 ± .005	
ANGLES ± 0.5°	
MATERIAL	
FINISH	

DRAFTER A.WRIGHT	DATE 03-05-22
DESIGNER A.OLSON	DATE 03-12-17
CHECKER	DATE
CUSTOMER APPROVAL	DATE



<b>ACCESSIBLE SYSTEMS, INC.</b>		
3700 ANNAPOLIS LANE NORTH - MPLS, MN 55447 PHONE: 612 . 238 . 4600		
TITLE <b>LV-10, LV-10S LAVATORY LIFT</b>		
PROPRIETARY AND CONFIDENTIAL The information contained in this drawing is sole propriety of Accessible Systems, Inc. Any reproduction in whole or in part without written permission is strictly prohibited.		
SIZE <b>B</b>	DRAWING NO. <b>LV-10 RA</b>	
DO NOT SCALE DRAWING	WWW.ADJUSTASINK.COM	5 OF 5