

Adjust-a-Sink®

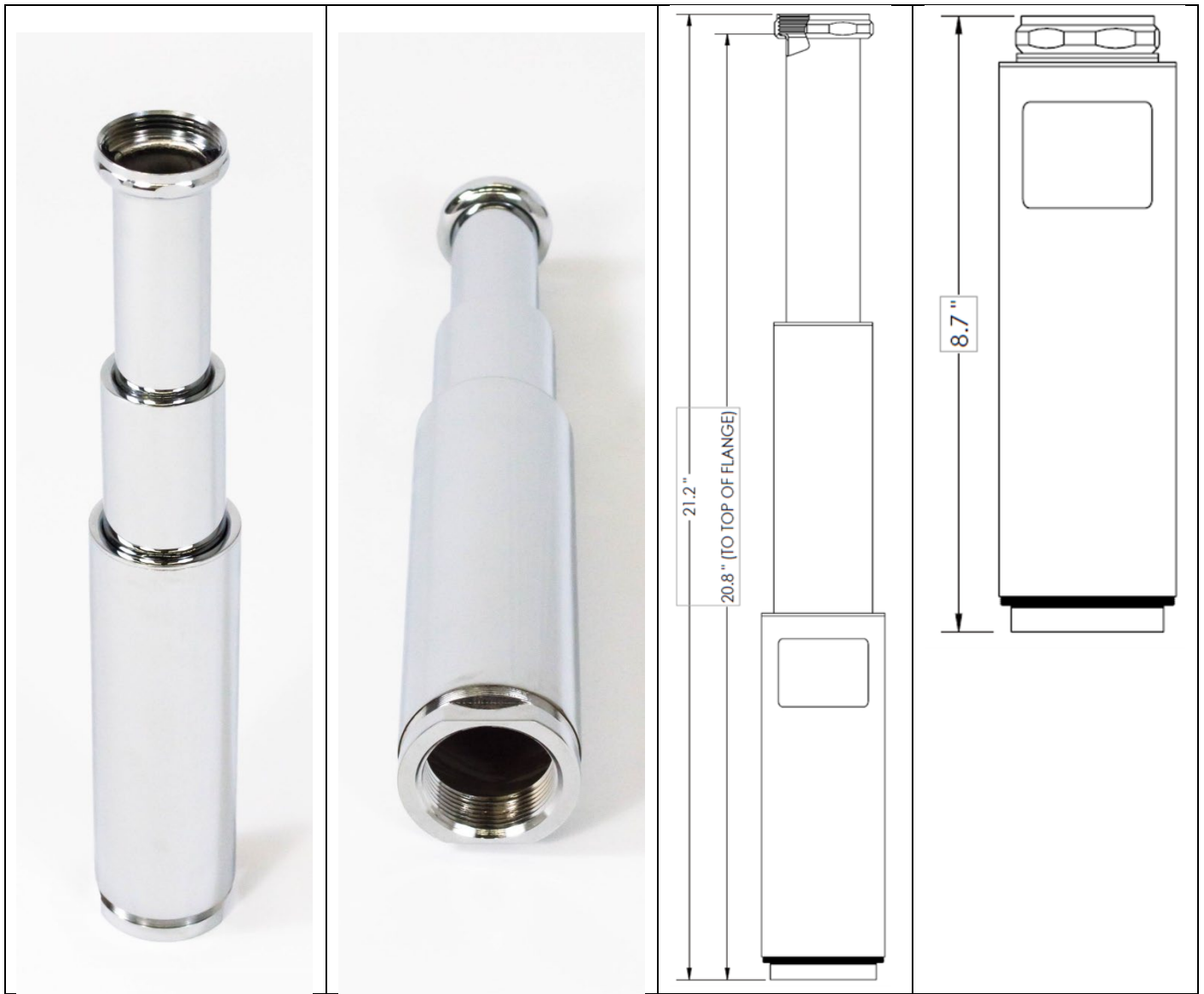
T1512 Telescoping Drain

****INSTALLATION INSTRUCTIONS****

2022

There are two keys to a successful installation:

- 1. The base section of the drain must be clamped to the fixed portion of the adjusting sink, DO NOT use downstream piping as support. The telescoping drain must remain parallel to the axis of motion, even if the sink is moved**
- 2. Verify the full range of vertical motion and fully secure the base of the telescoping drain to the fixed sink frame FIRST, then connect the piping between the drain base and building rough in.**



STEP 1: SITE EVALUATION & PLUMBING ROUGH IN

These instructions are written illustrating use of the K100-72-95 Drain Support Bracket, available as an accessory. Other drain mounting means can be used as long as a plumb and level drain position can be achieved and the base section of the drain is held securely in place.

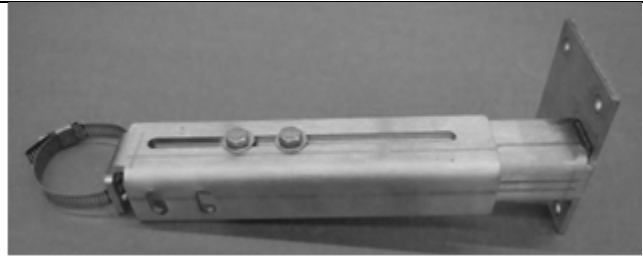
1. Mount the adjustable height sink as required. Be sure to level the sink and confirm its range of travel is 12 inches or less. The T1512 drain is capable of 12.4" of travel maximum. Attempting to extend the drain beyond 12" operating range will cause irreparable damage to the drain.



Ensure the sink is level

2. This is the available K100-72-95 Drain support bracket, as shown in these instructions.

Maximum adjusted length: 15", minimum adjusted length 9.5".



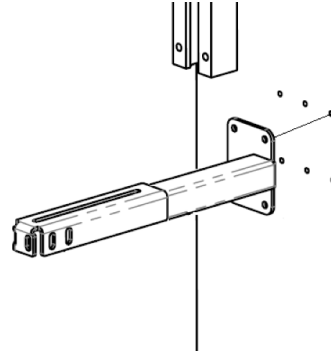
3. This is a drain shown mounted to a sink frame cross member as recommended. (note: this photo shows a prior generation of telescoping drain).

Do not rely on the drain piping to hold the base of the telescoping drain in place. Flexing of the piping will cause misalignment of the telescoping drain sections.



4. If using the optional K100-72-95 bracket, mount the Bracket assembly onto the fixed part of the adjustable sink frame or base. Make sure the two adjustment bolts on the bracket & clamp are loose enough to make adjustments.

There are two positions to install the K100-72-95 Drain Pipe Support Bracket:



If your waste rough in is **Below the bracket mounting point.**

- This is the “Low Drain” configuration
- Mount the Drain Pipe Support Bracket in the right-most four holes on the wall mounting panel.
- Install the telescoping drain and hose clamp on the **END** of the bracket.

If the waste is **beside the bracket mounting point.**

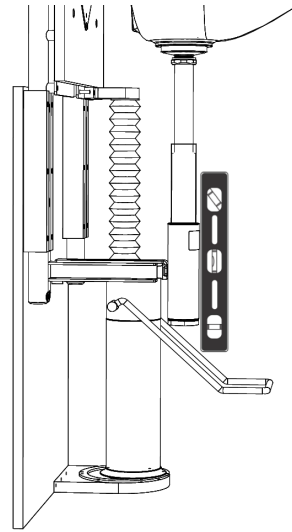
- This is the “High Drain” configuration
- Mount the Drain Pipe Support Bracket in the left-most four holes in the mounting panel.
- Install the telescoping drain and hose clamp to the **SIDE** of the bracket.



5. With the adjustable sink at its highest position extend the T1512 telescoping drain to the basket strainer or sink outlet.

Connect the slip joint nut; use a rubber tailpiece gasket at the joint.

Adjust the Drain Pipe Support Bracket you are using so that the Telescoping Drain unit is plumb to the floor and *hand tighten* any adjusting bolts on the bracket.



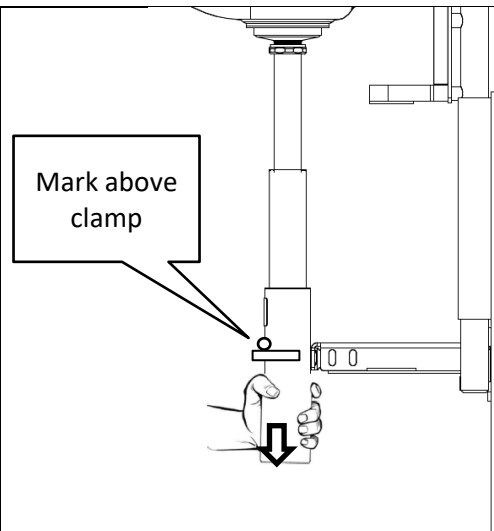
adjust bracket so drain is plumb

NOTE: It is critical to the proper operation of the telescopic drain that the sink strainer basket is level, front to back and side to side, and the telescopic drain is installed perpendicular to the floor – any deviation to this will cause premature wear and possible failure of the drain system. Damage from misalignment is not covered under warranty.

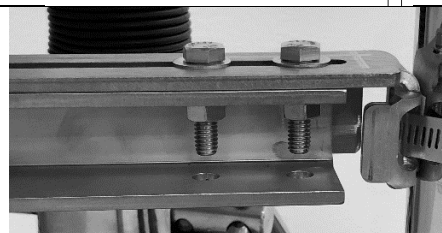
6. With the sink at the highest sink position:

Pull down on the base of the drain so it is fully extended.

Using a marker or tape, scribe a line or mark on the drain base section along the top of the clamp.

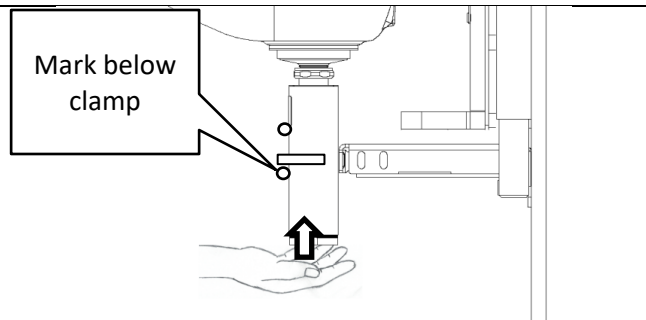


7. Move the unit to the lowest position and secure the bracket position making sure the drain is still plumb and parallel. If using the K100-72-95 bracket, fully tighten the two 5/16" bolts holding the pipe clamp to the drain support bracket.



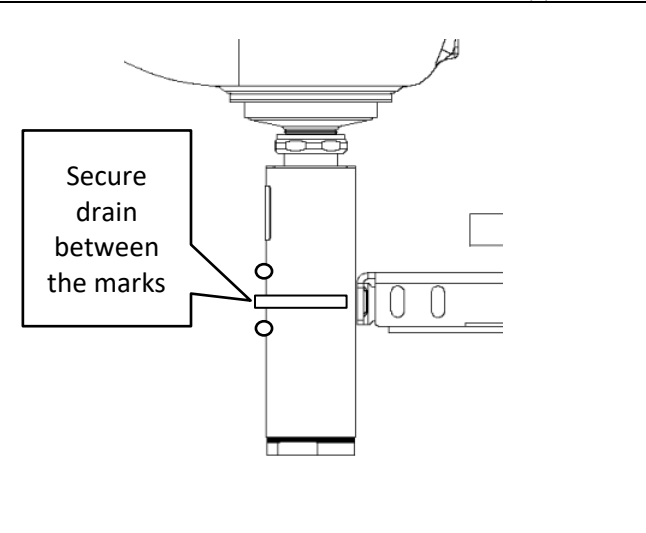
8. While at the lowest sink position, slide the base of the drain up so it is fully contracted.

Again using a marker or tape, scribe a line on the drain base section along the bottom of the clamp.



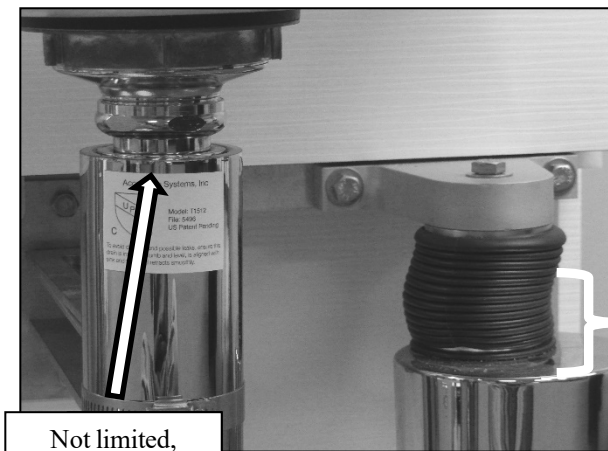
9. Adjust the bottom section of the drain unit up about 1/4" from full extension, centering the clamp between the marks made, and tighten the clamp.

Move the sink to both up & down extremes to check for binding of the telescoping drain. Make any minor adjustments to eliminate any binding before proceeding.

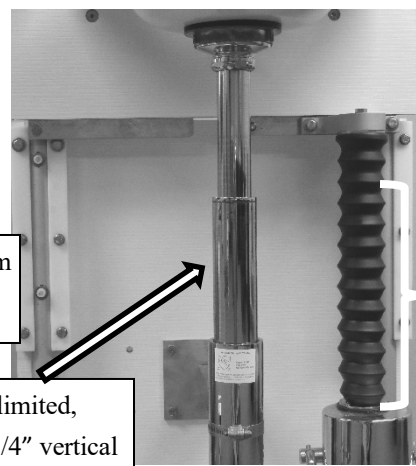


10. INITIAL TESTING PROCEDURE

- Raise and lower the unit all the way up and down several times to be sure it is operating properly, without binding **before** connecting it to the building drain.
- It is important that the lift system reaches its limits **prior** to the drain extending to its full range. Make any minor adjustments that are needed to keep the lift system from binding and to ensure that the lift system reaches its end of travel limit prior to the 3-Stage Telescopic Drain Assembly extending to its full range.



Not limited,
1/8" to 1/4" gap



Lift system
at lowest
position

Lift system
at highest
position

Not limited,
1/8" to 1/4" vertical
movement of center
section

Note: The lift system limits prior the drain limiting out

Note: The lift system limits out prior to the drain limiting out and the drain is perpendicular to the floor

- Now ensure that all parts are tightened securely. Care should be used to ensure you do NOT cause strain or binding on the T4512 Telescoping Drain Assembly.

IMPORTANT: Do not trim or alter or attempt to disassemble the Telescopic Drain in any way. All components that make up the Telescopic Drain Pipe Subassembly are integrated and work together. Altering its design or removing the lubricant will cause premature if not total failure of the telescopic drain mechanism and VOID the warranty.

11. Dry fit the bottom of the Drain Pipe Subassembly to the wastewater drain pipe using a UPC approved P-Trap or a hair trap (not supplied). Use appropriate plumbing methods to seal and secure the P-trap to the drain and the roughed in 1 1/2" waste drain. **Do not glue the P-Trap until you conduct the Initial Testing Procedure and know the telescoping drain does not bind.**

12. FINAL TESTING / LEAK TESTING PROCEDURE

Turn on the faucet and let run for 3-5 minutes at both the highest and lowest height positions. Check all assembled plumbing joints to verify seals. Take appropriate action to address any leaks. The telescopic drains are pressure tested per ASME standards prior to shipment—they should not leak if installed properly.

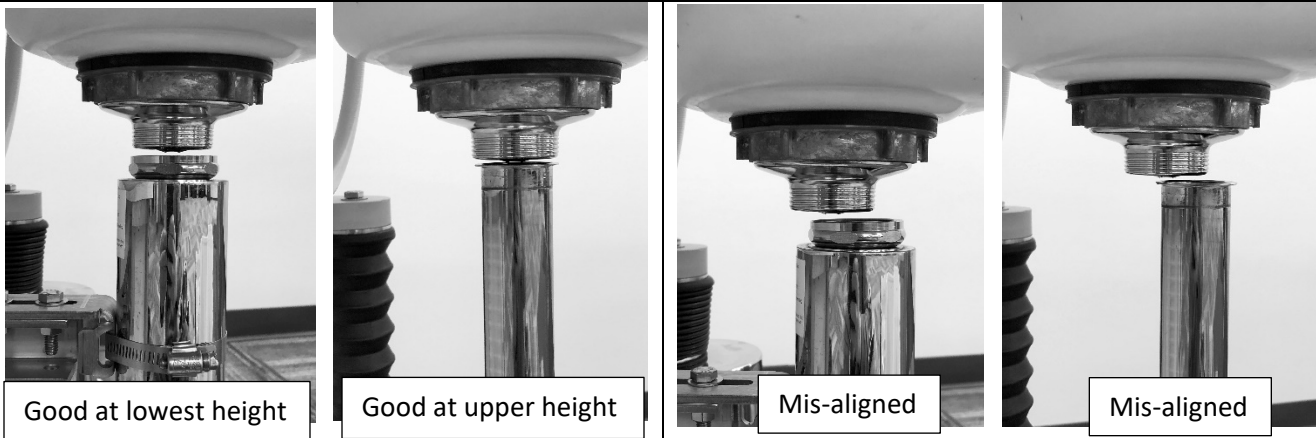
TROUBLESHOOTING:

The drain is leaking:

1. The top connection is leaking (most common):
 - a. The top joint is a metal flange to metal flange joint. Use a soft rubber gasket in this joint.
 - b. The slip joint nut is straight-threaded nut, it may become loose with sink movement, apply threadlocking compound to keep the slip nut tight. (teflon tape may work)

2. Leaks are coming from the telescoping joints:

The telescoping drain may not be plumb and is binding. Disconnect the top section from the sink and verify alignment at the high and low sink positions.



3. Leaks from the telescoping joints:

The lubricant applied to the telescoping tubes has been removed or dissolved by the chemicals flushed through the system. Reapply a valve lubricant that is most compatible with the system use.

Adjust-a-Sink®

MAINTENANCE FOR THE T1512 drain

2022

The T1212 telescoping drain meets ASME A112.19.12-2014 for adjustable drain waste systems. This testing involves extending and contracting the drain 20,000 times and confirming the drain holds a minimum pressure throughout.

Description:

Chrome Plated Brass construction

Three telescoping sections

Smooth internal wall

Internal stop collars prevent sections from separating

1-1/2" slip nut for connection to basket strainer or flange

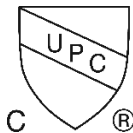
1-1/2" female tapered pipe thread for connection to waste

cUPC listed, file #5496

IMPORTANT: IT IS VERY IMPORTANT TO HAVE THE T1512 DRAIN INSTALLED CORRECTLY AND THE PLUMBING ALIGNED PERFECTLY. NOT DOING SO COULD RESULT IN UNDUE PRESSURE AND BINDING ON VARIOUS COMPONENT PARTS AND COULD ALSO CAUSE THE PLUMBING TO LEAK.

Drain Lubrication: The 3-Stage Drain is pre-lubricated with tested and approved lubricant. When extended, the exposed inner tube sections will be coated with a film of lubricant, do not apply cleaners to remove it. If additional lubrication is required, use a silicone based valve lubricant. Apply lubricant around the upper pair of sections when the drain is fully extended, then elevate the sink up and down to work the lubricant into the seals.

WITH PROPER CARE AND INSTALLATION, THE T1512 DRAIN WILL PROVIDE MANY YEARS OF SERVICE.





T1512

TWO YEAR LIMITED WARRANTY

T1512 drain products from Accessible Systems, Inc. have been manufactured under the highest standards of quality and workmanship. Accessible Systems, Inc. warrants to the original end-user purchaser this product to be free from defects in material and workmanship during normal use for two (2) years from date of purchase. A replacement for any defective part will be supplied for installation by you. Defects or damage caused by the use of other than genuine Adjust-a-Sink parts are not covered by this warranty. This warranty shall be effective from the date of purchase shown on the purchaser's receipt.

This warranty is valid for the original purchaser only and excludes product damage due to installation error, product abuse, or product misuse, whether performed by a contractor, service company, or end user. Accessible Systems, Inc. will not be responsible for labor charges, and/or damage incurred in installation, repair or replacement, nor for incidental, indirect, special, or consequential damages, including without limitation, damage to, or loss of use of, any equipment, lost sales or profits or delay or failure to perform this warranty obligation.

This warranty is void if this product is installed incorrectly or in an improper environment, overloaded, misused, abused, or altered in any manner, or not used under normal operating conditions or not in accordance with accompanying or relevant instructions, packaging or labels.

Accessible Systems, Inc. will advise you of the procedure to follow in making warranty claims. Contact technical support at 612-238-4600 or visit www.adjustasink.com for assistance diagnosing the problem. Product serial numbers and proof of purchase date are required.