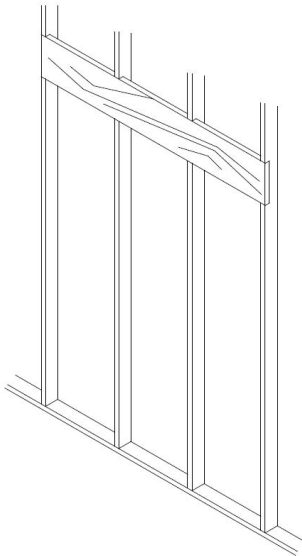


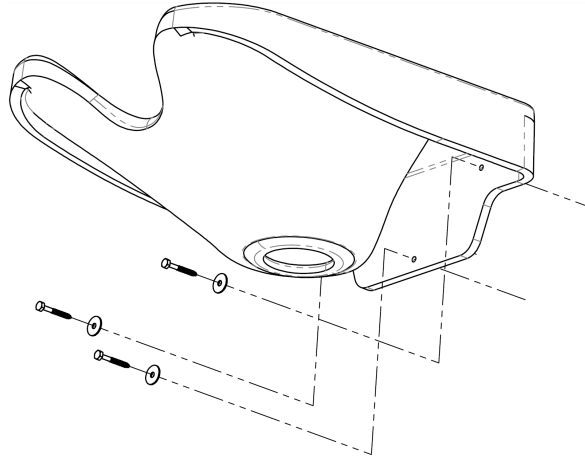
# Comfort Fit™ Bowl Mounting Instructions for Model #3050 Solid Surface

## 1. PROVIDE ADEQUATE SUPPORT BACKING BEHIND THE FINISHED WALL



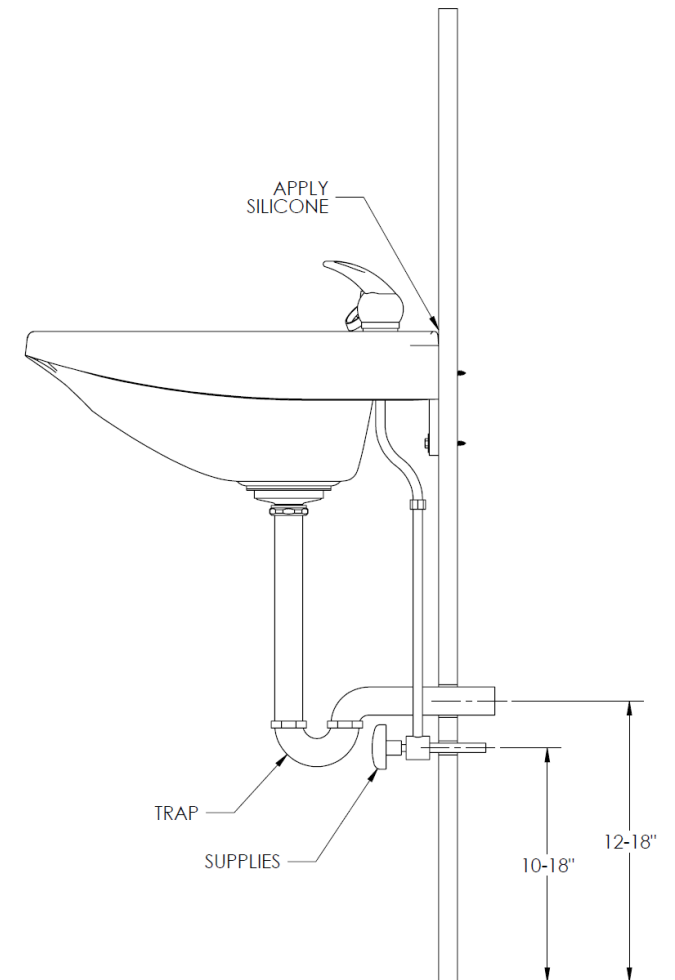
## 2. MOUNT THE SHAMPOO BOWL

Mount to the wall at a height of 35" from the top edge to the floor for a neckrest height of 34". Use 1/4" lag bolts (not included) and ensure they are fastened to a structural member or backing in the wall or cabinet. Ensure the shampoo bowl is level. Use the supplied oversized washers for each bolt.



## 3. ATTACH THE P-TRAP (not supplied)

Attach to the #20260 Basket Strainer (included). Connect the #650 fixture to the hot and cold supply lines (included). Apply a bead of silicone to the back edge of the bowl to seal it to the wall.



**Adjust-a-Sink®**

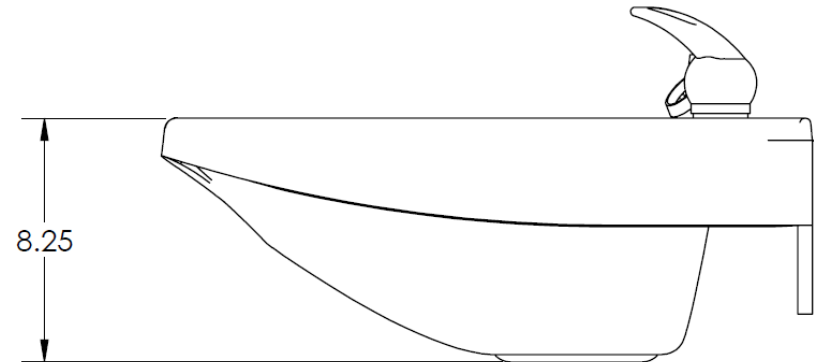
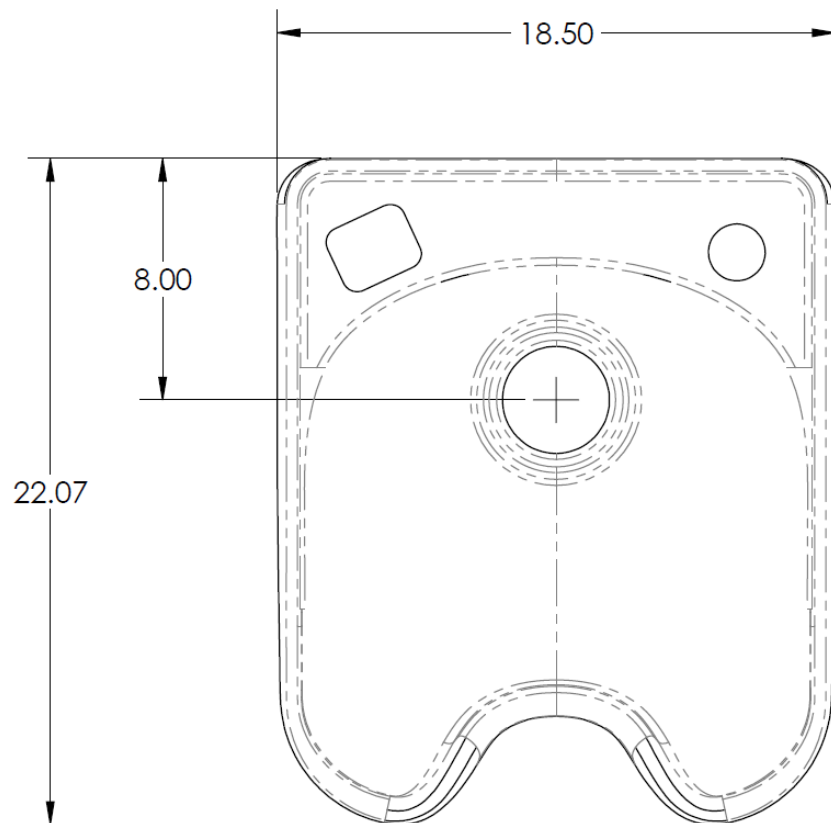
(866) 938-4608 | [www.adjustasink.com](http://www.adjustasink.com)

# Rough-In Specification for Model #3050

-IMPORTANT INFORMATION FOR INSTALLERS-

NOTE: It is the responsibility of the installer to ensure that installation conforms to all local plumbing codes and regulations.

Please consult with owner before mounting bowl in order to determine the most desirable neckrest height. Recommended neckrest height for Model #3050 Comfort Fit Shampoo Bowl is 34".



**Adjust-a-Sink®**

(866) 938-4608 | [www.adjustasink.com](http://www.adjustasink.com)