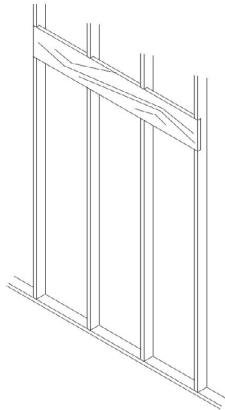


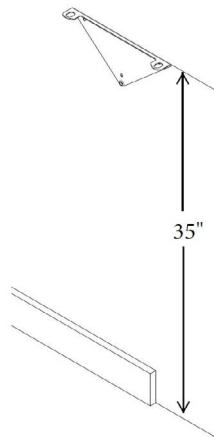
# Comfort Fit™ #3050 Bowl Mounting Instructions for Model #3050 Solid Surface

## 1 PROVIDE ADEQUATE SUPPORT BACKING BEHIND THE FINISHED WALL



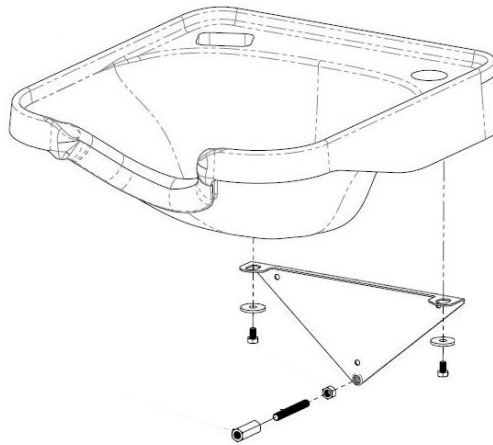
## 2 MOUNT THE #40540 BRACKET

Mount to the wall at a height of 35" from the top edge to the floor for a neckrest height of 34". Use 1/4" lag bolts (not included) and ensure they are fastened to a structural member or backing in the wall or cabinet. Ensure the Mounting Plate is level.



## 3 INSTALL THE LEVELING BOLT

Install the Leveling Bolt all the way into the #40540 Mounting Bracket and tighten the Hex Nut to secure. Thread the Coupling Nut all the way onto the opposite end of the Leveling Bolt.

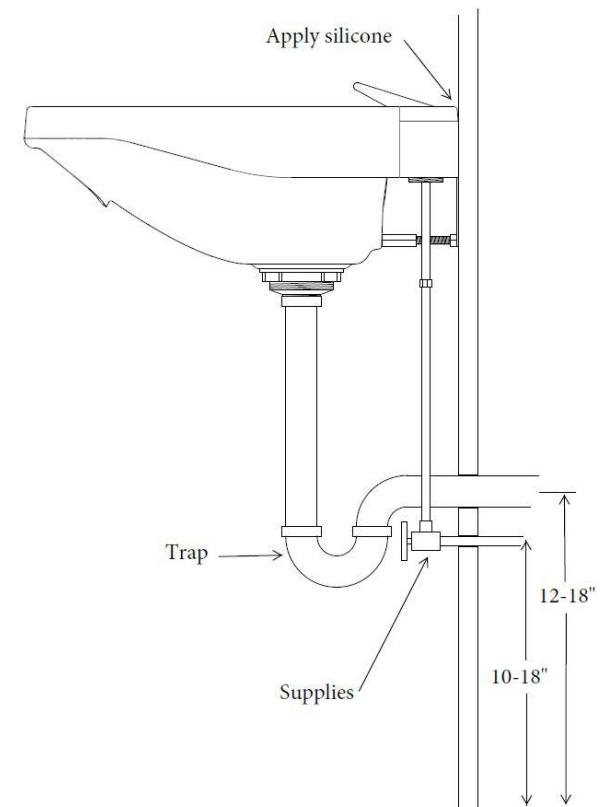


## 4 MOUNTING THE SHAMPOO BOWL

Set the bowl in place on the Mountin Plate and fasten using the bolts, washers and lockwashers. Ensure the bolts are tightened securely and that the bowl is flush with the wall or cabinet. Level the bowl by adjusting the Leveling Nut.

## 5 ATTACH THE P-TRAP (not supplied)

Attach to the #20260 Basket Strainer (included). Connect the #550 fixture to the hot and cold supply lines (included). Apply a bead of silicone to the back edge of the bowl to seal it to the wall.



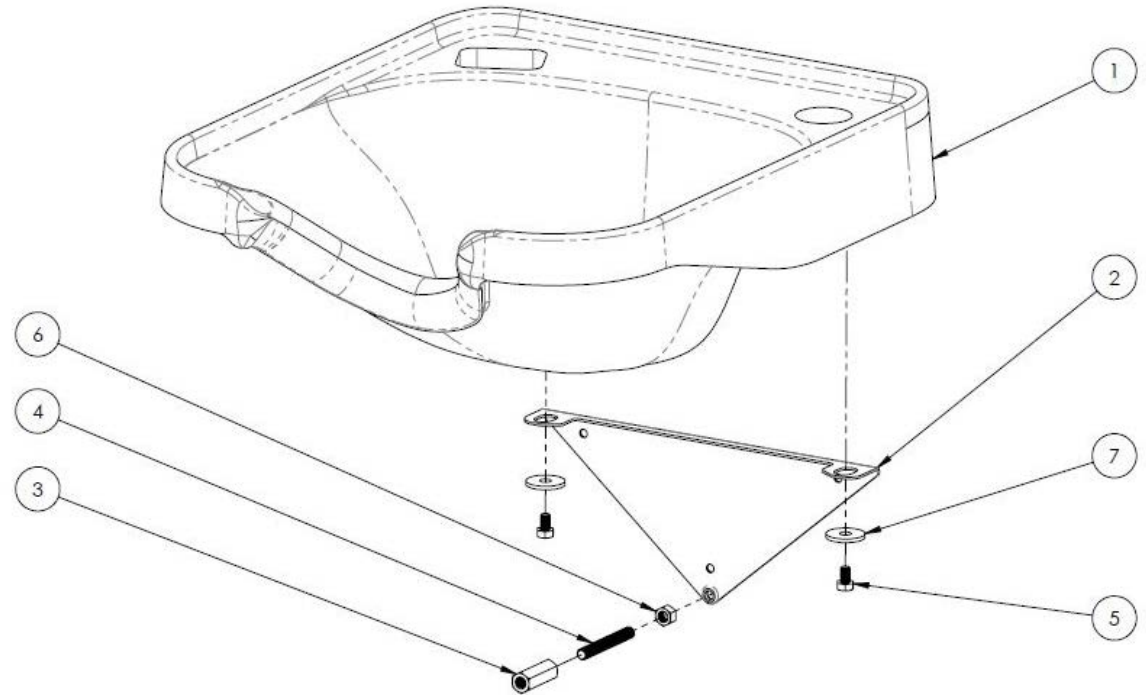
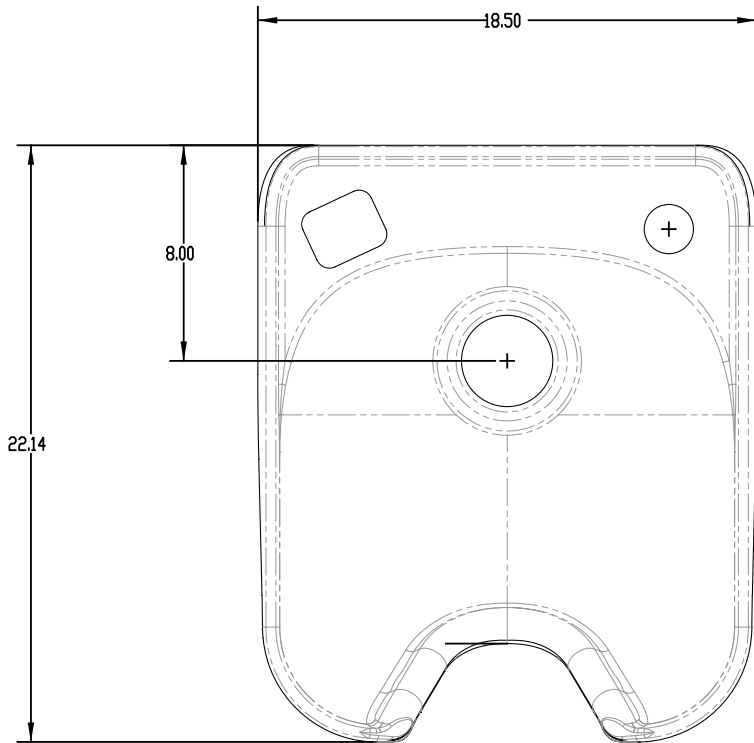
**Adjust-a-Sink®**

(866) 938-4608 | [www.adjustasink.com](http://www.adjustasink.com)

# -IMPORTANT INFORMATION FOR INSTALLERS-

**NOTE:** It is the responsibility of the installer to ensure that installation conforms to all local plumbing codes and regulations.

Before mounting bowl, consult with the owner to determine the most desirable neckrest and bowl height. Recommended neckrest height for Model #3050 Comfort Fit Shampoo Bowl is 34".



## INSTALLATION ASSEMBLY KEY

- |                               |                             |
|-------------------------------|-----------------------------|
| 1. Shampoo Sink- Model #3050  | 5. 5/16 Hex Bolt (Qty. 2)   |
| 2. Sink Bracket- Model #40540 | 6. Hex Nut                  |
| 3. Leveling Nut               | 7. Oversize Washer (Qty. 2) |
| 4. Leveling Bolt              |                             |

**Adjust-a-Sink®**

(866) 938-4608 | [www.adjustasink.com](http://www.adjustasink.com)